

R19IK3S-SPM169-P1

19" Intel® Core™ i5-7200U IP69K Stainless P Series Panel PC



KEY FEATURES

- Intel® Core™ i5-7200U, 2.50 GHz, Stainless Steel Panel PC
- Fanless cooling system
- SUS316 / AISI 316 stainless steel for food and chemical industries
- Full IP69K waterproof enclosure
- A true flat, easy-to-clean front surface with edge-to-edge design
- Waterproof sealed conduit pipe for cable protection
- Support VESA mount, and optional Yoke mount stand
- Support Glove/ Rain mode
- Optical bonding (optional)



SPECIFICATIONS

Display	
Resolution	1280x1024
Contrast Ratio	1000:1
View Angles	85,85,80,80
Touch / Glass	Projected Capacitive Multi Touch Screen
Size	19 inches
Panel Brightness	250 nits
Active Area	376.32x301.06 mm
System Specification	
Processor	Intel Core i5-7200U 2.5GHz (up to 3.1GHz) Intel Core i5-7300U 2.6GHz (up to 3.5GHz) (Optional)
Memory	1 x SO-DIMM, DDR4 2133 MHz, 4GB 8GB (Optional) 16GB (Optional)
Storage	1 x M.2 2242 SSD 128GB M.2 2242 SSD up to 512GB (Optional)
Ethernet controller	2 x Intel® Ethernet Controller
Security	TPM 2.0
Operating System	Windows 10 IoT Enterprise (64 bit) (Optional) Linux Ubuntu 20.04 (Optional)
WLAN	Support (Optional)
BT	Support (Optional)
Mechanical	
Dimension	468 x 395 x 57 mm
Mounting	VESA Mount Yoke Mount
Enclosure	Stainless Housing
Cooling System	Fanless design
Environment	
Operating Humidity	10% to 90% RH, Non-Condensing
Operating Temperature	0°C to 45°C
Storage Temperature	-20°C to 60°C
IP rating	IP69K
Certification	
Certification	CE, FCC
IO Ports	
USB Port	2 x USB3.2 Gen1x1 (Type-A)
Serial Port	1 x RS232/422/485 (Default RS232)
Video	1 x HDMI 1.4
LAN	2 x Giga LAN RJ45 Connector
Indicator	1 x LED Indicator on power button
Control	
Button	1 x Power Button

Accessory

Accessory

- 1 x Waterproof Conduit 1.5m
- 1 x Waterproof Conduit 0.3m
- 2 x Elbow for connect the conduit
- 1 x AC to DC power adapter with power cord
- 1 x D-sub9(male) to RJ45 adapter
- 1 x D-sub9(female) to RJ45 adapter
- 1 x External RJ45 male to male cable
- VESA screws

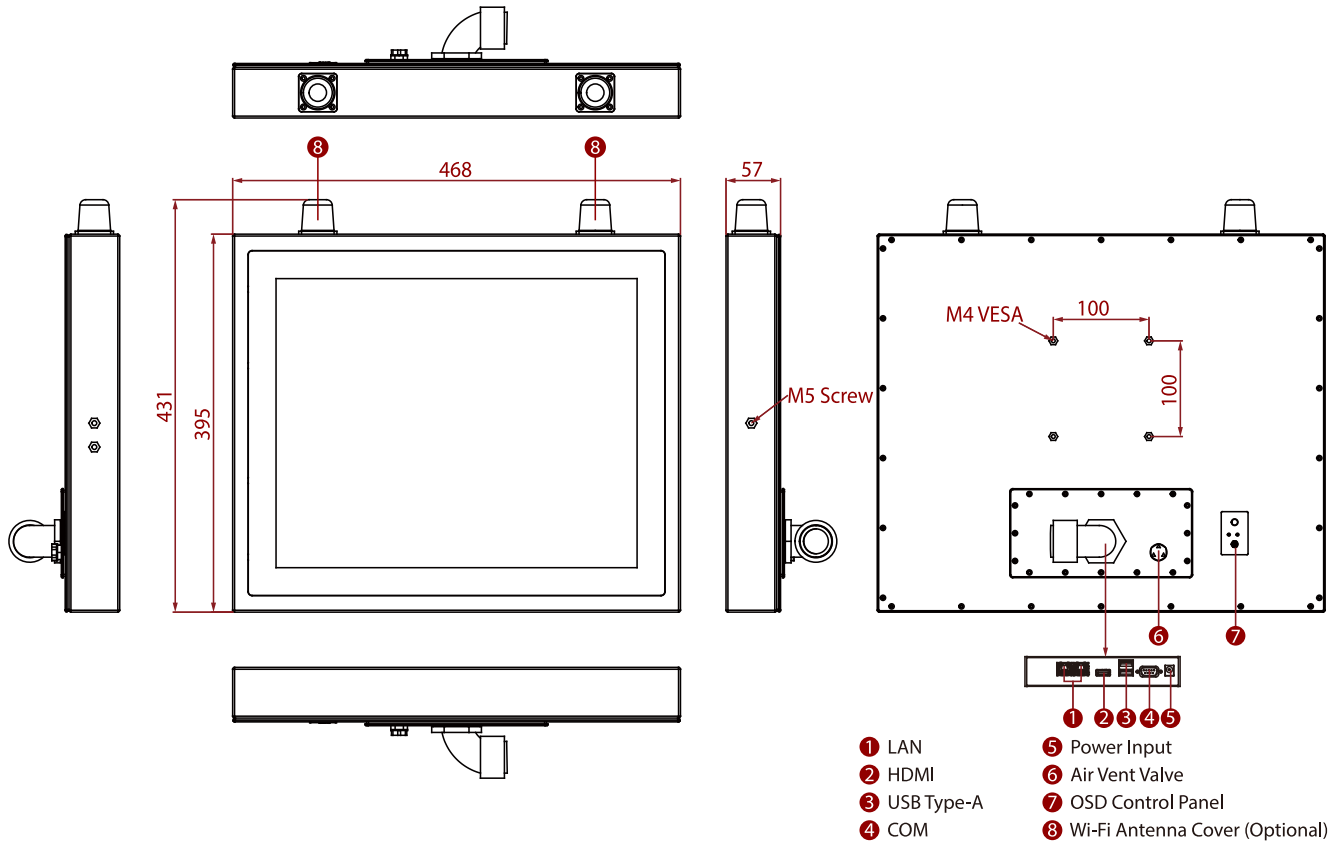
Optional Accessory

- 1 x Open wire cable for phoenix connector (Optional)
- Yoke mount stand kit (Optional)

Power

Power Rating 12V DC

DIMENSIONS UNIT:MM



NOTE

1. Yoke mount stand kit is an optional accessory.
2. Wi-Fi antenna is an optional feature.
3. The product shown in this datasheet is a standard model. For diagrams that contain customized or optional I/O, please contact the Winmate Sales Team for more information.