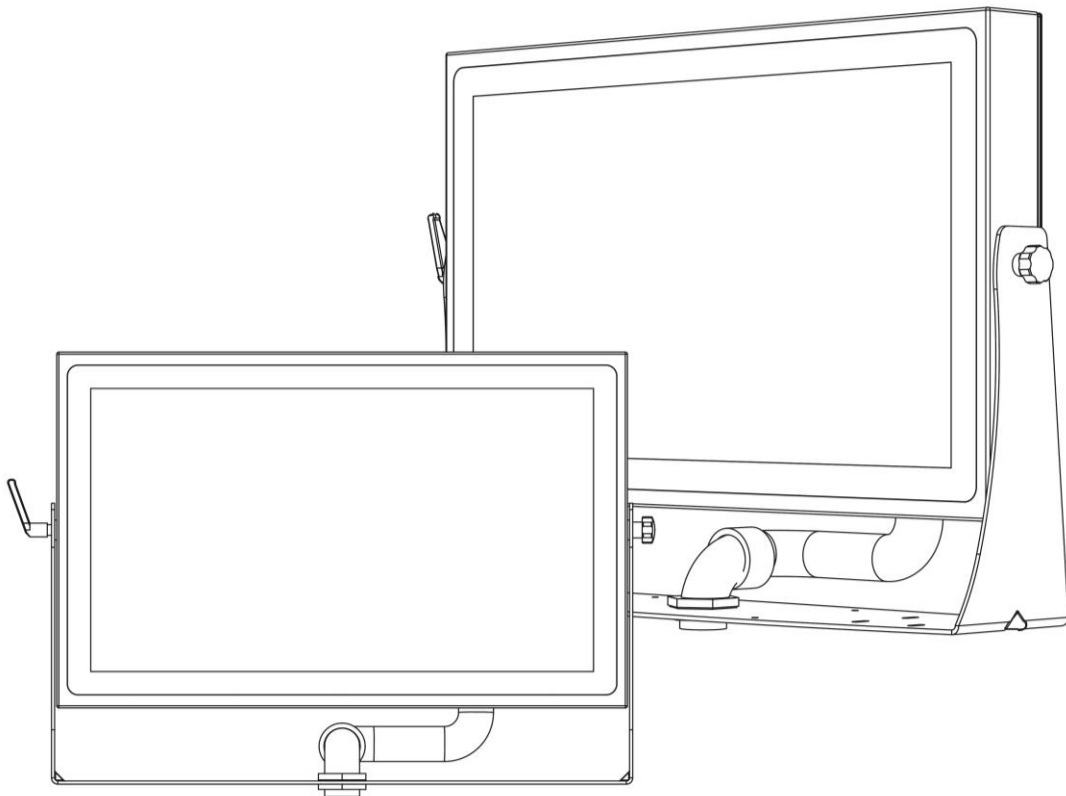


IP69K Stainless P Series Panel PC with Conduit Pipe

Intel® Core™ i5-7200U (3M Cache, up to 3.10 GHz)
Intel® Core™ i5-7300U (3M Cache, up to 3.50 GHz)

15"/ 19"/ 21.5"/ 23.8"



Model No. R15IK3S-SPC369-P1
R19IK3S-SPM169-P1
W22IK3S-SPA369-P1
W24IK3S-SPA269-P1

Quick Start Guide

Contents

Chapter 1: Introduction	6
1.1 Overview	6
1.2 Features	6
1.3 Package Content	7
1.4 Product Overview	8
1.5 Physical Buttons	10
1.6 Air Vent Valve	10
1.7 Connector Description	11
Chapter 2: Installation	12
2.1 Mounting	12
2.1.1 VESA Mount	12
2.1.2 Yoke Mount	12
2.2 I/O Cover and Conduit Pipe Installation	13
2.3 Conduit Pipe Removal	15
2.4 Wiring Requirements	15
2.5 Wiring Diagram	15
2.6 Connector Pin Assignments	16
2.6.1 Power Connector	16
2.6.2 HDMI Connector	17
2.6.3 LAN Connector	18
2.6.4 USB Connector	18
2.6.5 Serial Port Connector	18
Chapter 3: Getting Started	19
3.1 Connecting to Power Source	19
3.1.1 Connecting to AC Power Source	19
3.1.2 Connecting to DC Power Source (Optional)	20
3.2 Turning On/ Off the Device	20
3.3 How to Enable Watchdog	21
Chapter 4: Maintenance and Troubleshooting	22
4.1 Cleaning the Monitor	22
4.2 Basic Troubleshooting	22
Appendix	23
Appendix A: Hardware Specifications	23
Appendix B: Winmate Software Development Kit	24

FCC Statement



This device complies with part 15 FCC rules.

Operation is subject to the following two conditions:

- This device may not cause harmful interference.
- This device must accept any interference received including interference that may cause undesired operation.

This equipment has been tested and found to comply with the limits for a class "B" digital device, pursuant to part 15 of the FCC rules. These limits are designed to provide reasonable protection against harmful interference when the equipment is operated in a commercial environment. This equipment generates, uses, and can radiate radio frequency energy and, if not installed and used in accordance with the instruction manual, may cause harmful interference to radio communications. Operation of this equipment in a residential area is likely to cause harmful interference in which case the user will be required to correct the interference at his own expense.

European Union



Electromagnetic Compatibility Directive (2014/30/EU)

- EN55024: 2010/ A1: 2015
 - IEC61000-4-2: 2009
 - IEC61000-4-3: 2006+A1: 2007+A2: 2010
 - IEC61000-4-4: 2012
 - IEC61000-4-5: 2014
 - IEC61000-4-6: 2014
 - IEC61000-4-8: 2010
 - IEC61000-4-11: 2004
- EN55032: 2012/AC:2013
- EN61000-3-2:2014
- EN61000-3-3:2013

Low Voltage Directive (2014/35/EU)

- EN 60950-1:2006/A11:2009/A1:2010/A12:2011/ A2:2013

This equipment is in conformity with the requirement of the following EU legislations and harmonized standards. Product also complies with the Council directions.

Copyright Notice

No part of this document may be reproduced, copied, translated, or transmitted in any form or by any means, electronic or mechanical, for any purpose, without the prior written permission of the original manufacturer.

Trademark Acknowledgement

Brand and product names are trademarks or registered trademarks of their respective owners.

Disclaimer

Winmate Inc. reserve the right to make changes, without notice, to any product, including circuits and/or software described or contained in this manual in order to improve design and/or performance. We assume no responsibility or liability for the use of the described product(s) conveys no license or title under any patent, copyright, or masks work rights to these products, and make no representations or warranties that these products are free from patent, copyright, or mask work right infringement, unless otherwise specified. Applications that are described in this manual are for illustration purposes only. We make no representation or guarantee that such application will be suitable for the specified use without further testing or modification.

Warranty

Winmate Inc. warranty guarantees that each of its products will be free from material and workmanship defects for a period of one year from the invoice date. If the customer discovers a defect, we will, at his/her option, repair or replace the defective product at no charge to the customer, provide it is returned during the warranty period of one year, with transportation charges prepaid. The returned product must be properly packaged in its original packaging to obtain warranty service. If the serial number and the product shipping data differ by over 30 days, the in-warranty service will be made according to the shipping date. In the serial numbers the third and fourth two digits give the year of manufacture, and the fifth digit means the month (e. g., with A for October, B for November and C for December).

For example, the serial number 1W17Axxxxxxx means October of year 2017.

Customer Service

We provide a service guide for any problem by the following steps: First, visit the website of our distributor to find the update information about the product. Second, contact with your distributor, sales representative, or our customer service center for technical support if you need additional assistance.

You may need the following information ready before you call:

- Product serial number
- Software (OS, version, application software, etc.)
- Description of complete problem
- The exact wording of any error messages

In addition, free technical support is available from our engineers every business day. We are always ready to give advice on application requirements or specific information on the installation and operation of any of our products.

Advisory Conventions

Four types of advisories are used throughout the user manual to provide helpful information or to alert you to the potential for hardware damage or personal injury. These are Notes, Important, Cautions, and Warnings. The following is an example of each type of advisory.



Note:

A note is used to emphasize helpful information



Important:

An important note indicates information that is important for you to know.



Caution A Caution alert indicates potential damage to hardware and explains how to avoid the potential problem.

Attention Une alerte d'attention indique un dommage possible à l'équipement et explique comment éviter le problème potentiel.



Warning! An Electrical Shock Warning indicates the potential harm from electrical hazards and how to avoid the potential problem.

Avertissement! Un Avertissement de Choc Électrique indique le potentiel de chocs sur des emplacements électriques et comment éviter ces problèmes.



Alternating Current !The Protective Conductor Terminal (Earth Ground) symbol indicates the potential risk of serious electrical shock due to improper grounding.

Mise à le terre ! Le symbole de Mise à Terre indique le risqué potentiel de choc électrique grave à la terre incorrecte.

Safety Information



Warning! Always completely disconnect the power cord from your chassis whenever you work with the hardware. Do not make connections while the power is on. Sensitive electronic components can be damaged by sudden power surges. Only experienced electronics personnel should open the PC chassis.

Avertissement ! Toujours débrancher le cordon d'alimentation du chassis lorsque vous travaillez sur celui-ci. Ne pas brancher de connexions lorsque l'alimentation est présente. Des composants électroniques sensibles peuvent être endommagés par des sauts d'alimentation. Seulement du personnel expérimenté devrait ouvrir ces chassis.



Caution Always ground yourself to remove any static charge before touching the CPU card. Modern electronic devices are very sensitive to static electric charges. As a safety precaution, use a grounding wrist strap at all times. Place all electronic components in a static-dissipative surface or static-shielded bag when they are not in the chassis.

Attention Toujours vérifier votre mise à la terre afin d'éliminer toute charge statique avant de toucher la carte CPU. Les équipements électroniques modernes sont très sensibles aux décharges d'électricité statique. Toujours utiliser un bracelet de mise à la terre comme précaution. Placer toutes les composantes électroniques sur une surface conçue pour dissiper les charges, ou dans un sac anti-statique lorsqu'elles ne sont pas dans le chassis.

Chapter 1: Introduction

1.1 Overview

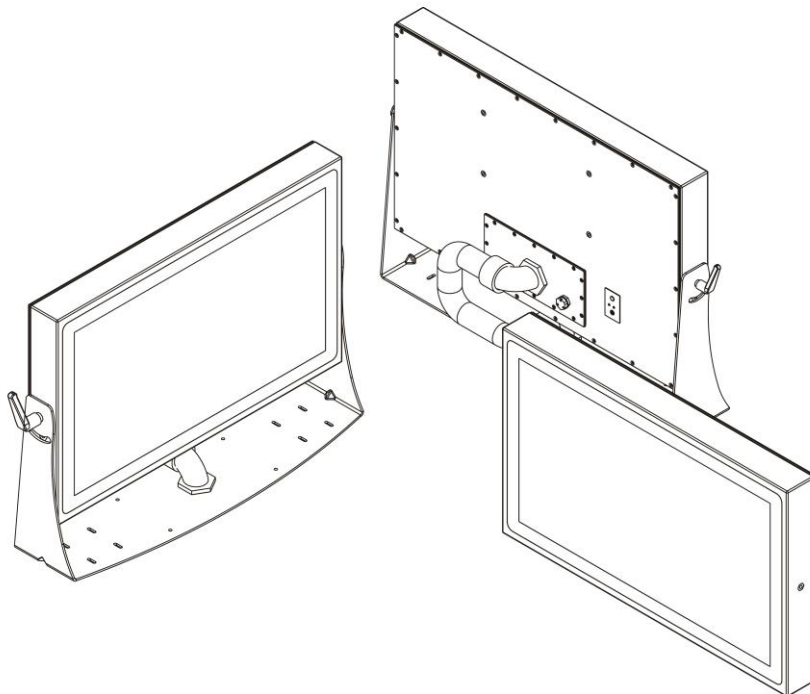
Congratulations on purchasing Winmate® IP69K Stainless P Series Panel PC.

Winmate P Series Panel PC features with a waterproof conduit pipe for added cable protection. The IP69K series is built to withstand extensive wash downs with corrosion resistance against cleaning agents, especially against close-range high-pressure, high temperature wash downs. The level of protection allows for easy cleaning and sterilization using water with temperatures of up to 80°C and pressure of up to 30 Bar. A custom-built waterproof conduit pipe was also provided for the customer with a cover plate, allowing for an additional layer of protection for the cables.

1.2 Features

The IP69K Stainless P Series Panel PC features:

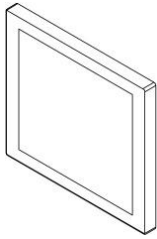
- 15"/ 19"/ 21.5"/ 23.8" LCD screen with projected capacitive multi-touch
- Intel® Core™ i5-7200U (3M Cache, up to 3.10 GHz)
- Intel® Core™ i5-7300U (3M Cache, up to 3.50 GHz)
- Full IP69K waterproof enclosure, good corrosion resistance
- Conduit pipe for additional cable protection
- Air vent valve
- Sleek bezel design with round corners
- SUS 316/ AISI 316 stainless steel for food and chemical industries
- Multiple mounting options: yoke mount and VESA mount



1.3 Package Content

Carefully remove the box and unpack your device. Please check if all the items listed below are inside your package. If any of these items are missing or damaged contact us immediately.

Factory shipment list:



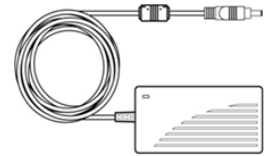
- **Panel PC**

Varies by product specifications



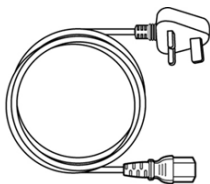
- **Quick Start Guide (Hardcopy)**

Part No. 91521110104R



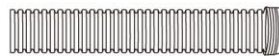
- **AC Adapter**

Part No. 922D084W12V1



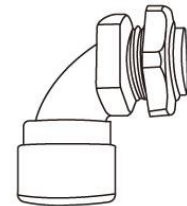
- **Power Cord**

Varies by country



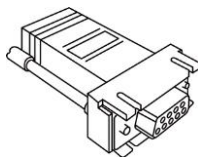
- **Waterproof Conduit 1.5m**

Part No. 9B000000011I



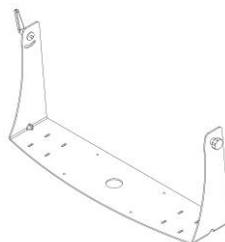
- **2 x Elbow for Connect the Conduit**

Part No. 9B000000011J



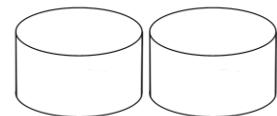
- **D-sub to RJ45 Adaptor for COM Port**

D-sub 9pin(M) to RJ45
Part No. 601100090000
D-sub 9pin(F) to RJ45
Part No. 601200090001



- **Yoke Mount Stand Kit**

Part No. 98K015A0000K(15")
Part No. 98K019A00006(19")
Part No. 98K021A00004(21.5")
Part No. 98K023A00002(23.8")



- **2 x EVA Foam**

Part No.91171110910H



- **Driver CD & User Manual**

Part No. 9171111104C

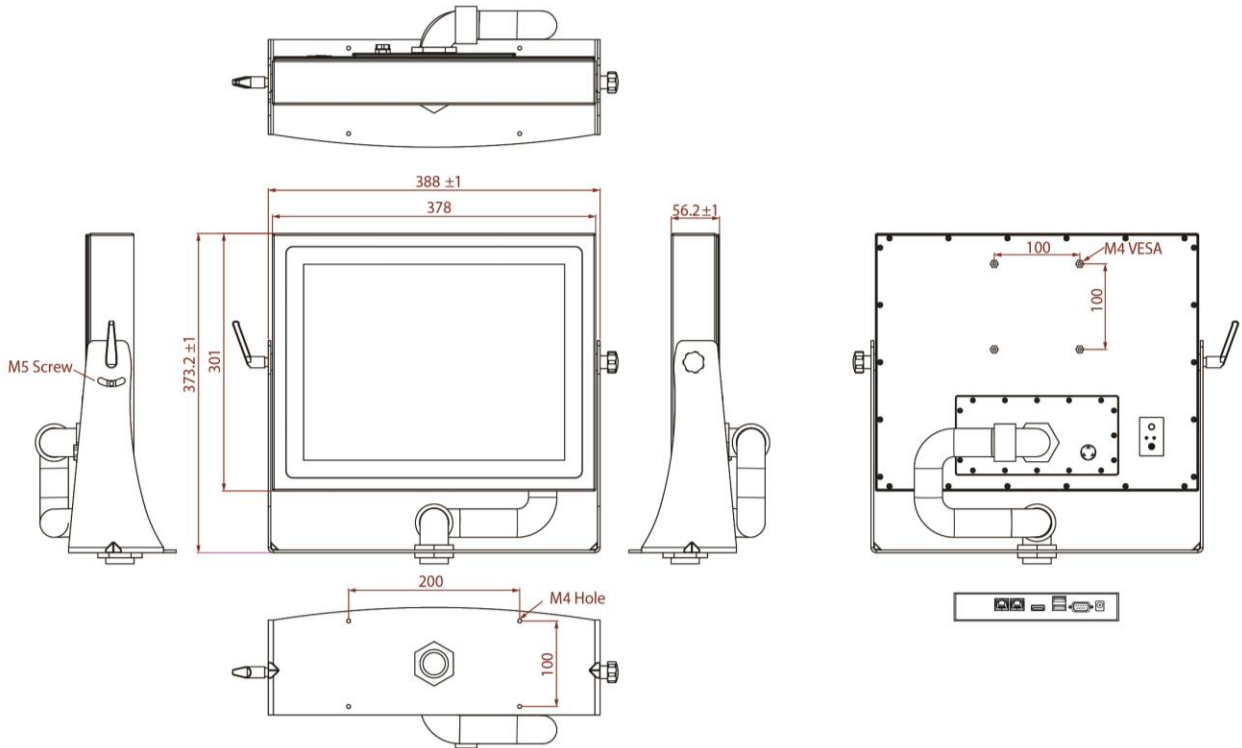
1.4 Product Overview

This section contains mechanical drawing of the IP69K Stainless P Series Panel PC. Notice that this is a simplified drawing and some components are not marked in detail.

Note 1: Yoke mount stand kit is an optional accessory.

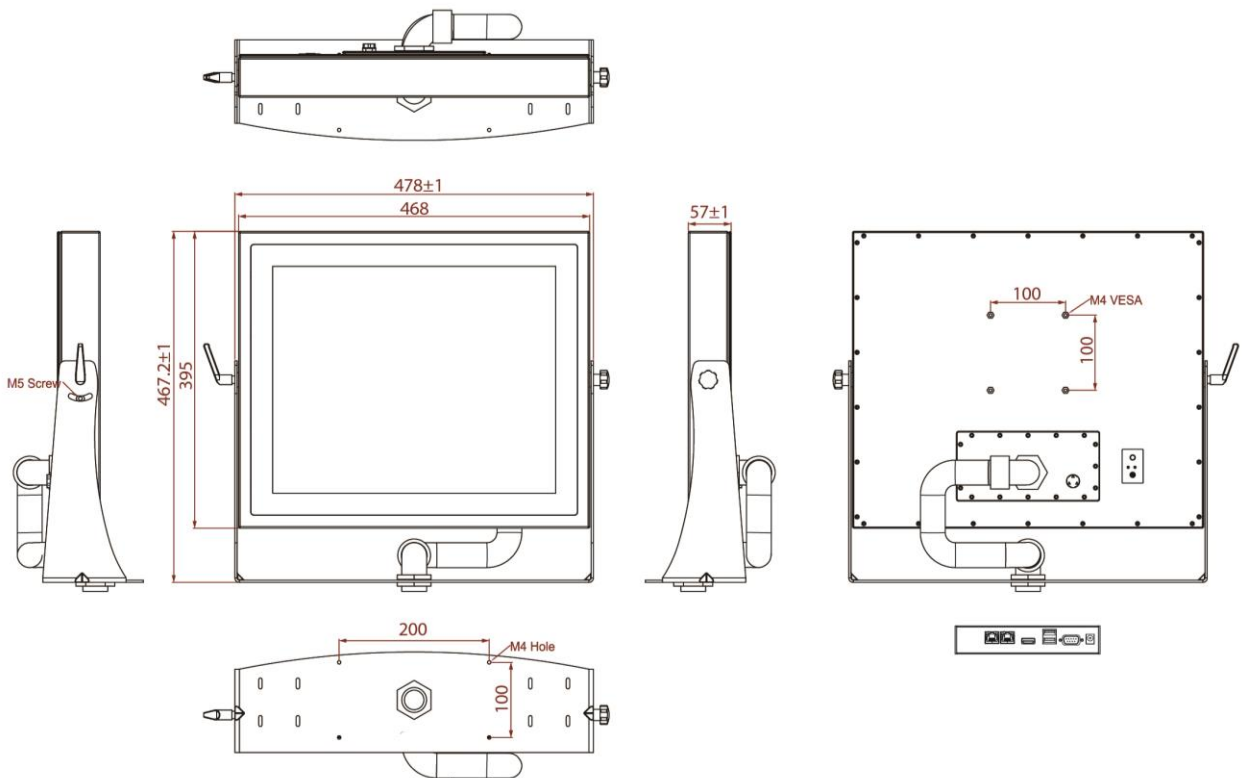
15", R15IK3S-SPC369-P1

Unit: mm



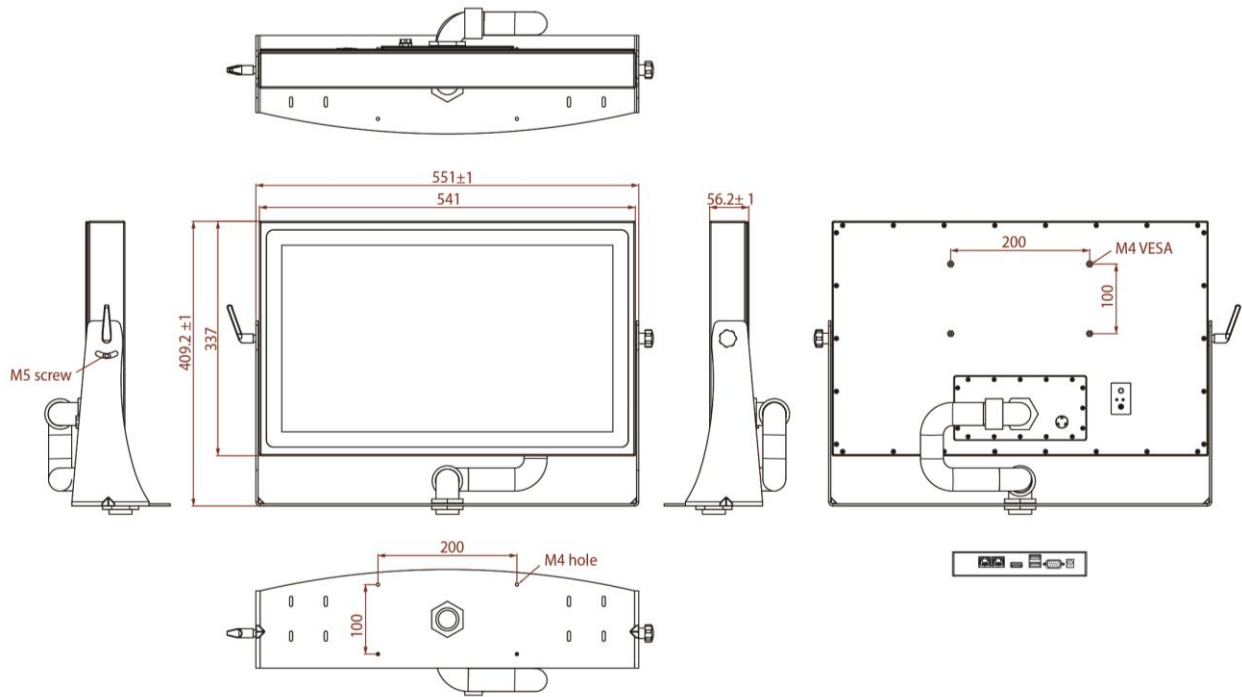
19", R19IK3S-SPM169-P

Unit: mm



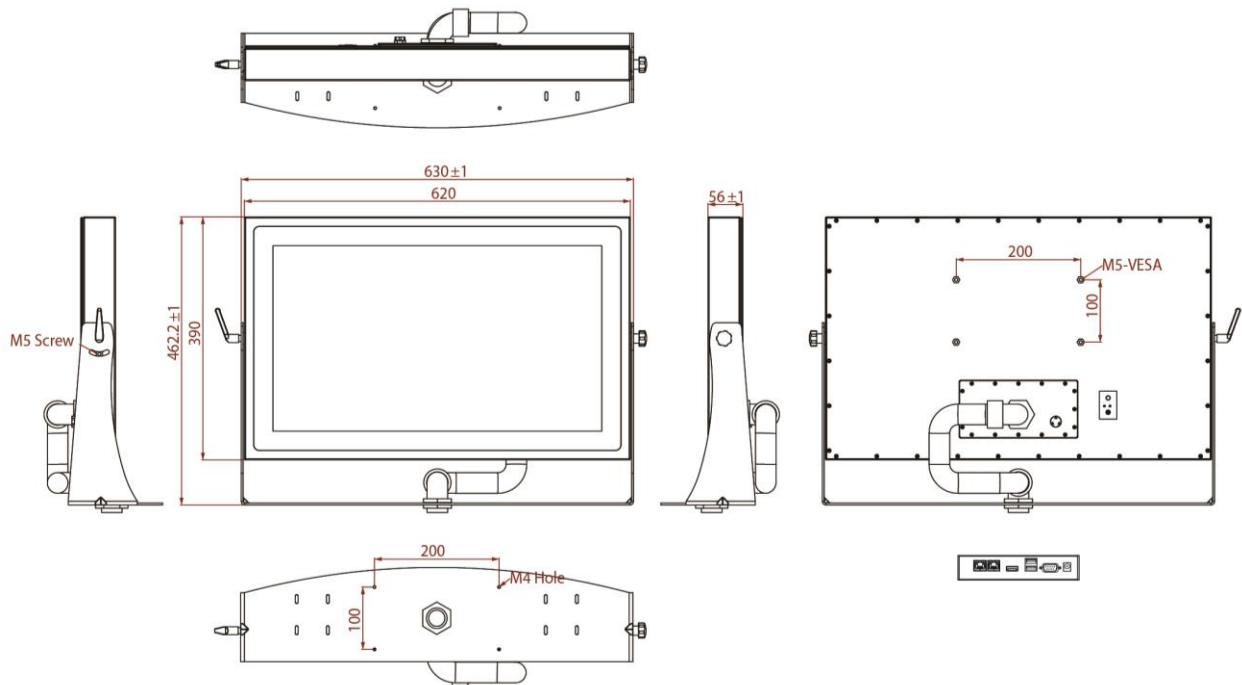
21.5", W22IK3S-SPA369-P1

Unit: mm



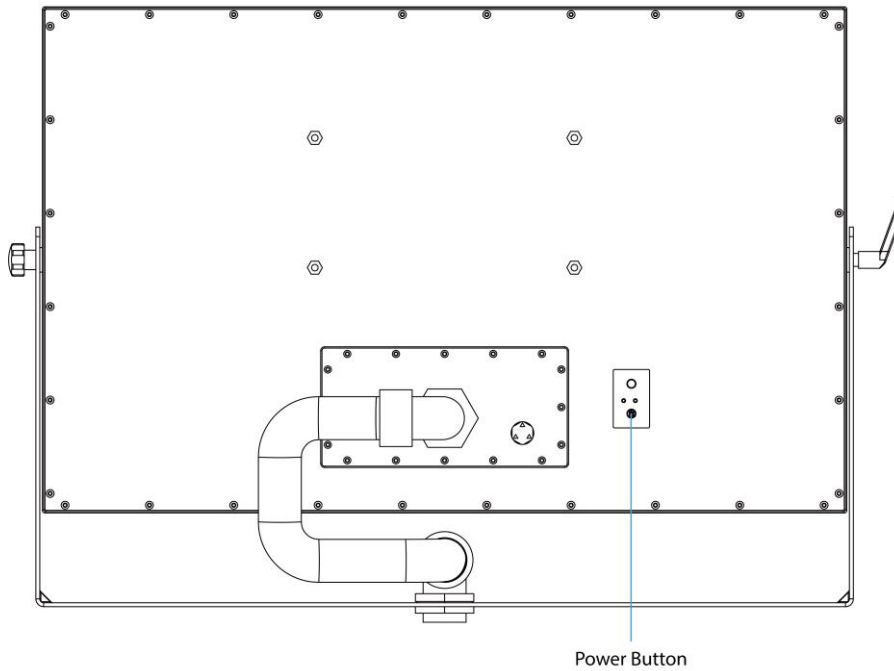
23.8", W24IK3S-SPA269-P

Unit: mm



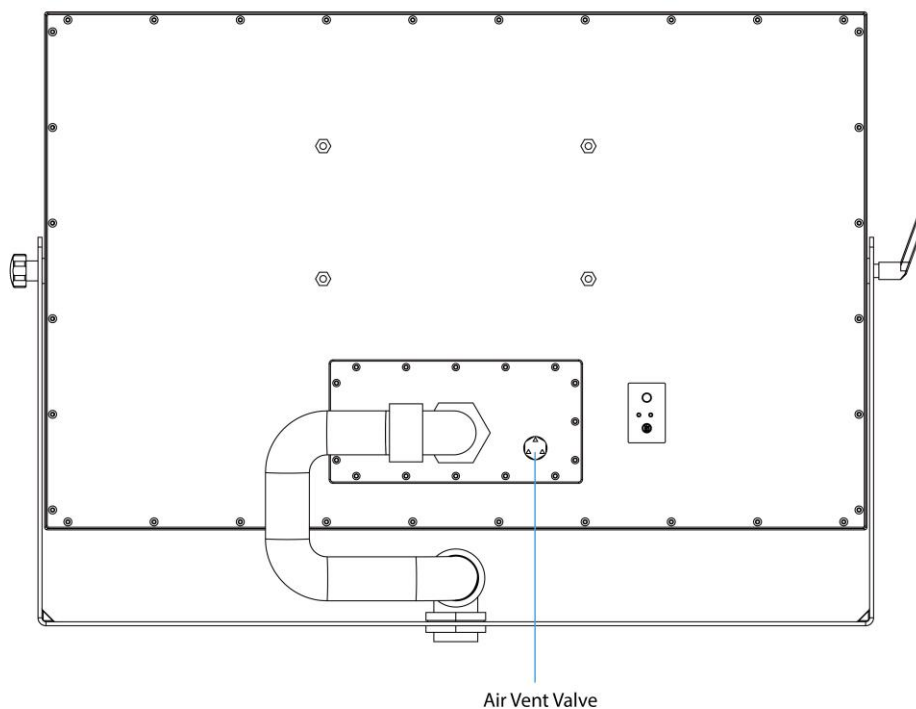
1.5 Physical Buttons

The P Series Panel PC has one Power physical button located on the rear side. Press the Power button to power on or power off the device.



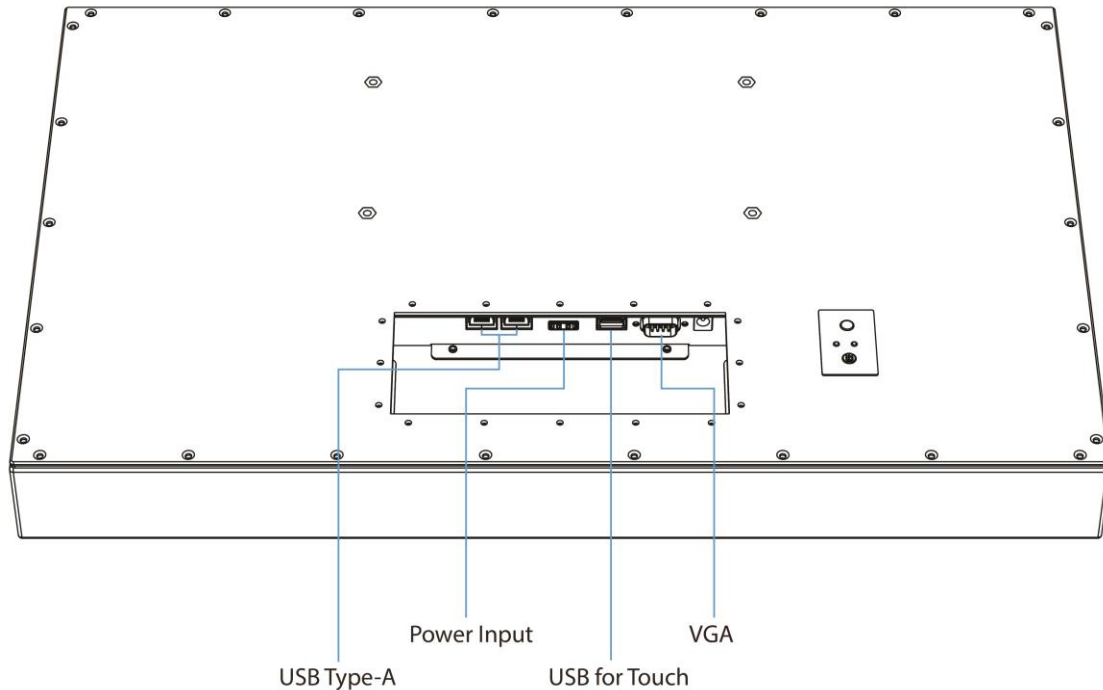
1.6 Air Vent Valve

The P Series Panel PC has an air vent valve that has an automatic mechanical system that controls and maintains pressure without the assistance of an operator. The air vent valve is a safety device that discharges air in order to avoid air related problems.






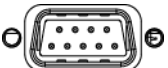

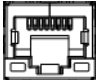
1.7 Connector Description

Terminal interfaces are located under the protection cover on rear side of the panel PC. To access the I/O connectors, please open the protection cover first.



Note: Notice that input and output connectors vary by product size and specifications.

Connector description:

Item	Description
	Power Jack – Provides power to the display, accepts 12 V DC power input.
	Terminal Block 3 Pin – Provides power to the display, accepts 12 V DC or 9 V DC to 36 V DC power input based on your order.
	HDMI - Transmits and protects copyrighted digital video and audio. Example: An HD tuner to an HD ready TV.
	RS-232/422/485 (Default RS232) – Serial interface connector controls/monitors devices and offers in addition digital inputs/outputs. Example: A printer or scanner to panel PC.
	USB for Touch - Connects USB for touch capabilities. Example: Touch to Display.
	RJ45 – Connects the panel PC device to Ethernet network.

Notice that power jack and terminal block connectors are mutually exclusive options, the choice is based on your order.

Chapter 2: Installation

Follow this quick installation procedure:

1. Mount your panel PC according to your application requirements (VESA, Yoke, Panel mount).
2. Connect all the cables to the panel PC.
3. Install I/O protection cover.
4. Route cables through waterproof conduit pipe. And then fix the conduit pipe to the panel PC.
5. To ensure enclosure rating protection make sure the conduit pipe is firmly fixed and tightened.

2.1 Mounting

The IP69K Stainless P Series Panel PC devices come with different mounting options suitable for most of the industrial and commercial applications.

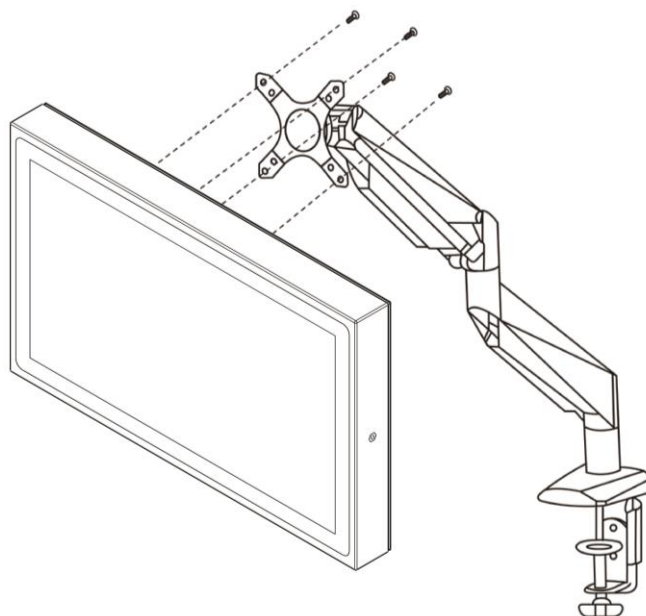
2.1.1 VESA Mount

The panel PC has VESA mount holes on the rear side. Follow instructions below to mount the unit with VESA Mount bracket (not supplied by Winmate).

Size	VESA Plate Dimensions	Screw Hole Diameter
15", 19"	100 x 100 mm	VESA M4x5 mm
21.5"	100 x 100 mm	VESA M4x6 mm
23.8"	100 x 100 mm	VESA M4x6 mm

Installation Instruction

1. Screw VESA bracket to the fixture (ex. swing arm) with four VESA screws.
2. Place the device on VESA bracket.

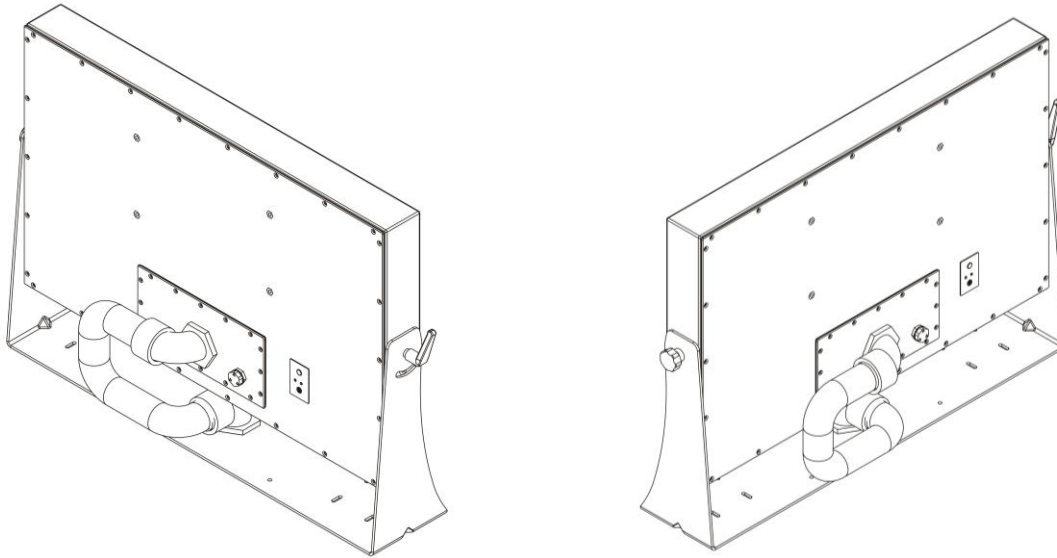


2.1.2 Yoke Mount

Yoke Mount solution allows installing the display on the bracket. Notice that Yoke Mount Stand is an optional accessory available for order from Winmate.

Installation instruction

1. Place the panel PC on the bracket stand, aiming screw holes for each other.
2. Secure screws to fix the device upon the bracket stand.
3. Firmly secure the locking handle to the panel PC.



2.2 I/O Cover and Conduit Pipe Installation

The unit is available with I/O cover and waterproof conduit pipe for connectors and cable protection (required to maintain enclosure protection rating). Conduit pipe is a part of a complete assembly. The conduit pipe protects cables and gives users flexibility in selection of data, video, and power cables, depending on customer needs.





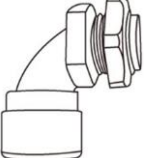


Caution The I/O cover and waterproof conduit pipe required to maintain enclosure protection rating.

Attention Le couvercle et le tuyau de conduit imperméable requis pour maintenir le degré de protection du boîtier.

Conduit Pipe Components

Before you start installing the pipe, be sure that you have the following components:

Item	Description
	Slip Nut To secure "L" fitting adaptors.
	O-Ring Rubber / Gasket To maintain the IP Rating between equipment and cable.
	Conversion reducers To convert thread forms and size between equipment and cable entry devices.
	Locknuts To secure adaptors / reducers, and stopper plugs into equipment.
	Conduit Elbow To protect cables when installed in confined spaces where the cable may be bending. This threaded 90-degree bends are available with male connection threads.

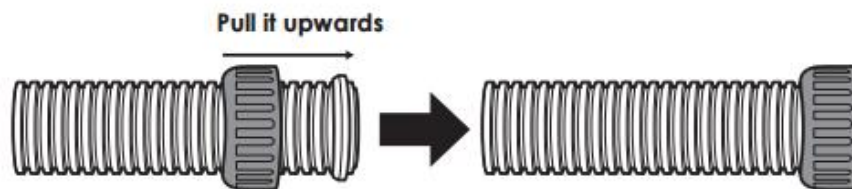


EVA Foam

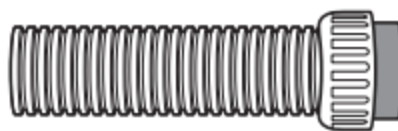
An extra layer of protection to prevent moisture from travelling through the conduit pipe into the Panel PC.

Installing the Conduit Pipe

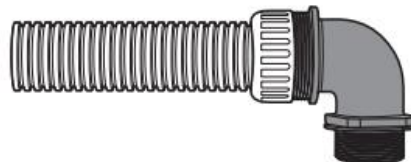
1. Insert the slip nut followed by the O-ring rubber/ gasket into the tube.
2. Adjust the location of O-ring rubber and pull the slip nut into the O-ring rubber and tighten up to ensure the waterproof seal.



3. Install the conversion reducers.



4. Place the threaded 90-degree bends into the slip nut and then fasten it.

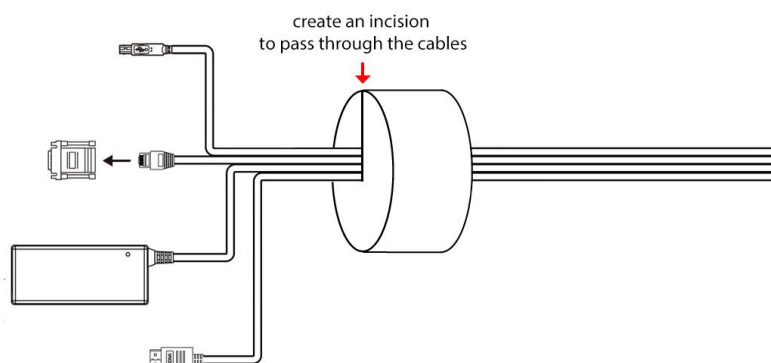


To install I/O cover and Conduit Pipe

1. Connect cables to connectors. Conduit assembly may include all possible cables that might be needed. If not all cables are needed, they may be cut and removed from the conduit before installation.
2. After passing the cables through the conduit pipe, create an incision on the EVA foam to allow for cables to pass through and insert the EVA foam into the conduit elbow.
3. Position the I/O cover on the rear of the panel PC with the Conduit Elbow pointing towards the center of the panel PC.
4. Install the provided ten sealing screws and tighten evenly.
5. Install other conduit pipe end in an equipment enclosure suitably rated for application environment.

The EVA Foam usage

Create an incision lengthwise on the EVA foam to pass through the cables.



2.3 Conduit Pipe Removal

Removal Instructions

1. Firmly hold the elbow twist grip with one hand.
2. Twist the elbow counterclockwise.
3. Pull the conduit out from the elbow.

2.4 Wiring Requirements

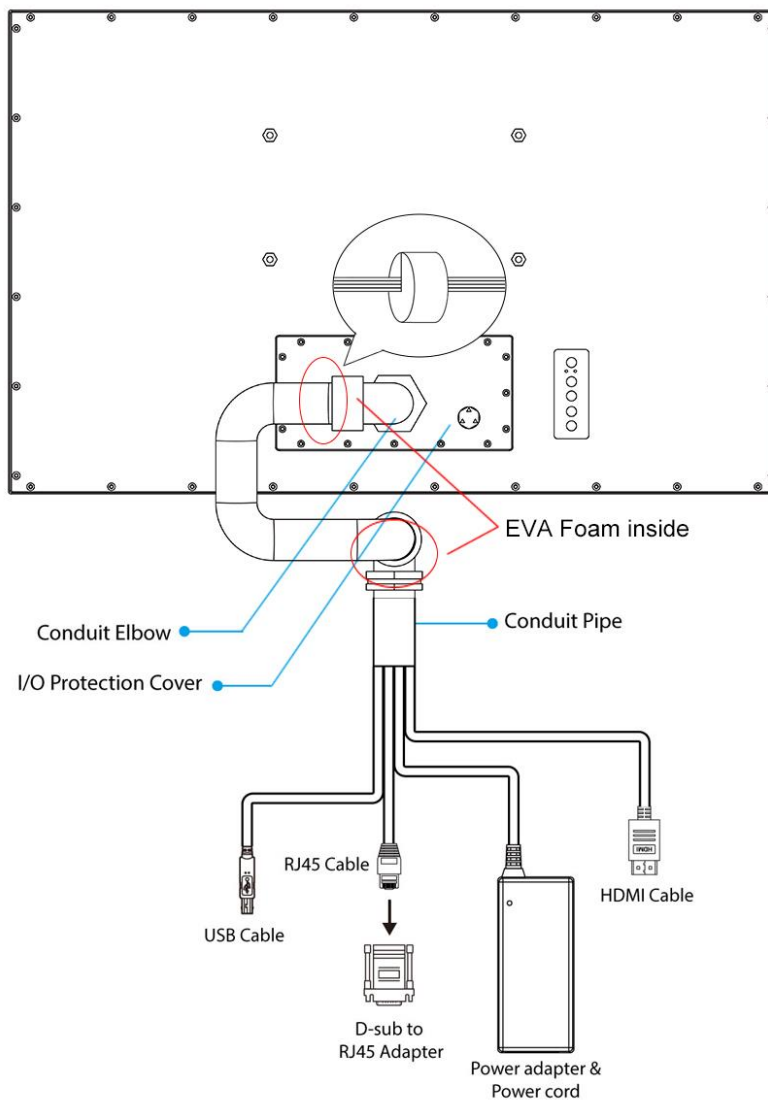
The following common safety precautions should be observed before installing any electronic device:

- Strive to use separate, non-intersecting paths to route power and networking wires. If power wiring and device wiring paths must cross make sure the wires are perpendicular at the intersection point.
- Keep the wires separated according to interface. The rule of thumb is that wiring that shares similar electrical characteristics may be bundled together.
- Do not bundle input wiring with output wiring. Keep them separate.
- When necessary, it is strongly advised that you label wiring to all devices in the system.
- Do not run signal or communication wiring and power wiring in the same conduit. To avoid interference, wires with different signal characteristics (i.e., different interfaces) should be routed separately.
- Be sure to disconnect the power cord before installing and/or wiring your device.
- Verify the maximum possible current for each wire gauge, especially for the power cords. Observe all electrical codes dictating the maximum current allowable for each wire gauge.
- If the current goes above the maximum ratings, the wiring could overheat, causing serious damage to your equipment.
- Be careful when handling the unit. When the unit is plugged in, the internal components generate a lot of heat which may leave the outer casing too hot to touch.

2.5 Wiring Diagram

This P Series Panel PC has waterproof conduit pipe and I/O cover to ensure protection rating. Please connect cables first, and then install I/O cover and conduit pipe.

Wiring Diagram



Note: Please use RJ45 to D-Sub9 Adapter to connect Serial Interfaces cable to P Series Panel PC.

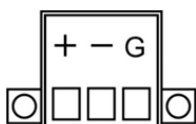
2.6 Connector Pin Assignments

This P Series Panel PC is equipped with power connector, HDMI connector and USB connector for touch. The pin assignments of the connectors are described in this section.

2.6.1 Power Connector

The P Series Panel PC has either one 3-pin terminal block connector (phoenix type) power connector that accepts 12 V DC or 9 V DC to 36 V DC based on your order, or one power jack connector that accepts 12 V DC power input power based on your order.

Pin assignment and signal name of the 3-pin terminal block connector (phoenix type)



**Voltage**

Minimum Voltage 11.4V
 Maximum Voltage 12.6V
 Maximum Current 4.2A

**Voltage**

Minimum Voltage 9V
 Maximum Voltage 36V
 Maximum Current 6.6A

Pin assignment and signal name of the DC power jack connector

**Voltage**

Minimum Voltage 11.4V
 Maximum Voltage 12.6V
 Maximum Current 4.2A

2.6.2 HDMI Connector

The P Series Panel PC has one HDMI1.4a connector for video and audio. Plug HDMI signal cable to the HDMI connector on the rear side of PC system, and plug the other end to the monitor.

Pin assignment and signal names for HDMI1.4a connector

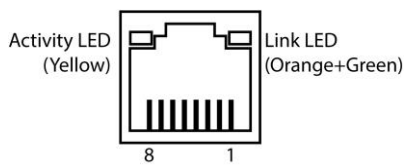


Pin №	Signal Name	Pin №	Signal Name
1	HDMI_RX2+	2	GND
3	HDMI_RX2-	4	HDMI_RX1+
5	GND	6	HDMI_RX1-
7	HDMI_RX0+	8	GND
9	HDMI_RX0-	10	HDMI_RXC+
11	GND	12	HDMI_RXC-
13	HDMI_CON_CEC	14	NC
15	HDMI_CON_SCL	16	HDMI_CON_SDA
17	GND	18	+5V_HDMI
19	HDMI_CON_HP		

2.6.3 LAN Connector

The panel PC has two RJ45 connectors that support 10/100/1000 Mbps Ethernet interface for connecting to the internet.

Pin assignment and signal names of LAN connector

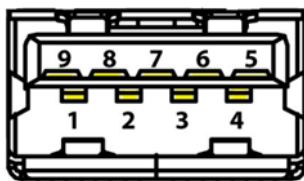


Pin №	Signal Name	Pin №	Signal Name
1	TX1+	2	TX1-
3	TX2+	4	TX2-
5	TX3+	6	TX3-
7	TX4+	8	TX4-

2.6.4 USB Connector

The panel PC has two USB 3.0 connectors. Use USB cable to connect mouse, printer or other external devices to your Panel PC.

Pin assignment and signal names of USB 3.0 connector

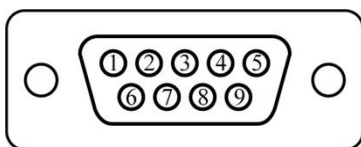


Pin №	Signal Name	Pin №	Signal Name
1	+5V	2	USB_D-
3	USB_D+	4	GND
5	STDA_SSRX-	6	STDA_SSRX+
7	GND_DRAIN	8	STDA_SSTX-
9	STDA_SSTX+		

2.6.5 Serial Port Connector

Use COM1 serial port connector to connect your Panel PC to external devices such as mouse, modem or printer. You can configure serial port settings via jumpers located on the motherboard.

Pin assignment and signal names of serial port connector



Pin №	RS-232	RS-422	RS-485
1	DCD	TxD-	D-
2	RXD	TxD+	D+
3	TXD	RxD+	NC
4	DTR	RxD-	NC
5	GND	GND	GND
6	DSR	NC	NC
7	RTS	NC	NC
8	CTS	NC	NC
9	RI	NC	NC

Chapter 3: Getting Started

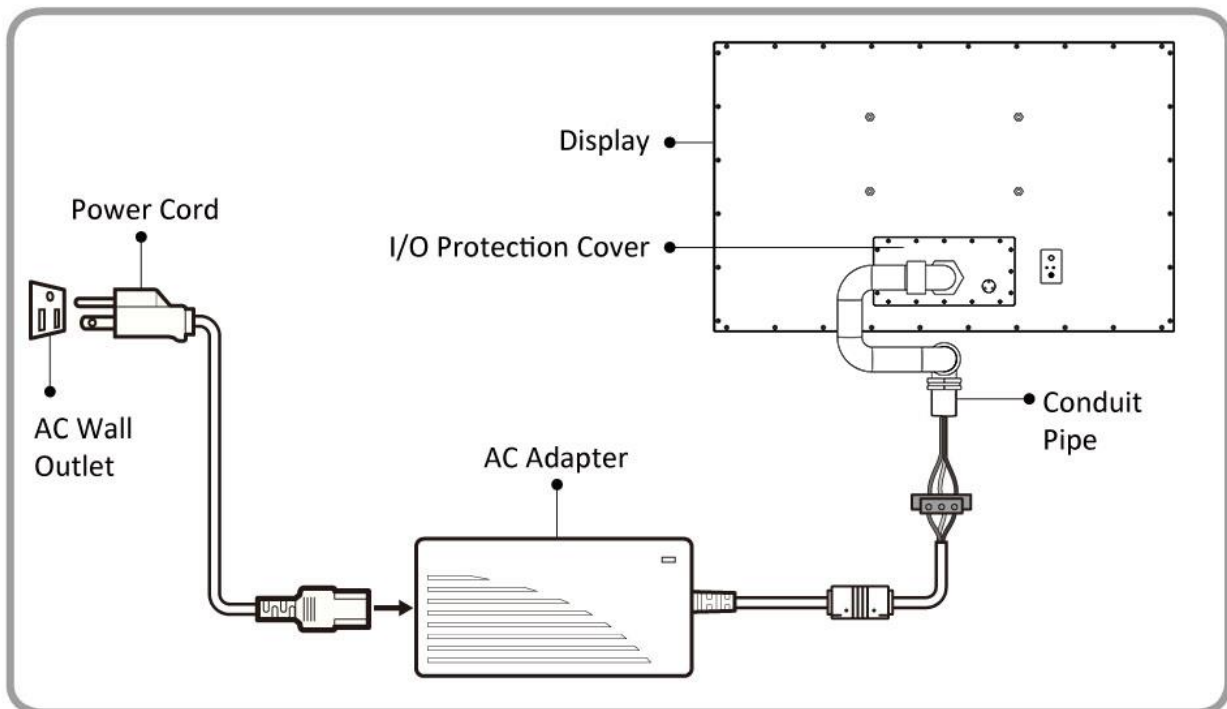
3.1 Connecting to Power Source

The P Series Panel PC has either one 3-pin terminal block connector (phoenix type) power connector that accepts 12 V DC or 9~36 V DC or one power jack connector that accepts 12 V DC power input power based on your order.

3.1.1 Connecting to AC Power Source

Follow the following steps to power on your device (with terminal block connector):

1. Install conduit pipe and I/O cover following the procedure described in the previous sections.
2. Connect open wires of the AC Adapter included in the package to the terminal block connector on the display.
3. Connect power cord to the other side of the AC Adapter.
4. Plug the power cord to the AC outlet.



Follow the following steps to power on your device (with terminal block connector):

5. Install conduit pipe and I/O cover following the procedure described in the previous sections.
6. Connect open wires of the AC Adapter included in the package to the terminal block connector on the display.
7. Connect power cord to the other side of the AC Adapter.
8. Plug the power cord to the AC outlet.

AC Adapter specifications and panel PC power consumption vary by LCD panel size.

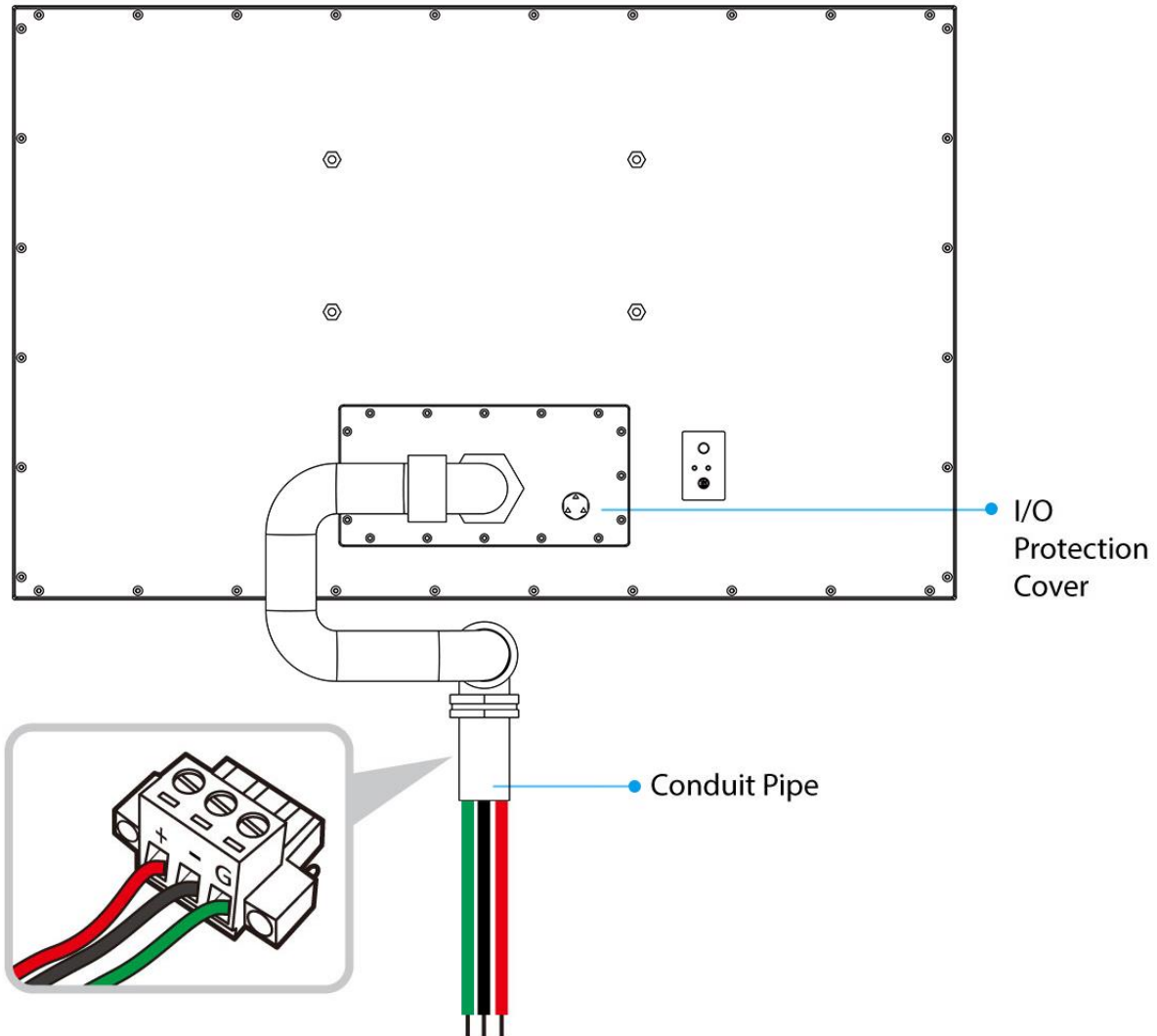
Size	15"	19"	21.5"	23.8"
AC Adapter	12V/ 84W	12V/ 84W	12V/ 84W	12V/ 84W
Power Consumption*	53W (typ.)	59W (typ.)	66W (typ.)	61W (typ.)

(Power consumption was measured at max. backlight and high CPU load)

3.1.2 Connecting to DC Power Source (Optional)

Follow the following steps to power on your device:

1. Connect the 3-pin terminal block.
2. Screw the Terminal block to fix the cable.
3. Connect terminal block to the display.
 - + Connect to power supply until 0V
 - Connect to power supply until it get +9~36V DC
4. The device is ready to work once is connected to the source of power.



3.2 Turning On/ Off the Device

After connecting your devices to the source of power, press power button located on the OSD panel at the rear side of the panel PC.





Important: When powering on the device for the first time, please make sure there's no interruption during the Windows setting up process, for example, accidentally powering off. If it happened, please access the recovery menu by pressing **Fn6** button on the external keyboard to initiate recovery process.

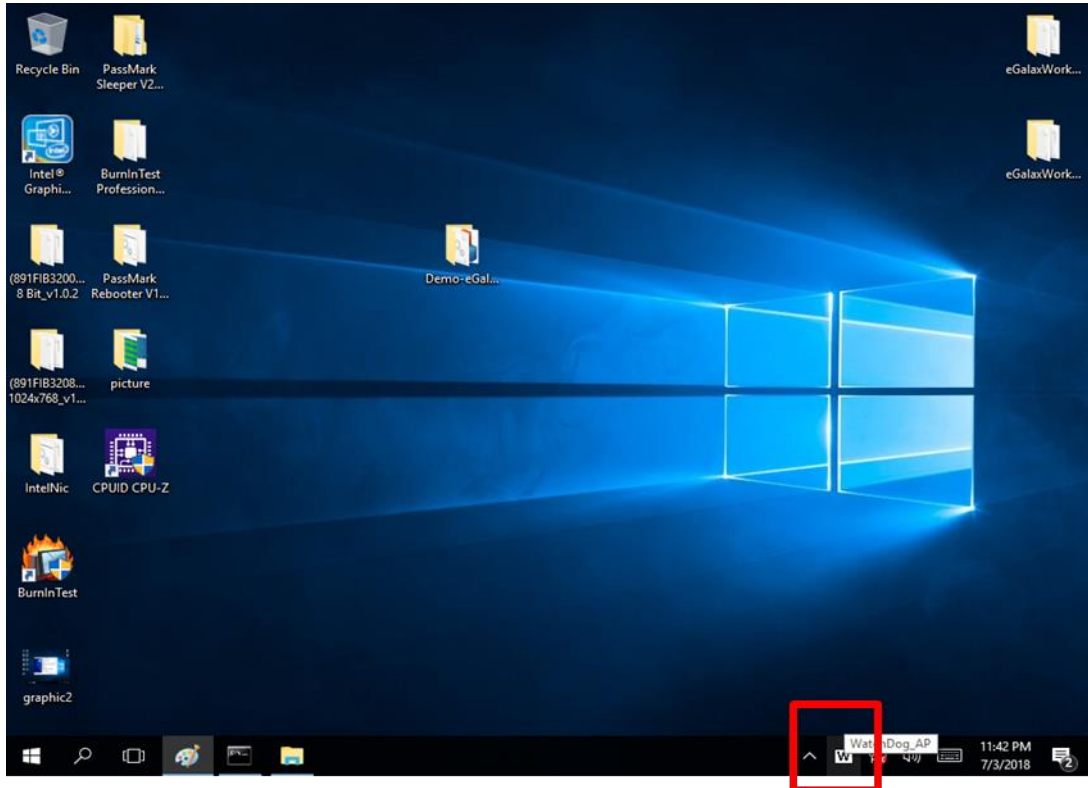
To shut down your device, disconnect the power cord and the device will automatically turn off.

3.3 How to Enable Watchdog

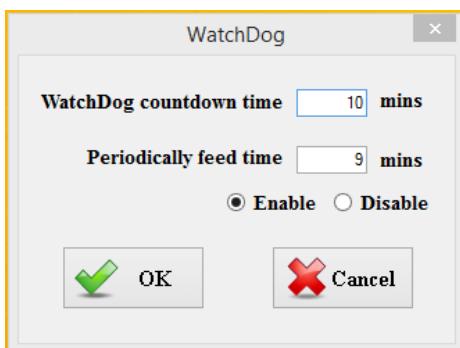
To enable Watchdog, you need to download Winmate Watchdog utility. Find more information on Watchdog in “Watchdog Guide” that you can download from Winmate Download Center or File Share. Refer to the User Manual for more details.

To enable watchdog in Watchdog AP follow the instructions below:

1. On the right bottom side of the desktop screen, click  **triangle button** to show hidden icons.
2. Click  icon to open Watchdog utility.



3. In Watchdog utility window set countdown time and periodically feed time, or disable watchdog.



Example:

Every 10 min watchdog will monitor the system, in case any error occurs the system will restart automatically when the countdown time reaches 0.

Every 9 min watchdog timer will be reset to 10 min.

Setting	Description
Watchdog Countdown Time	The system automaticity restarts when this countdown time reaches zero. <i>Default: 10 min</i>
Periodically Feed Time	To set a cycle time to automatically reset watchdog timer. <i>Default: 9 min</i>
Enable / Disable	Enable or disable watchdog. <i>Default: Enable</i>

Chapter 4: Maintenance and Troubleshooting

4.1 Cleaning the Monitor



Note: The IP69K Stainless Panel PC withstands regular intense cleaning and could hold up against steam and high-pressure water. The devices are able to sustain water temperatures up to 80°C and a water jets.

Before cleaning:

- Make sure the device is turned off.
- Disconnect the power cable from any AC outlet.

When cleaning:

- Use water up to 80°C to clean the housing.
- Wipe the screen with a clean, soft, lint-free cloth. This removes dust and other particles.
- The display area is highly prone to scratching. Do not use ketene type material (ex. Acetone), Ethyl alcohol, toluene, ethyl acid or Methyl chloride to clear the panel. It may permanently damage the panel and void the warranty.
- If it is still not clean enough, apply a small amount of non-ammonia, non-alcohol based glass cleaner onto a clean, soft, lint-free cloth, and wipe the screen.

Don not use oil directly on the display screen. If droplets are allowed to drop on the screen, permanent staining or discoloration may occur.

4.2 Basic Troubleshooting

Problem	Solution
There is a black dot or dead pixel dot on the screen	A missing pixel does not constitute an out of spec. defective product
Cannot turn power on	Turn off the power supply, and check that the AC cord or DC cord are securely inserted. After checking, turn on the power supply again.
There are spots on the screen	There may be electrical distortion from vehicles, trains, high voltage lines or fluorescent lamps.
Bad color	Color density or tint control may not be adjusted properly (Check the adjusted value of image.)
Image appears and disappears	Input may not be connected properly.
When changing the screen size, the top and bottom part of the screen does not show images	When using a video software program (such as a cinema size program) with a screen wider than one in the 16:9 mode, blank areas separate from the images are formed at the top and bottom of the screen.
Image contour flickers	Due to the characteristics of the display control, contour of animated parts of images may seem to flicker, but that is not a breakdown.

Appendix

Appendix A: Hardware Specifications

	Model Name			
	R15IK3S-SPC369-P1	R19IK3S-SPM169-P1	W22IK3S-SPA369-P1	W24IK3S -SPA269-P1
Display				
Size	15"	19"	21.5"	23.8"
Resolution	1024 x 768	1280 x 1024	1920 x 1080	1920 x 1080
Brightness	300 nits (typ.)	250 nits	250 nits (typ.)	250 nits (typ.)
Contrast Ratio	2000:1 (typ.)	1000:1 (typ.)	3000:1 (typ.)	3000:1 (typ.)
Viewing Angle	-88~88(H); -88~88(V)	85~85 (H); -80~80(V)	-89~89 (H); -89~89(V)	-89~89 (H); -89~89(V)
Touch	Projected Capacitive Multi-Touch (PCAP)	Projected Capacitive Multi-Touch (PCAP)	Projected Capacitive Multi-Touch (PCAP)	Projected Capacitive Multi-Touch (PCAP)
System Specification				
CPU	Intel® Core™ i5-7200U (3M Cache, up to 3.10 GHz), Intel® Core™ i5-7300U (3M Cache, up to 3.50 GHz)	Intel® Core™ i5-7200U (3M Cache, up to 3.10 GHz), Intel® Core™ i5-7300U (3M Cache, up to 3.50 GHz)	Intel® Core™ i5-7200U (3M Cache, up to 3.10 GHz), Intel® Core™ i5-7300U (3M Cache, up to 3.50 GHz)	Intel® Core™ i5-7200U (3M Cache, up to 3.10 GHz), Intel® Core™ i5-7300U (3M Cache, up to 3.50 GHz)
System Memory	1 x SO-DIMM, DDR4 2133 MHz, 4GB 8 GB (Optional) 16 GB (Optional)	1 x SO-DIMM, DDR4 2133 MHz, 4GB 8 GB (Optional) 16 GB (Optional)	1 x SO-DIMM, DDR4 2133 MHz, 4GB 8 GB (Optional) 16 GB (Optional)	1 x SO-DIMM, DDR4 2133 MHz, 4GB 8 GB (Optional) 16 GB (Optional)
Storage	Default 1 x M.2 2242 SSD 64 GB (Up to 512 GB), 2 x SATA III support RAID 0,1 (Optional)	Default 1 x M.2 2242 SSD 64 GB (Up to 512 GB), 2 x SATA III support RAID 0,1 (Optional)	Default 1 x M.2 2242 SSD 64 GB (Up to 512 GB), 2 x SATA III support RAID 0,1 (Optional)	Default 1 x M.2 2242 SSD 64 GB (Up to 512 GB), 2 x SATA III support RAID 0,1 (Optional)
Expansion	1 x M.2 2242 B-key Slot (for SSD) 1 x M.2 2232 E-Key Slot (for half-size WiFi module)	1 x M.2 2242 B-key Slot (for SSD) 1 x M.2 2232 E-Key Slot (for half-size WiFi module)	1 x M.2 2242 B-key Slot (for SSD) 1 x M.2 2232 E-Key Slot (for half-size WiFi module)	1 x M.2 2242 B-key Slot (for SSD) 1 x M.2 2232 E-Key Slot (for half-size WiFi module)
Ethernet Controller	Intel® Ethernet Controller I211-AT + Intel® Ethernet Connection I219-LM	Intel® Ethernet Controller I211-AT + Intel® Ethernet Connection I219-LM	Intel® Ethernet Controller I211-AT + Intel® Ethernet Connection I219-LM	Intel® Ethernet Controller I211-AT + Intel® Ethernet Connection I219-LM
Security	TPM 2.0	TPM 2.0	TPM 2.0	TPM 2.0
Operating System	Windows 10 IoT Enterprise (Optional), Ubuntu 18.04 (Optional)	Windows 10 IoT Enterprise (Optional), Ubuntu 18.04 (Optional)	Windows 10 IoT Enterprise (Optional), Ubuntu 18.04 (Optional)	Windows 10 IoT Enterprise (Optional), Ubuntu 18.04 (Optional)
Input/ Output Connectors				
Power	1 x Terminal Block 3 pin	1 x Terminal Block 3 pin	1 x Terminal Block 3 pin	1 x Terminal Block 3 pin
LAN	2 x Giga LAN RJ45 Connector	2 x Giga LAN RJ45 Connector	2 x Giga LAN RJ45 Connector	2 x Giga LAN RJ45 Connector
Serial Port	1 x RS232/422/485 (Default RS232)	1 x RS232/422/485 (Default RS232)	1 x RS232/422/485 (Default RS232)	1 x RS232/422/485 (Default RS232)
USB Port	2 x USB3.0 (Type-A)	2 x USB3.0 (Type-A)	2 x USB3.0 (Type-A)	2 x USB3.0 (Type-A)
HDMI	1 x HDMI 1.4 (Optional)	1 x HDMI 1.4 (Optional)	1 x HDMI 1.4 (Optional)	1 x HDMI 1.4 (Optional)
Expansion Port	2 x M.2 slot(1 for WiFi, 1 for SSD)	2 x M.2 slot(1 for WiFi, 1 for SSD)	2 x M.2 slot(1 for WiFi, 1 for SSD)	2 x M.2 slot(1 for WiFi, 1 for SSD)
Control				
Button	1 x Power Button	1 x Power Button	1 x Power Button	1 x Power Button

	Model Name			
	R15IK3S-SPC369-P1	R19IK3S -SPM169-P1	W22IK3S -SPA369-P1	W24IK3S -SPA269-P1
Mechanical Specification				
Dimensions	388 x 301 x 56.2 mm	478 x 395 x 57 mm	551 x 337 x 56.2 mm	630 x 390 x 56 mm
Housing	Stainless steel SUS 316/ AISI 316	Stainless steel SUS 316/ AISI 316	Stainless steel SUS 316/ AISI 316	Stainless steel SUS 316/ AISI 316
Mounting	VESA Mount, Yoke Mount	VESA Mount, Yoke Mount	VESA Mount, Yoke Mount	VESA Mount, Yoke Mount
Cooling System	Fanless design	Fanless design	Fanless design	Fanless design
Environmental Consideration				
Operating Temperature	0 °C to 45 °C	0 °C to 45 °C	0 °C to 45 °C	0 °C to 45 °C
Storage Temperature	-20 °C to 60 °C	-20 °C to 60 °C	-20 °C to 60 °C	-20 °C to 60 °C
Operating Humidity	10% to 90% (non- condensing)	10% to 90% (non- condensing)	10% to 90% (non- condensing)	10% to 90% (non- condensing)
IP Rating	Full IP69K	Full IP69K	Full IP69K	Full IP69K
Power Specifications				
Power Rating	12 V DC in 9-36 V DC in (Optional)	12 V DC in 9-36 V DC in (Optional)	12 V DC in 9-36 V DC in (Optional)	12 V DC in 9-36 V DC in (Optional)
Power Consumption	53 W (typ.) (Max. backlight and high CPU load)	59 W (typ.) (Max. backlight and high CPU load)	66 W (typ.) (Max. backlight and high CPU load)	62 W (typ.) (Max. backlight and high CPU load)
AC Adapter	100~240V AC to 12V DC Adapter	100~240V AC to 12V DC Adapter	100~240V AC to 12V DC Adapter	100~240V AC to 12V DC Adapter
Standards and Certification				
Certification	CE, FCC	CE, FCC	CE, FCC	CE, FCC

Appendix B: Winmate Software Development Kit

Wimate provides the following SDK and Utilities for the IP69K Stainless P Series Panel PC.

Item	File Type	Description
1	SDK	Watchdog SDK
2	Utility	Watchdog Utility

To find the Drivers and SDK, please refer to the Driver CD that comes in the package or contact us. Also, you can download drivers from Winmate Download Center.



Winmate Inc.
9F, No.111-6, Shing-De Rd., San-Chung District,
New Taipei City 24158, Taiwan, R.O.C
www.winmate.com

Copyright © Winmate Inc. All rights reserved.

