

# W22IK3S-SPA369-P1

21.5" IP69K Stainless Panel PC with Intel® Core™ i5



## KEY FEATURES

- 21.5" 1920 x 1080 Resolution, IP69K Stainless Panel PC
- Intel® Core™ i5-7200U, 2.50 GHz
- Fanless cooling system
- SUS 316 / AISI 316 stainless steel for food and chemical industries
- Full IP69K waterproof enclosure
- A true flat, easy-to-clean front surface with edge-to-edge design
- Waterproof sealed conduit pipe for cable protection
- Support VESA mount, and optional Yoke mount stand
- Support Glove/ Rain mode
- Optical bonding (optional)



## SPECIFICATIONS

Display			
<b>Resolution</b>	1920x1080	<b>Size</b>	21.5 inches
<b>Contrast Ratio</b>	3000:1	<b>Panel Brightness</b>	250 nits
<b>View Angles</b>	89,89,89,89	<b>Active Area</b>	476.64x268.11 mm
<b>Touch / Glass</b>	Projected Capacitive Multi Touch Screen		
System Specification			
<b>Processor</b>	Intel Core i5-7200U 2.5GHz (up to 3.1GHz) Intel Core i5-7300U 2.6GHz (up to 3.5GHz) (Optional)	<b>Memory</b>	1 x SO-DIMM, DDR4 2133 MHz, 4GB 8GB (Optional) 16GB (Optional)
<b>Storage</b>	1 x M.2 2242 SSD 128GB M.2 2242 SSD up to 512GB (Optional)	<b>Ethernet controller</b>	2 x Intel® Ethernet Controller
<b>Security</b>	TPM 2.0	<b>Operating System</b>	Windows 10 IoT Enterprise (64 bit) (Optional) Linux Ubuntu 20.04 (Optional)
<b>WLAN</b>	Support (Optional)	<b>BT</b>	Support (Optional)
Mechanical			
<b>Dimension</b>	541 x 337 x 56.2 mm	<b>Mounting</b>	VESA Mount Yoke Mount
<b>Enclosure</b>	Stainless Housing	<b>Cooling System</b>	Fanless design
Environment			
<b>Operating Humidity</b>	10% to 90% RH, Non-Condensing	<b>Operating Temperature</b>	0°C to 45°C
<b>Storage Temperature</b>	-20°C to 60°C	<b>IP rating</b>	IP69K
Certification			
<b>Certification</b>	CE, FCC		
IO Ports			
<b>USB Port</b>	2 x USB3.2 Gen1x1 (Type-A)	<b>Serial Port</b>	1 x RS232/422/485 (Default RS232)
<b>Video</b>	1 x HDMI 1.4	<b>LAN</b>	2 x Giga LAN RJ45 Connector
<b>Indicator</b>	1 x LED Indicator on power button		
Control			

**Button** 1 x Power Button

**Accessory**

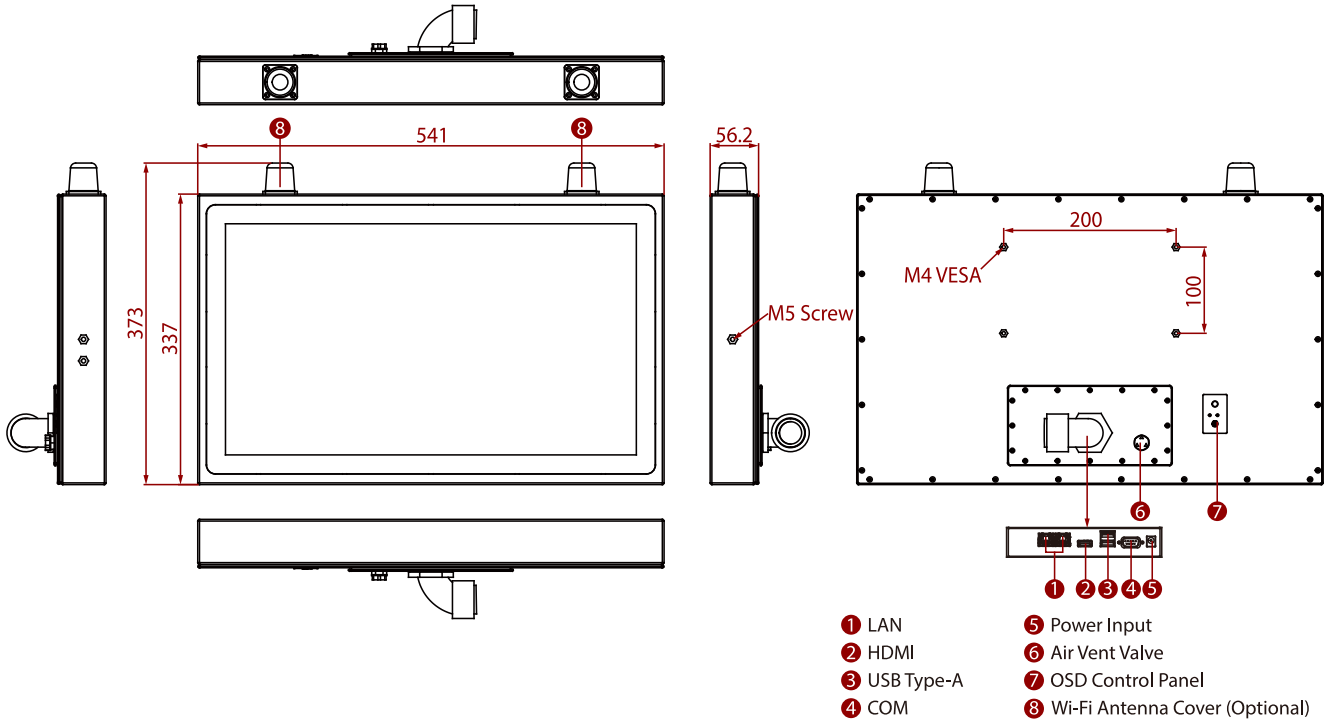
**Accessory** 1 x Waterproof Conduit 1.5m  
1 x Waterproof Conduit 0.3m  
2 x Elbow for connect the conduit  
1 x AC to DC power adapter with power cord  
1 x D-sub9(male) to RJ45 adapter  
1 x D-sub9(female) to RJ45 adapter  
1 x External RJ45 male to male cable  
VESA screws

**Optional Accessory** 1 x Open wire cable for phoenix connector (Optional)  
Yoke mount stand kit (Optional)

**Power**

**Power Rating** 12V DC

**DIMENSIONS** UNIT:MM



**NOTE**

1. This is a simplified drawing and some components are not marked in detail.
2. Please contact our sales representative if you need further product information.
3. All specifications are subject to change without prior notice.
4. The product shown in this datasheet is a standard model. For diagrams that contain customized or optional I/O, please contact the Winmate Sales Team for more information.