

R15IK3S-SPC3

15" Intel® Core™ i5 IP65 Stainless PCAP Chassis Panel PC



KEY FEATURES

- 7th Generation (kaby Lake) Intel® Core™ i5-7200U 2.5GHz (turbo to 3.1GHz)
- SUS 316/ AISI 316 stainless steel for food and chemical industries
- Sealed to IP65 for protection against water and dust
- A true flat, easy-to-clean front surface with edge-to-edge design
- Flat multi-touch panel pc with superior readability and P-Cap technology
- Various mounting solutions, Yoke mount and VESA mount
- Plenty of I/O s including USB 2.0, RS232 serial port and RJ45-10/100/1000 LAN ports
- Waterproof ports with adapter cables for external connectivity
- Support Glove / Rain mode
- Optical bonding (optional)

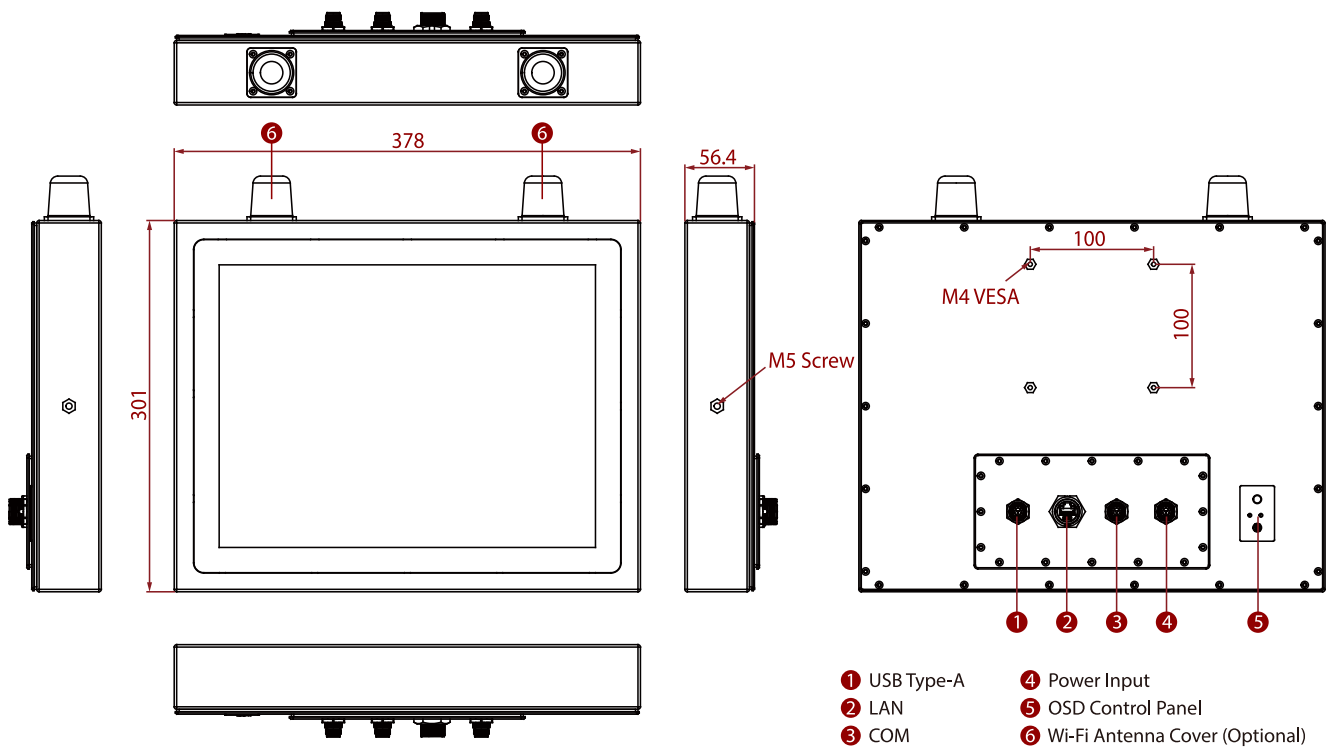


SPECIFICATIONS

Display			
Resolution	1024x768	Size	15 inches
Contrast Ratio	2000:1	Panel Brightness	300 nits
View Angles	88,88,88,88	Active Area	304.1x228.1 mm
Touch / Glass	Projected Capacitive Multi Touch Screen		
System Specification			
Processor	Intel Core i5-7200U 2.5GHz (up to 3.1GHz) Intel Core i5-7300U 2.6GHz (up to 3.5GHz) (Optional)	Memory	1 x SO-DIMM, DDR4 2133 MHz, 4GB 8GB (Optional) 16GB (Optional)
Storage	1 x M.2 2242 SSD 128GB M.2 2242 SSD up to 512GB (Optional)	Ethernet controller	2 x Intel® Ethernet Controller
Security	TPM 2.0	Operating System	Windows 10 IoT Enterprise (64 bit) (Optional) Linux Ubuntu 20.04 (Optional)
WLAN	Support (Optional)	BT	Support (Optional)
Mechanical			
Dimension	378 x 301 x 56.4 mm	Mounting	VESA Mount Yoke Mount
Enclosure	Stainless Housing	Cooling System	Fanless design
Environment			
Operating Humidity	10% to 90% RH, Non-Condensing	Operating Temperature	0°C to 45°C
Storage Temperature	-20°C to 60°C	IP rating	IP65
Certification			
Certification	CE, FCC		
IO Ports			
USB Port	1x M12 Waterproof Connector for 2 x USB2.0	Serial Port	1 x M12 waterproof connector for RS232
LAN	1 x Waterproof Giga LAN RJ45 Connector	Indicator	1 x LED Indicator for power

Control	
Button	1 x Power Button 1 x Reset Button
Accessory	
Accessory	100~240V AC to DC Adapter with waterproof connector Power Cord External USB cable with waterproof connector External COM cable with waterproof connector External LAN cable with waterproof connector Waterproof caps Manual VESA screws
Power	
Power Rating	12V DC (M12 type)

DIMENSIONS UNIT:MM



NOTE

1. This is a simplified drawing and some components are not marked in detail.
2. The product shown in this datasheet is a standard model. For diagrams that contain customized or optional I/O, please contact the Winmate Sales Team for more information.
3. All specifications are subject to change without prior notice.