

# R15L100-MRC3HB

## 15" High Brightness Marine Display



### KEY FEATURES

- Dimming knob control backlight brightness from nearly 0% to 100%
- High brightness TFT-LCD panel enhance the best visibility
- Panel (flush) mount with IP66 aluminum housing design (IP54 rear)
- 9 to 36V DC to DC power input acceptable (AC power for option)
- High quality touchscreen / AR protection glass for option
- PIP(picture in picture) function and multi-video inputs
- Ease of use front panel OSD control
- Enhanced shock and vibration resistance



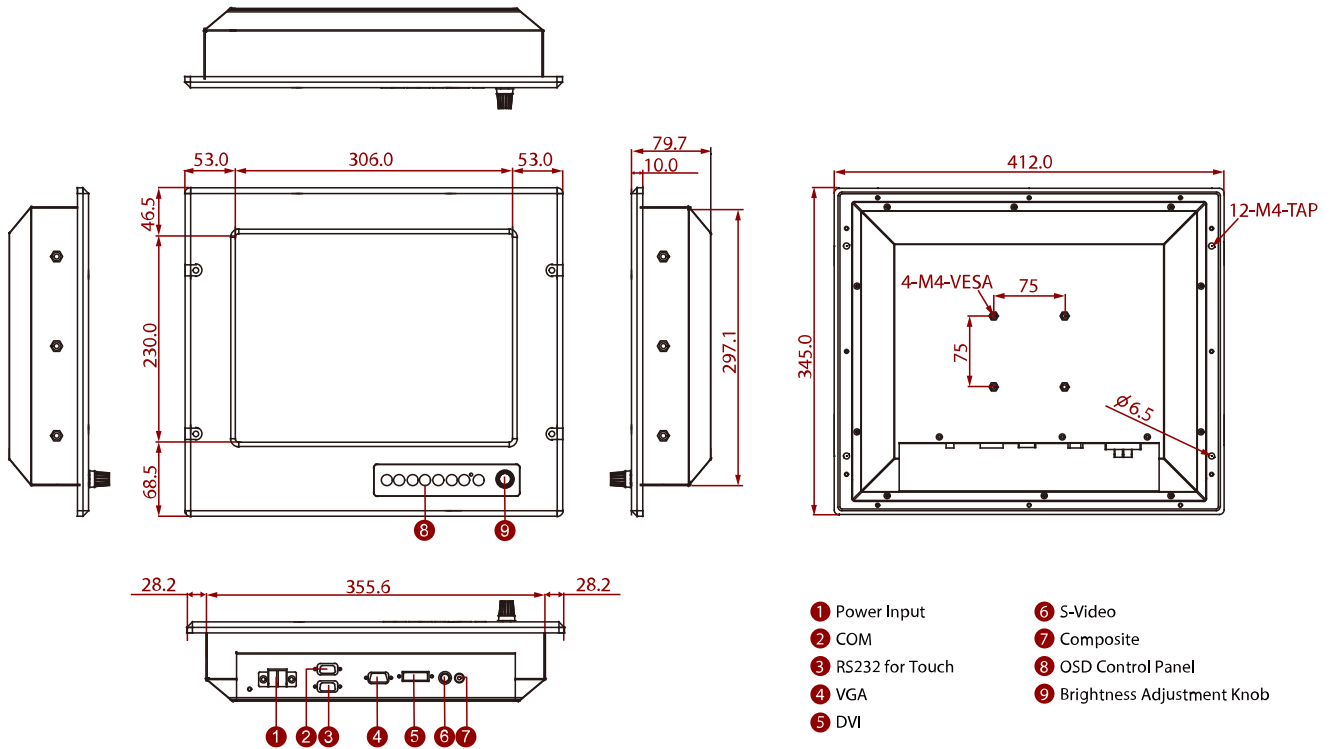
### SPECIFICATIONS

| Display                   |   |                              |  |
|---------------------------|---|------------------------------|--|
| <b>Resolution</b>         | 1024x768  | <b>Size</b>                  | 15 inches  |
| <b>Contrast Ratio</b>     | 2000:1  | <b>Panel Brightness</b>      | 1000 nits  |
| <b>Display Color</b>      | 16.2M Colors  | <b>View Angles</b>           | 88,88,88,88  |
| <b>Active Area</b>        | 304.1x228.1 mm  | <b>Touch / Glass</b>         | Resistive Touch Screen<br>AR Glass (Optional)        |
| Environment               |   |                              |  |
| <b>Operating Humidity</b> | 5% to 95%   | <b>Operating Temperature</b> | -15~55°C   |
| <b>Shock</b>              | 15G,11ms duration   | <b>Vibration</b>             | 0.7g@DNVGL CG-0339 (Class A)                         |
| <b>IP rating</b>          | IP66 (Front Side)   |                              |  |
| Certification             |   |                              |  |
| <b>Certification</b>      | CE, FCC   |                              |  |
| IO Ports                  |   |                              |  |
| <b>Serial Port</b>        | 1 x RS232 for Remote Control<br>1 x RS232/USB for Touch Screen  | <b>Video</b>                 | 1 x VGA<br>1 x DVI-D<br>1 x Composite<br>1 x S-Video |
| Mechanical                |   |                              |  |
| <b>Dimension</b>          | 412 x 345 x 79.7 mm   | <b>Mounting</b>              | VESA Mount/ Panel Mount                              |
| <b>Enclosure</b>          | Metal Housing with Aluminum Bezel   | <b>Cooling System</b>        | Fanless Design                                       |
| <b>Cut out</b>            | 338 x 288mm   |                              |  |
| Power                     |   |                              |  |
| <b>Power Rating</b>       | 24V DC-in with Isolation (Approval by Certificate)<br>9~36V DC Input Acceptable   |                              |  |
| Accessory                 |   |                              |  |
| <b>Accessory</b>          | 1 x User Manual.<br>1 x CD for Touchscreen Driver Tools.<br>1 x DVI Cable.<br>1 x VGA Cable.<br>1 x RS232 Serial Cable.<br>1 x S-Video Cable.<br>1 x Composite Cable. |                              |  |

## Control

|               |  |
|---------------|--|
| <b>Button</b> | 8 key:<br>Esc/PIP<br>Auto adjustment<br>Left<br>Right/Source<br>OK/Menu<br>Up<br>Down<br>Power<br>1 x The Dimming Knob |
|---------------|--|

## DIMENSIONS UNIT:MM



## NOTE

1. This is a simplified drawing and some components are not marked in detail.
2. Please contact our sales representative if you need further product information.
3. All specifications are subject to change without prior notice.
4. The product shown in this datasheet is a standard model. For diagrams that contain customized or optional I/O, please contact the Winmate Sales Team for more information.