



EC700-BT6051/6061

Atom

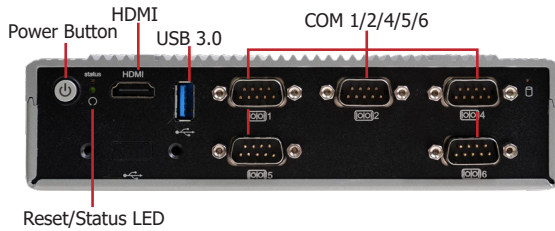


Features

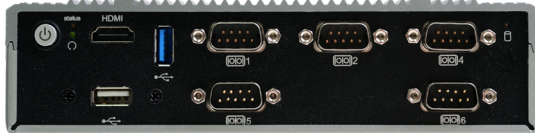
- 4GB DDR3L onboard
- mSATA, eMMC (optional)
- 1x 2.5" SATA drive bay
- 6 COM, 5/6 USB, 2 LAN
- Supports 3G/4G and GPRS application



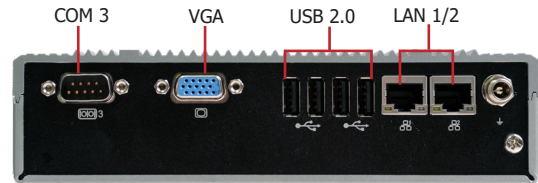
Panel



Front View(BT6051)

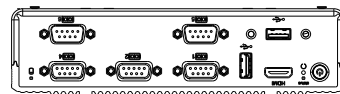


Front View(BT6061)

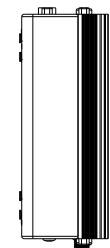


Rear View

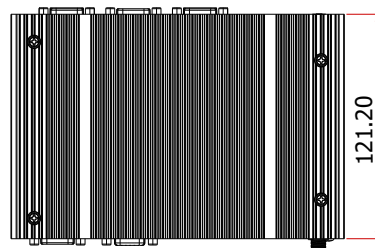
Dimensions



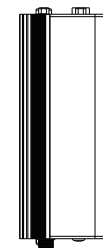
Rear View



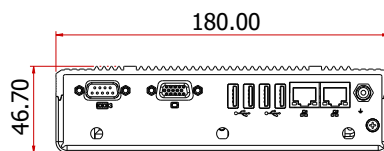
Left View



Top View

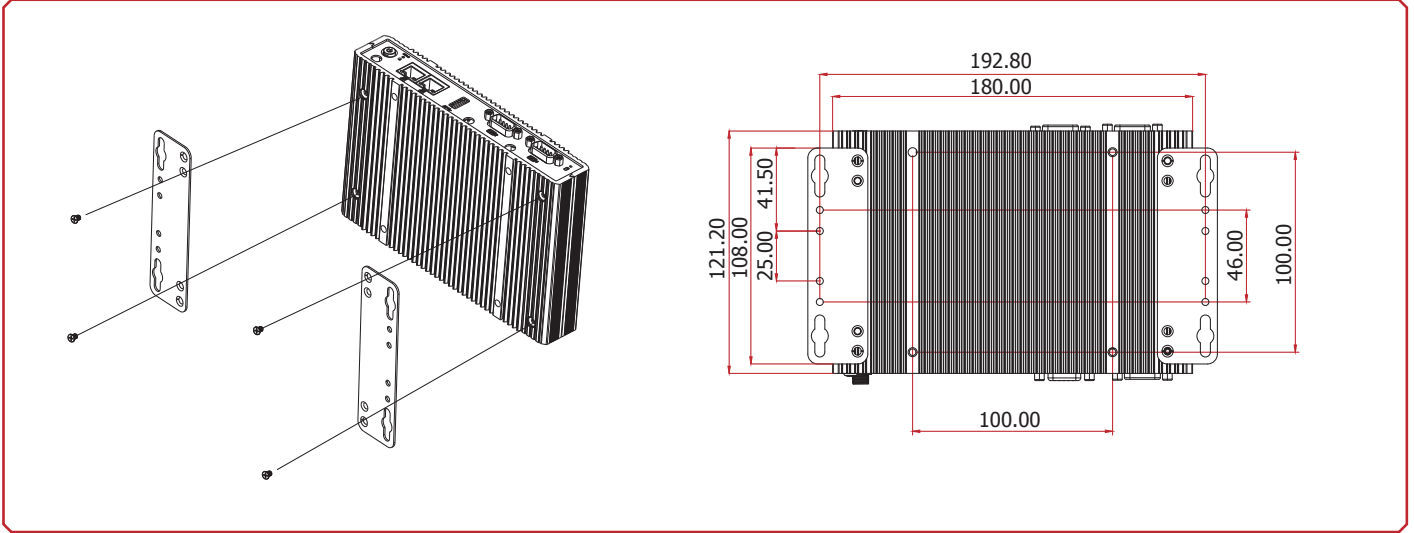


Right View

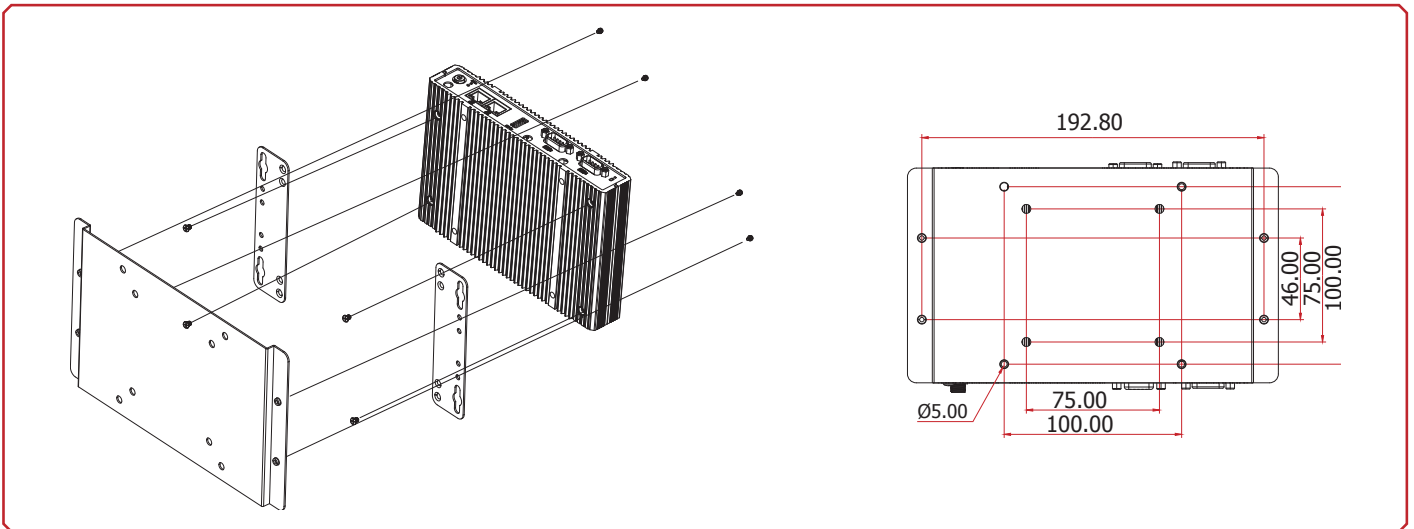


Front View

▶ Wall Mounting



▶ VESA Mounting



► Ordering Information

Model Name	Part Number	Description
EC700-BT6051-J194	750-EC7000-I00G	EC700-BT6051-J194:Fanless, EC700, 2 LAN, 1 HDMI, 1 VGA, 6 COM, 5 USB, 4GB RAM,F/G SYSTEM RoHS
EC700-BT6061-E454	750-EC7000-J00G	EC700-BT6061-E454:Fanless, EC700, 2 LAN, 1 HDMI, 1 VGA, 6 COM, 6 USB, 4GB RAM,F/G SYSTEM RoHS

► Optional Items

Optional Items	Part Number	Description
HDD	785-H25500G	2.5" SATA HDD, 500GB, RoHS
	785-H25320G	2.5" SATA HDD, 320GB, RoHS
	785-S251TBG	2.5" SATA SSD, 1TB MLC, RoHS
	785-S25512G	2.5" SATA SSD, 512GB MLC, RoHS
	785-S25256G	2.5" SATA SSD, 256GB MLC, RoHS
	785-S25128G	2.5" SATA SSD, 128GB MLC, RoHS
	785-S25064G	2.5" SATA SSD, 64GB MLC, RoHS
mSATA	785-MS128GMF	mSATA Card, 128GB MLC, RoHS
	785-MS64GMF	mSATA Card, 64GB MLC, RoHS
	785-MS32GMF	mSATA Card, 32GB MLC, RoHS
	785-MS16GMF	mSATA Card, 16GB MLC, RoHS
	785-MS08GMF	mSATA Card, 8GB MLC, RoHS
	785-MS04GMF	mSATA Card, 4GB MLC, RoHS
Wi-Fi	761-110091-000G	Wi-Fi Kit, RoHS
3G + GPS	612-110040-600G	3G + GPS Kit, RoHS
Power Cord	785-PWRD	Power Cord, Standards (USA/EUR/CH), 1.8m, RoHS
Power Adapter	671-106012-000G	60W, 12V/5A, Level 6, RoHS
Wall Mount	761-EC8000-000G	EC700/800 Wall Mount Kit, RoHS
VESA Mount	761-EC7000-100G	EC700 VESA Mount Kit, RoHS
DC Cord	A81-004031-007G	UL 1185 (5.5x2.5x9.5mm) with Nut to stripped and tinned, length 1000mm

785-XXX is a group number instead of a unique part number. Please contact your regional sales representative if you need more information.

► Packing List

• 1 EC700-BT6051/6061 system unit
• Mounting screws for SATA drive
• Mounting screws for Mini PCIe module
• 1 Quick Installation Guide