



A42

1U Active Air Cooler

PRODUCT SPECIFICATIONS

Spfication Version: 12/22/2022

(Specifications are subject to change without notice)

Model Number: A42

- Recommend for AMD® CPU as following
 - AMD® Ryzen® Processor Family, Socket AM5
- Active Air Cooler for 1U Server and Up

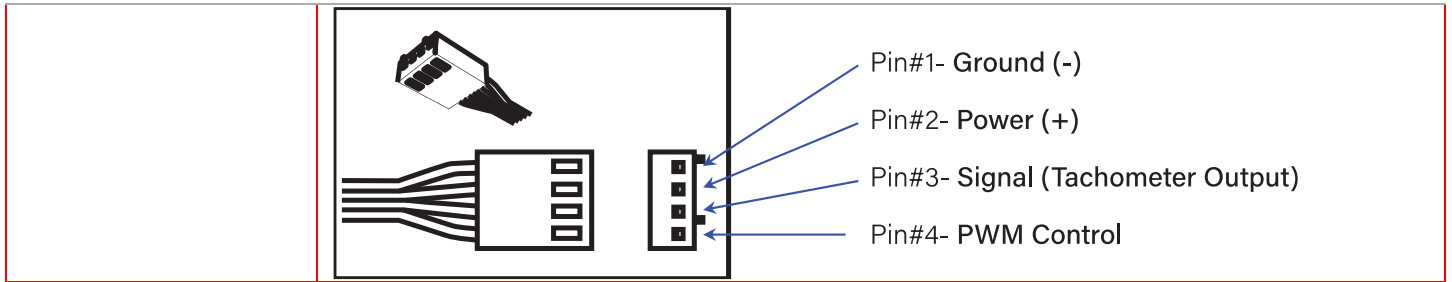
Overall Specification

Dimension	110.0 x 86.0 x 27.9 mm
Weight	540 g
Material	Copper Fin
Thermal Grease	Shin-Etsu 7762 Pre-Printed
TDP	95W

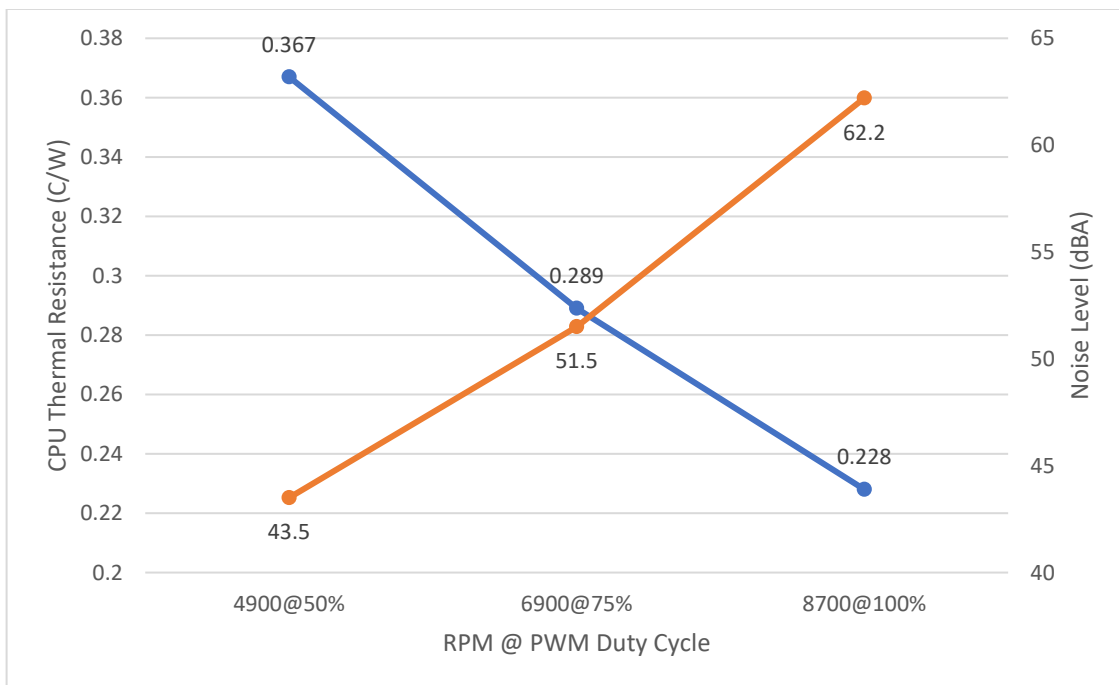
Cooling Fan Specification

Model Number	DB128013BU-PWM
Dimension	φ80 x 13 mm
Bearing	Double Ball
Rated Voltage	12V
Rated Speed	At Duty Cycle 0~20%: 2000± 200 RPM At Duty Cycle 50%: 4900± 10% RPM At Duty Cycle 100%: 8600±10% RPM
Input Power	At Duty Cycle 0~20%: 1.08 W At Duty Cycle 50%: 4.7 W At Duty Cycle 100%: 23.45 W
Maximum Airflow	At Duty Cycle 0~20%: 5.59 CFM At Duty Cycle 50%: 14.76 CFM At Duty Cycle 100%: 26.25 CFM
Rated Static Pressure	At Duty Cycle 0~20%: 3.69 mm-H2O At Duty Cycle 50%: 25.28 mm-H2O At Duty Cycle 100%: 89.80 mm-H2O
Acoustical Noise	At Duty Cycle 0~20%: 23.3 dBA At Duty Cycle 50%: 43.5 dBA At Duty Cycle 100%: 62.2 dBA
Lead Wire Pin Out	Pin#1- Black(-) Pin#2- Yellow(+) Pin#3- Green(Tachometer/ Signal Output) Pin#4- Blue (PWM)

A42 | Socket AM5/AM4



Performance Chart: Active Cooler A42 Thermal Resistance Thermal Resistance vs. Blower Speed @ PWM Duty Cycle



Publication History:

12/22/2022: Initial Release

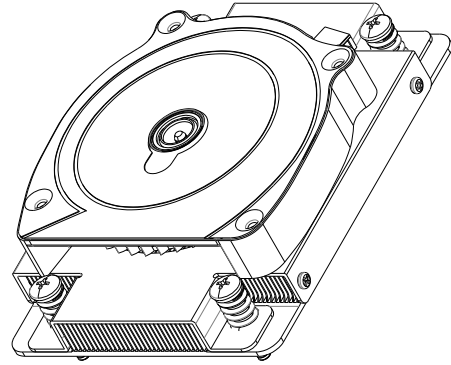
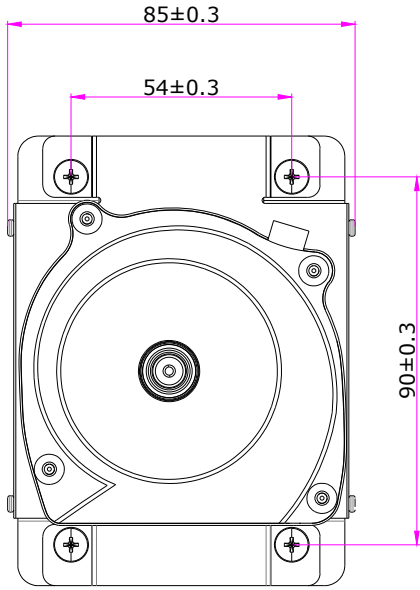
(Specifications are subject to change without notice)

1 2 3 4 5 6 7

REV#	DESCRIPTION	CHECKER	DATE
0.0	INITIAL RELEASE	Jun	12/21/22

A

A



B

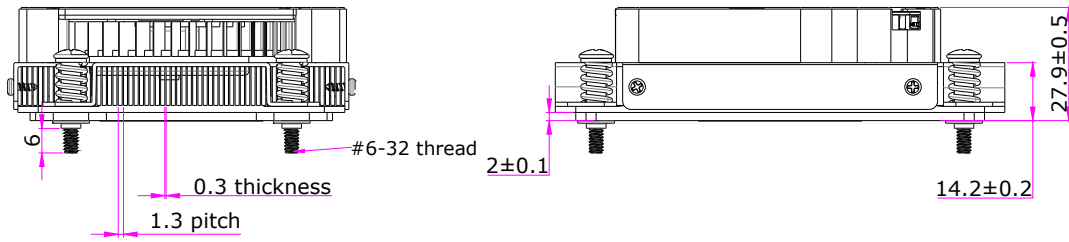
B

C

C

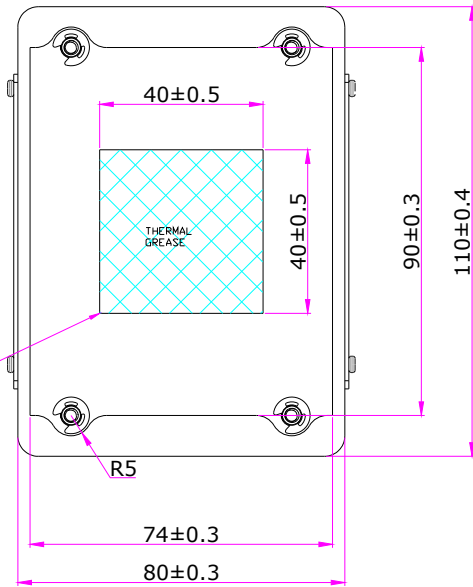
D

D



E

E



F

F

G

G

	NAME	DATE
DRAWN BY	Jun	12/21/2022
CHECKED BY	Jun	12/21/2022
ENG. APPROVED		
MFG. APPROVED	-	-



DYNATRON CORPORATION

TITLE:

1U Air Cooler A42
Overall Dimension Drawing

CONFIDENTIAL DOCUMENT
THIS DRAWING CONTAINS INFORMATION PROPRIETARY TO DYNATRON CORPORATION AND DYNAEON INDUSTRIAL CO., LTD. ANY REPRODUCTION, DISCLOSURE, OR USE OF THIS DRAWING IS EXPRESSLY PROHIBITED EXCEPT AS DYNATRON CORPORATION AND DYNAEON INDUSTRIAL CO., LTD. MAY OTHERWISE AGREE TO IN WRITING.

VIEW	
UNITS	MM

DWG. No:

DYN-BD-A42

REV.
0.0

H

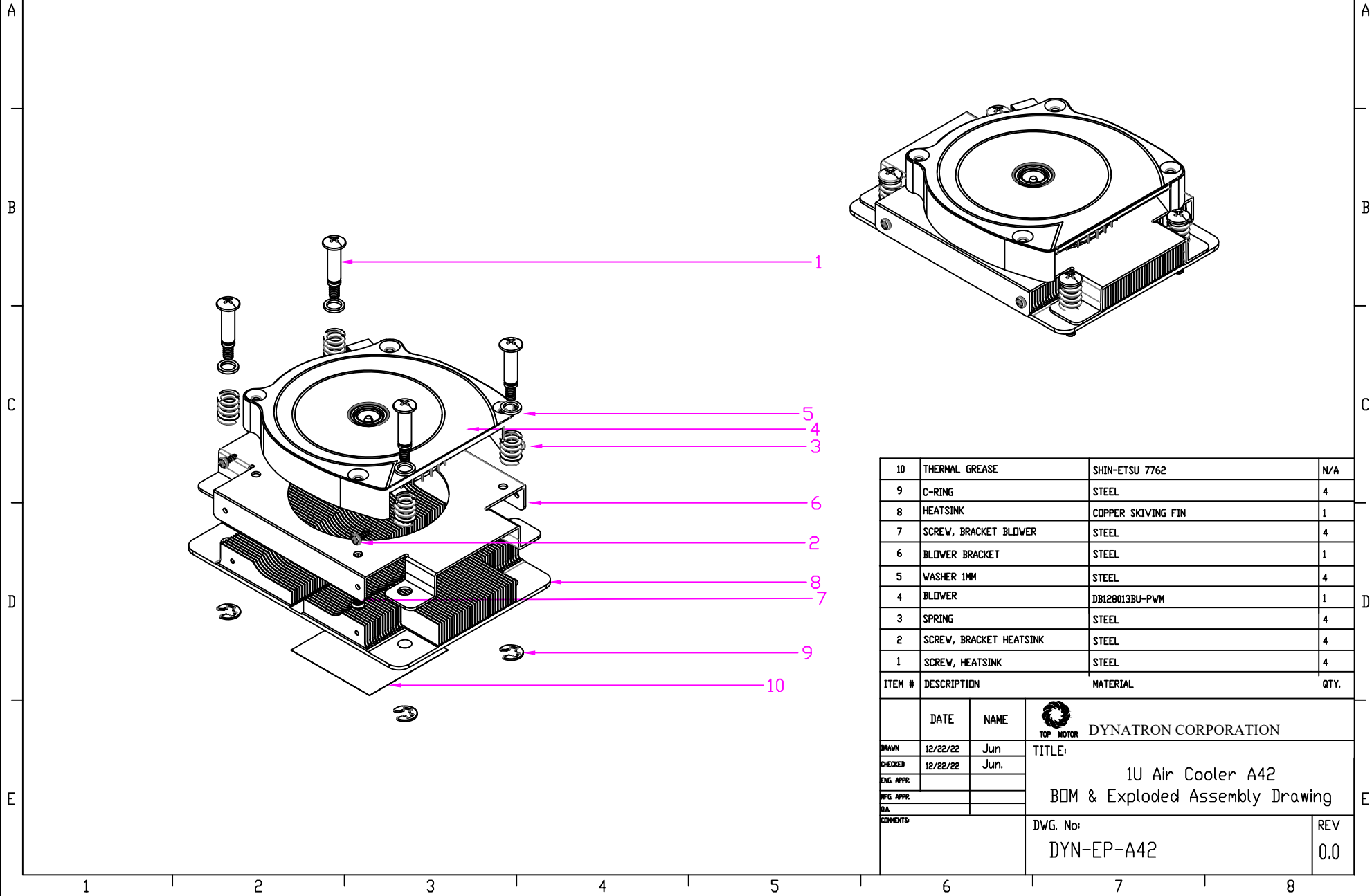
H

1 2 3 4 5 6 7


CONFIDENTIAL DOCUMENT

THIS DRAWING CONTAINS INFORMATION PROPRIETARY TO DYNATRON CORPORATION AND DYNAMEN INDUSTRIAL CO., LTD. ANY REPRODUCTION, DISCLOSURE, OR USE OF THIS DRAWING IS EXPRESSLY PROHIBITED EXCEPT AS DYNATRON CORPORATION AND DYNAMEN INDUSTRIAL CO., LTD. MAY OTHERWISE AGREE TO IN WRITING.

REV#	DESCRIPTION	CHECKER	DATE
0.0	INITIAL RELEASE	Jun	12/22/22



ITEM #	DESCRIPTION	MATERIAL	QTY.
10	THERMAL GREASE	SHIN-ETSU 7762	N/A
9	C-RING	STEEL	4
8	HEATSINK	COPPER SKIVING FIN	1
7	SCREW, BRACKET BLOWER	STEEL	4
6	BLOWER BRACKET	STEEL	1
5	WASHER 1MM	STEEL	4
4	BLOWER	DB128013BU-PWM	1
3	SPRING	STEEL	4
2	SCREW, BRACKET HEATSINK	STEEL	4
1	SCREW, HEATSINK	STEEL	4

DATE	NAME	 DYNATRON CORPORATION	
12/22/22	Jun		
CHECKED	12/22/22	TITLE: 1U Air Cooler A42 BOM & Exploded Assembly Drawing	
ENG. APPR.			
MFG. APPR.			
QA.			
COMMENTS:		DWG. No: DYN-EP-A42	REV 0.0