



# A43

2U Passive Air Cooler

**PRODUCT SPECIFICATIONS**

Spfication Version: 10/20/2022

*(Specifications are subject to change without notice)*

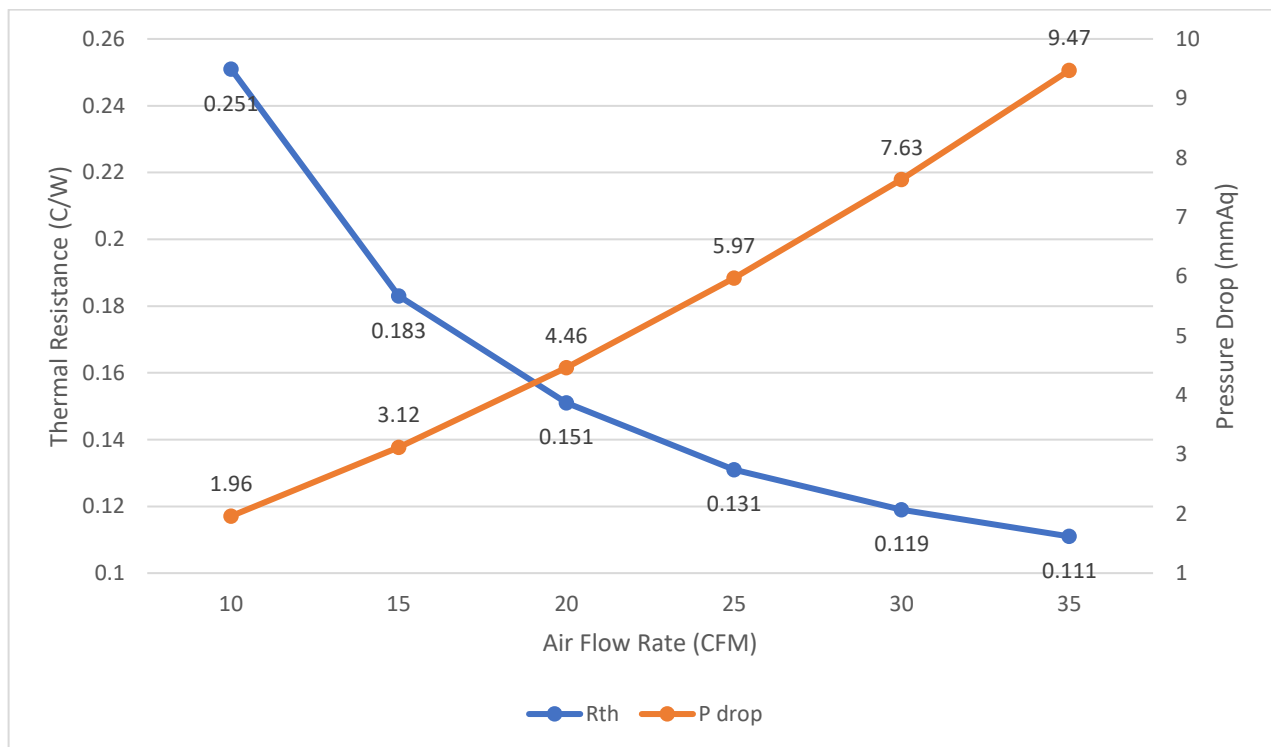
## Model Number: A43

- Recommend for AMD® CPU as following
  - AMD® Ryzen® Processor Family, Socket AM5 and AM4
- Passive Air Cooler for 2U Server and Up

## Overall Specification

Dimension	105.0 x 74.0 x 63.0 mm
Weight	450 g
Material	Aluminum Fin with heat pipe
Thermal Grease	Shin-Etsu 7762 Pre-Printed
TDP	120W

## Performance Chart: Passive Cooler A43 Thermal Resistance Thermal Resistance & Pressure Drop vs. Air Flow rate



1 2 3 4 5 6 7

REV#	DESCRIPTION	CHECKER	DATE
0.0	INITIAL RELEASE	Jun	10/20/22

A

A

B

B

C

C

D

D

E

E

F

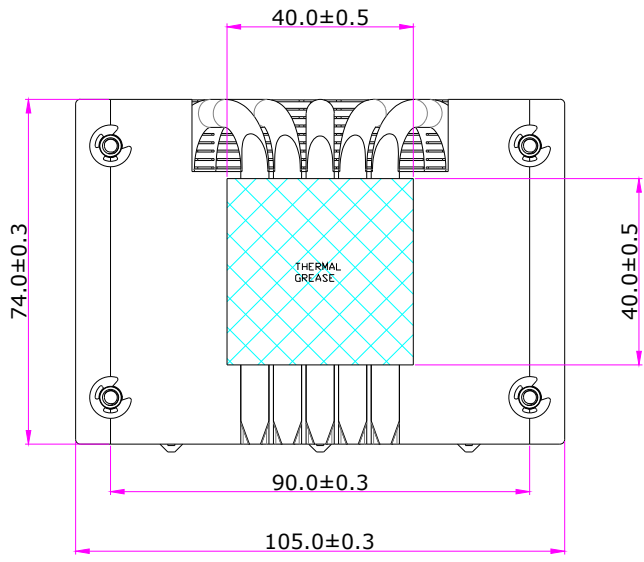
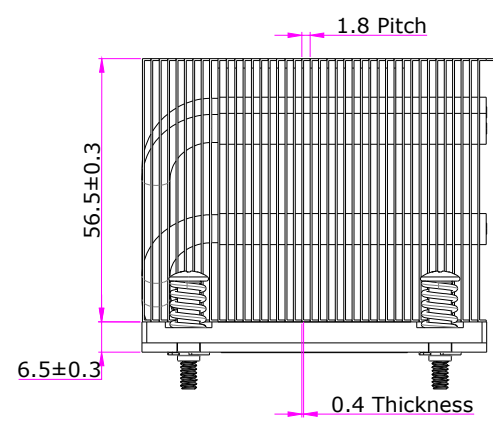
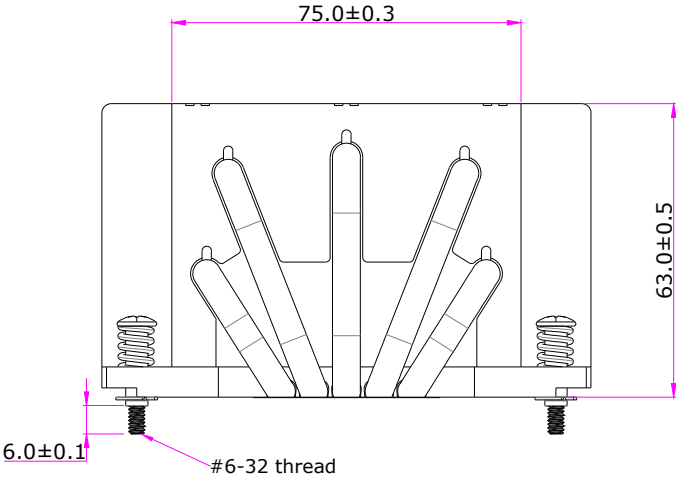
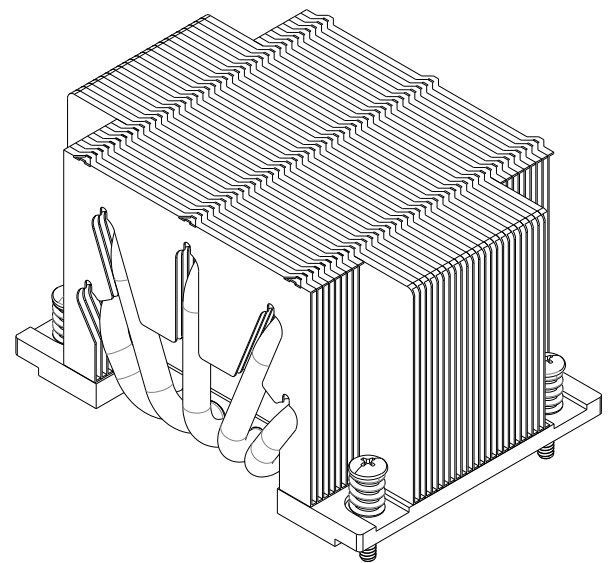
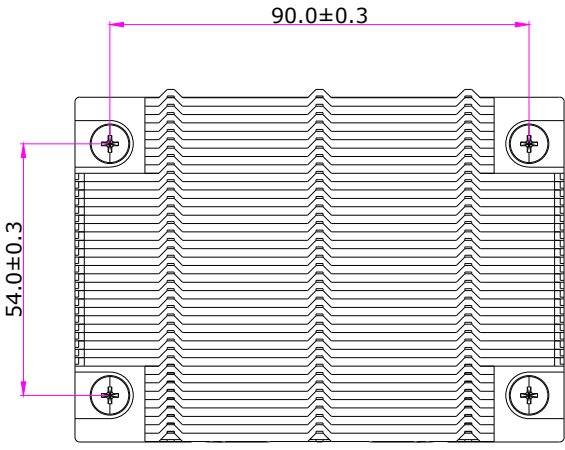
F

G

G

H

H



	NAME	DATE
DRAWN BY	Jun	10/20/2022
CHECKED BY	Jun	10/20/2022
ENG. APPROVED		
MFG. APPROVED	-	-



**DYNATRON CORPORATION**

TITLE: 2U Passive Air Cooler A43  
Overall Dimension Drawing

**CONFIDENTIAL DOCUMENT**  
THIS DRAWING CONTAINS INFORMATION PROPRIETARY TO DYNATRON CORPORATION AND DYNAEON INDUSTRIAL CO., LTD. ANY REPRODUCTION, DISCLOSURE, OR USE OF THIS DRAWING IS EXPRESSLY PROHIBITED EXCEPT AS DYNATRON CORPORATION AND DYNAEON INDUSTRIAL CO., LTD. MAY OTHERWISE AGREE TO IN WRITING.

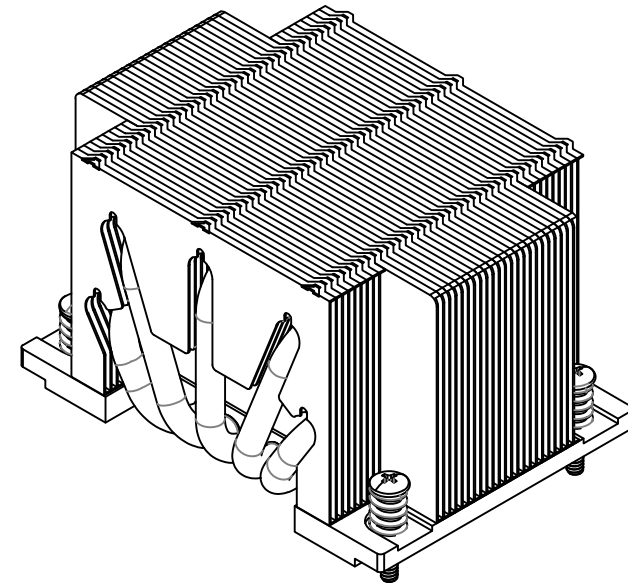
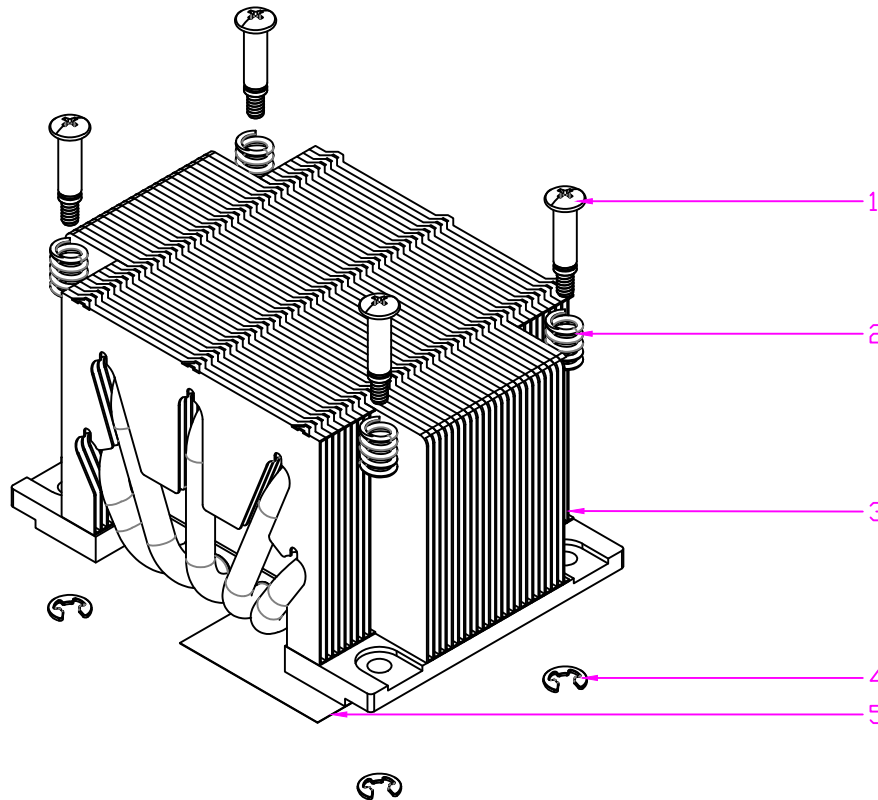
VIEW		DWG. No:	REV.
UNITS	MM	DYN-BD-A43	0.0

1 2 3 4 5 6 7

**CONFIDENTIAL DOCUMENT**


THIS DRAWING CONTAINS INFORMATION PROPRIETARY TO DYNATRON CORPORATION AND DYNMEIN INDUSTRIAL CO., LTD. ANY REPRODUCTION, DISCLOSURE, OR USE OF THIS DRAWING IS EXPRESSLY PROHIBITED EXCEPT AS DYNATRON CORPORATION AND DYNMEIN INDUSTRIAL CO., LTD. MAY OTHERWISE AGREE TO IN WRITING.

REV#	DESCRIPTION	CHECKER	DATE
0.0	INITIAL RELEASE	Jun	10/20/22



ITEM #	DESCRIPTION	MATERIAL	QTY.
5	THERMAL GREASE	SHIN-ETSU 7762	N/A
4	C-RING	STEEL	4
3	HEATSINK	COPPER FIN, AL BASE, COPPER HEAT PIPE	1
2	SPRING (50600910)	STEEL	4
1	SCREW, HEATSINK	STEEL	4

NOTES:  
1. THE FIGURE IS FOR REFERENCE ONLY, AND NOT FOR SCALE

DATE		NAME		 DYNATRON CORPORATION
10/20/22		Jun		
DRAWN		CHECKED		TITLE: 2U Passive Air Cooler A43 BOM & Exploded Assembly Drawing
10/20/22		Jun		
ENG. APPR.		MFG. APPR.		
COMMENTS:				DWG. No: DYN-EP-A43
				REV 0.0

**A43** | Socket AM5/AM4

## Publication History:

10/20/2022: Initial Release.

*(Specifications are subject to change without notice)*