

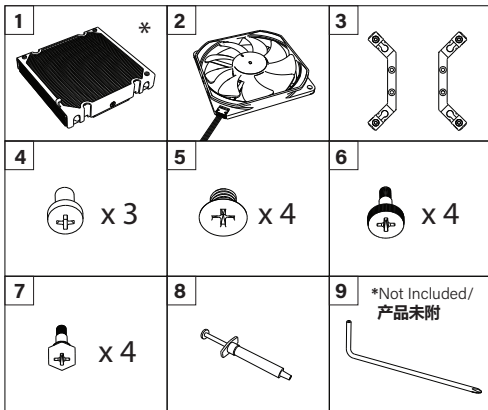
# U8/U10

Intel LGA 1700/1200/115X  
AMD Socket AM5/AM4

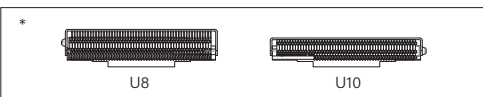
## INSTALLATION GUIDE

### 安装指南

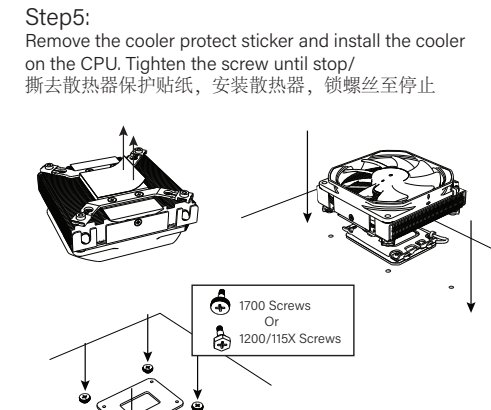
Intel Components & Tool/Intel 安装所需零件及工具



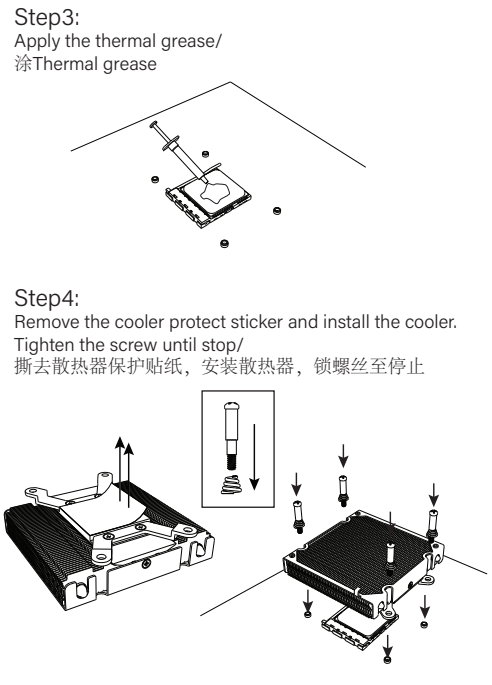
1. Cooler/散热器\* 2. Fan/风扇 3. Intel Retention Bracket Pair/ Intel脚架组 4. Fan Installation Screws/风扇安装螺丝 5. Retention Bracket Installation Screws/脚架安装螺丝 6. LGA1700 Screws/螺丝 7. LGA1200/115X Screws/螺丝 8. Thermal grease/导热膏 9. Philips Head Screw Driver (Not Included)/十字螺丝刀(产品未附, 需自行准备)



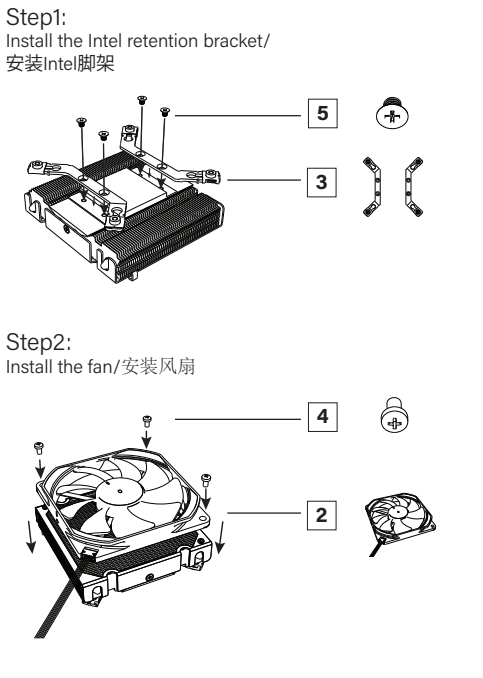
Intel LGA 1700/1200/115X Installation



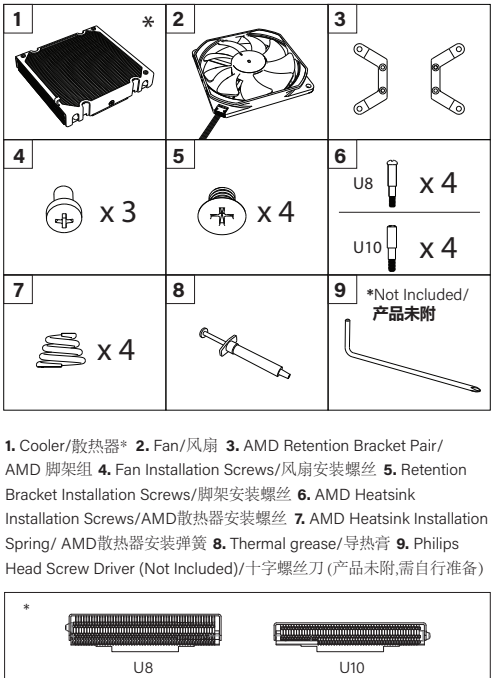
AMD AM5/AM4 Installation



Intel LGA 1700/1200/115X Installation



AMD Components & Tool/AMD 安装所需零件及工具



AMD AM5/AM4 Installation

