

# W07L100-GCO1HB-C

## 7" USB-C Display



### KEY FEATURES

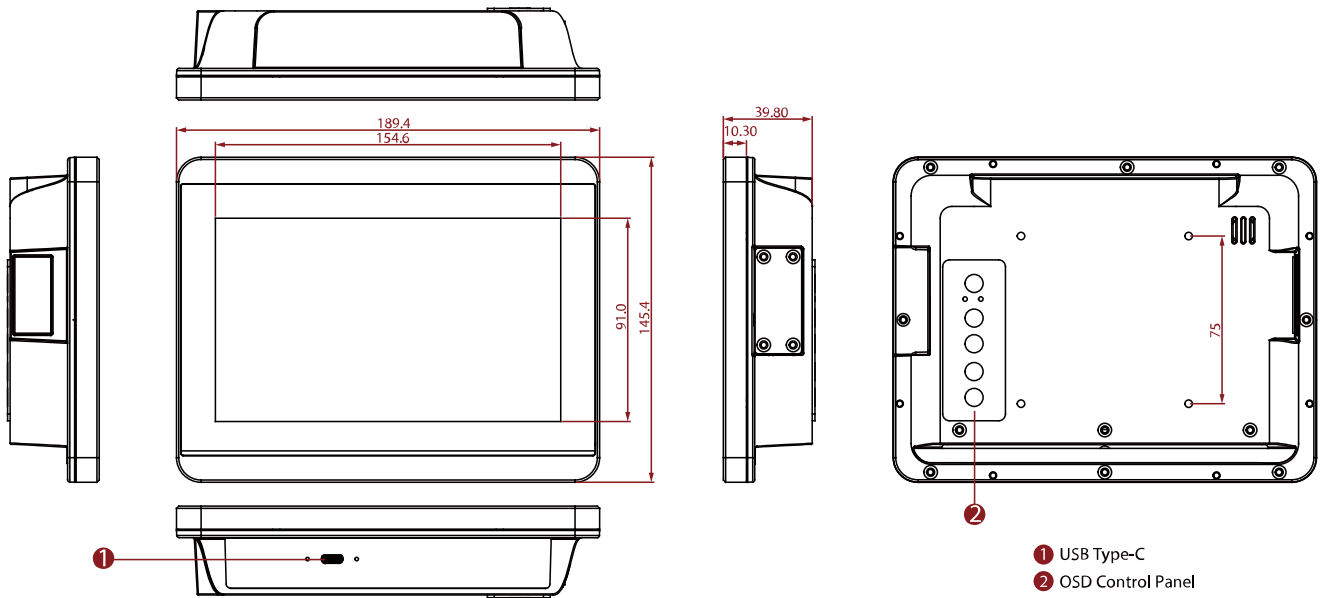
- 7", 1024 x 600, USB-C Display
- USB Type-C connector
- Chassis
- VESA mount
- PCAP touch
- High brightness
- Front IP65



### SPECIFICATIONS

Display			
Resolution	1024x600	Size	7.0 inches
Contrast Ratio	700:1	Panel Brightness	1000 nits
Display Color	16.2M Colors	View Angles	75,75,75,70
Active Area	153.6x90 mm	Touch / Glass	Projected Capacitive Multi Touch Screen Protection Glass (Optional)
Environment			
Operating Humidity	10% to 90% (non-condensing)	Operating Temperature	0~50°C
Storage Temperature	-10~60°C		
Certification			
Certification	CE, FCC		
IO Ports			
USB Port	1 x USB Type-C Connector	Audio	1 x Speaker (Optional)
Mechanical			
Dimension	189.4 x 145.4 x 39.8 mm	Mounting	VESA Mount/ Panel Mount
Enclosure	Aluminum	Cooling System	Fanless Design
Accessory			
Accessory	User Manual	Optional Accessory	Lockable USB-C to Standard USB-C Cable (Optional) Waterproof USB-C to Standard USB-C Cable (Optional) Dual-side Lockable USB Type-C Cable (Optional)
Power			
Power Rating	USB Type-C Alt mode (5V/3A)		
Control			
Button	5 Keys: -, +, Power, Esc, Enter		

### DIMENSIONS UNIT:MM



## NOTE

1. This is a simplified drawing and some components are not marked in detail.
2. The product shown in this datasheet is a standard model. For diagrams that contain customized or optional I/O, please contact the Winmate Sales Team for more information.
3. All specifications are subject to change without prior notice.