

R15L600-GCC3-C

15" USB Type-C Chassis Display



KEY FEATURES

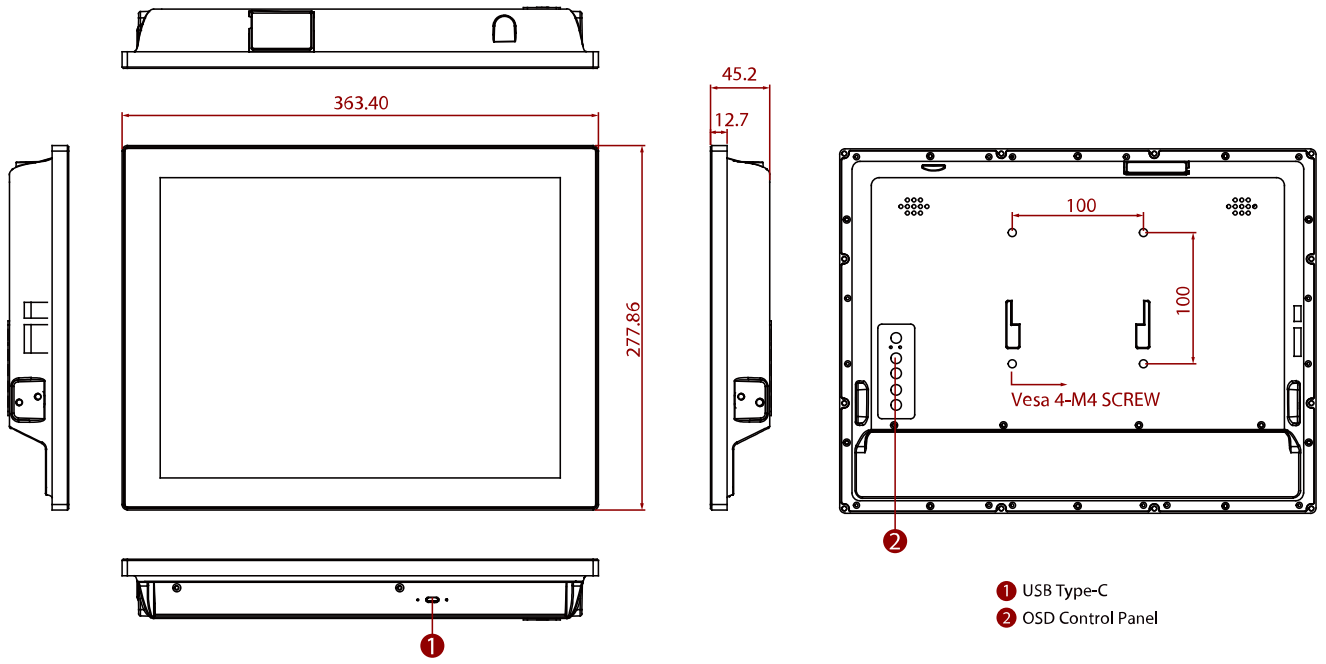
- 15", 1024 x 768
- USB Type-C connector
- Chassis
- VESA mount
- PCAP touch
- Front IP65 panel



SPECIFICATIONS

| Display | | | |
|---------------------|---|-----------------------|--|
| Resolution | 1024x768 | Size | 15.0 inches |
| Contrast Ratio | 2000:1 | Panel Brightness | 300 nits |
| Display Color | 16.2M Colors | View Angles | 88,88,88,88 |
| Touch / Glass | Projected Capacitive Multi Touch Screen Protection Glass (Optional) Anti-glare Coating (Optional) | | |
| Environment | | | |
| Operating Humidity | 10% to 90% (non-condensing) | Operating Temperature | 0~50°C |
| Storage Temperature | -10~60°C | | |
| Certification | | | |
| Certification | CE, FCC | | |
| IO Ports | | | |
| USB Port | 1 x USB Type-C Connector | Audio | 1 x Speaker (Optional) |
| Mechanical | | | |
| Dimension | 363.4 x 277.86 x 45.20 mm | Mounting | VESA Mount/ Panel Mount |
| Enclosure | Aluminum | Cooling System | Fanless Design |
| Accessory | | | |
| Accessory | User Manual | Optional Accessory | Lockable USB-C to Standard USB-C Cable (Optional) Waterproof USB-C to Standard USB-C Cable (Optional) Dual-side Lockable USB Type-C Cable (Optional) |
| Power | | | |
| Power Rating | USB Type-C Alt mode (5V/3A) | | |
| Control | | | |
| Button | 5 Keys: -, +, Power, Esc, Enter | | |

DIMENSIONS UNIT:MM



NOTE

1. This is a simplified drawing and some components are not marked in detail.
2. The product shown in this datasheet is a standard model. For diagrams that contain customized or optional I/O, please contact the Winmate Sales Team for more information.
3. All specifications are subject to change without prior notice.