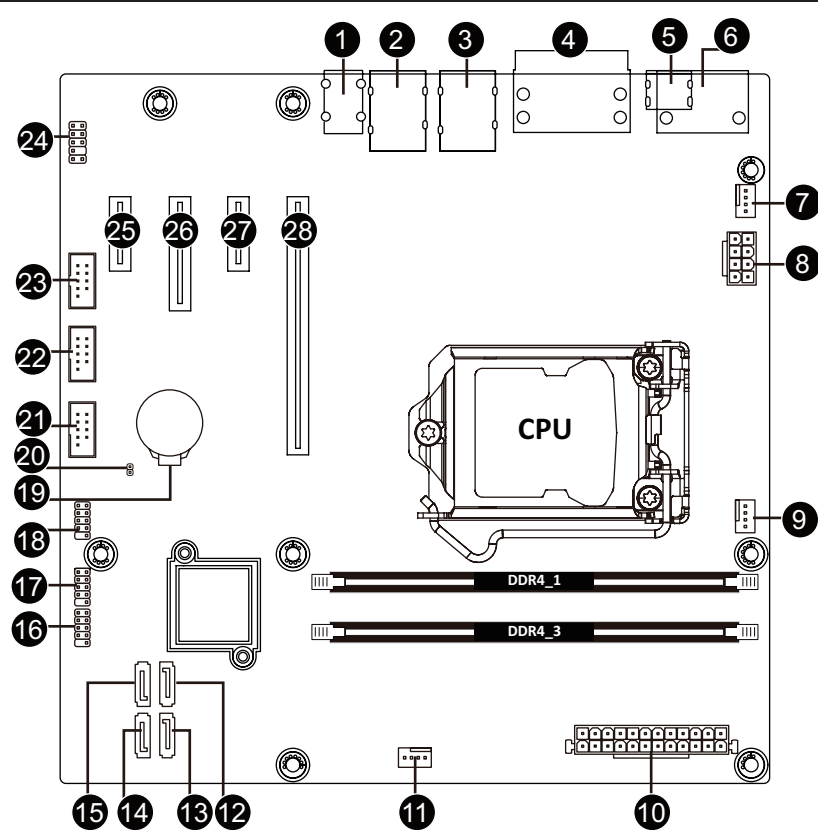
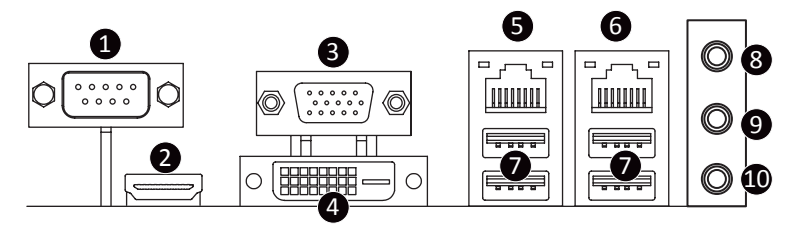


MCH31AM Quick Reference Guide/ 快速测试参考指南

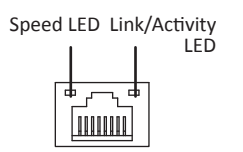


No.	Code	Description
1	AUDIO	Audio connectors
2	USB31_LAN2	GbE LAN port #2 (top) / USB 3.0 ports (bottom)
3	USB31_LAN1	GbE LAN port #1 (top) / USB 3.0 ports (bottom)
4	VGA_DVI	VGA port (top)/DVI-D port (bottom)
5	HDMI	HDMI 1.4 port
6	COM1	Serial port
7	SYS_FAN1	System fan connector #1
8	ATX_12V	8 pin power connector (for CPU)
9	CPU_FAN	CPU fan connector
10	ATX	24 pin main power connector
11	SYS_FAN2	System fan connector#2
12	SATA0	SATA 3 6Gb/s connector #0
13	SATA1	SATA 3 6Gb/s connector #1
14	SATA3	SATA 3 6Gb/s connector #3
15	SATA2	SATA 3 6Gb/s connector #2
16	F_PANEL	Front panel header
17	FUSB2_2	USB 2.0 connector #2
18	FUSB2_1	USB 2.0 connector #1
19	BAT	Battery socket
20	CLR_CMOS	Clear CMOS jumper
21	COM4	Serial port cable connector #4
22	COM3	Serial port cable connector #3
23	COM2	Serial port cable connector #2
24	FP_AUDIO	Front audio connector
25	PCIEX1_2	PCI Express x1 slot (PCIe x1 Signal)
26	PCIEX4	PCI Express x4 slot (PCIe x2 Signal)
27	PCIEX1_1	PCI Express x1 slot (PCIe x1 Signal)
28	PCIEX6	PCI Express x16 slot (PCIe x16 Signal)

Rear I/O Connector/ 后面板接口



No.	Description	No.	Description
1	Serial Port	7	USB 3.0 Port
2	HDMI 1.4 Port	8	Line In
3	VGA Port	9	Line Out
4	DVI-D Port	10	Mic In
5	GbE Ethernet LAN Port #1		
6	GbE Ethernet LAN Port #2		



5 6 10/100/1000 LAN LED:

State	Description
Yellow On	1Gbps data rate
Green On	100Mbps data rate
Off	10Mbps data rate



The HDMI connector is HDCP compliant and supports Dolby True HD and DTS HD Master Audio formats. It also supports up to 192KHz/24bit 8-channel LPCM audio output. You can use this port to connect your HDMI-supported monitor. The maximum supported resolution is 4096x2160@24Hz or 2560x1600@60Hz, but the actual resolutions supported are dependent on the monitor being used.

ATX Power/ 电源

No.	Pin Define	No.	Pin Define
1	3.3V	13	3.3V
2	3.3V	14	-12V
3	GND	15	GND
4	+5V	16	PS_ON
5	GND	17	GND
6	+5V	18	GND
7	GND	19	GND
8	Power Good	20	-5V
9	5VSB	21	+5V
10	+12V	22	+5V
11	+12V	23	+5V
12	3.3V	24	GND

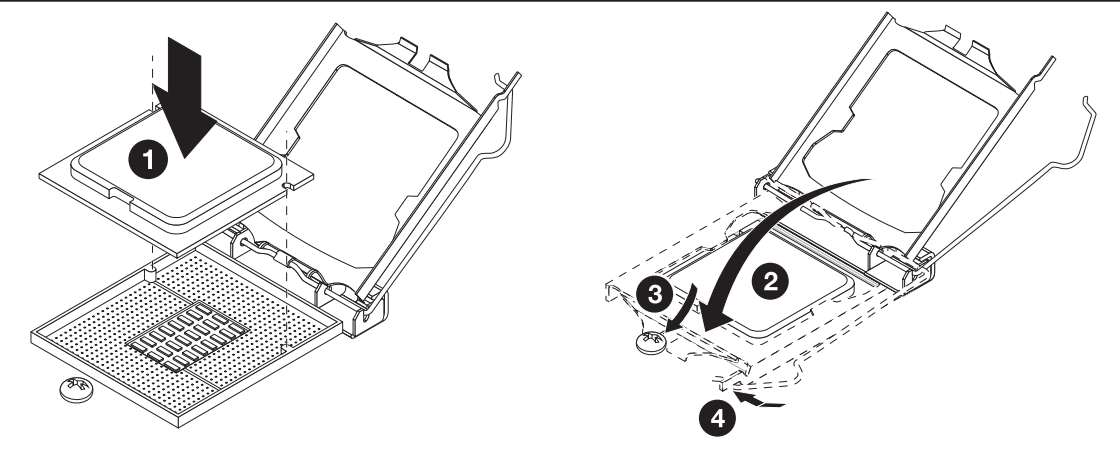
Front Panel Header/ 前面板

No.	Pin Define
1	HDD LED+
2	GND
3	Power LED+
4	HDD LED-
5	Power LED-
6	GND
7	Power Button+
8	Reset Button
9	Power Button-
10	No Connect
11	No Pin

CPU/System FAN/ 风扇

No.	Pin Define
1	GND
2	+12V
3	Sense
4	Speed Control

Installing CPU/ 安装 CPU



SATA Connector/SATA 接口

No.	Pin Define	No.	Pin Define
1	GND	7	GND
2	TXP	8	RXN
3	TXN	9	RXP
4	GND	10	GND
5	RXN	11	GND
6	RXP	12	GND
7	GND	13	GND

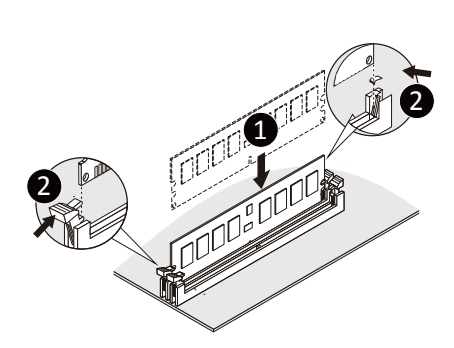
Front Audio Connector/ 前置音频

No.	Pin Define
1	MIC2_L
2	GND
3	MIC2_R
4	FP_AUDIO_DET
5	LINE2_R
6	GND
7	F_Audio_JD
8	No Pin
9	LINE2_L
10	GND

USB 2.0 Header

No.	Pin Define	No.	Pin Define
1	Power (5V)	6	USB DY+
2	Power (5V)	7	GND
3	USB DX-	8	GND
4	USB DY-	9	No Pin
5	USB DX+	10	No Connect

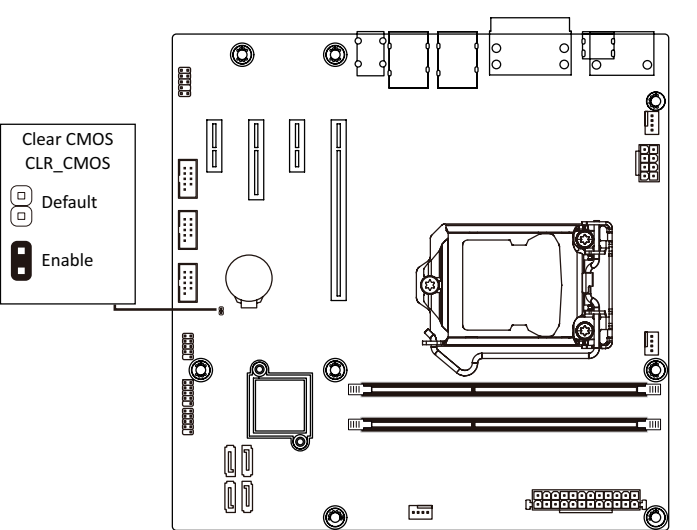
Memory Population Configuration/ 安装内存



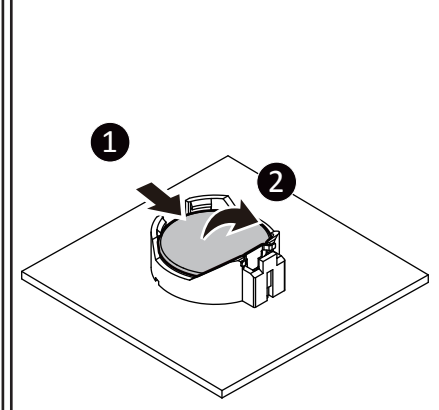
Memory Type	DDR4	
Voltage (V)	1.2V	
Connector	UDIMM	
Speed (MT/s)	2666	2400
Channels	1,2	
DIMM Per Channel	1,2	
DIMM Capacity (GB)	2,4,6,8	

- All channels in system run at the fastest common frequency.
- UDIMM 2666 two DIMMs per channel (2DPC) is supported when channel is populated with the same UDIMM memory module.
- 所有通道模式以最快速率速度运行。
- UDIMM 2666支持每通道两个DIMM (2DPC) 當每通道安装相同速率速度的UDIMM内存模块。

Jumper Settings/ 跳线设置



System Battery



COM2 Connector

No.	Pin Define
1	NDCD-
2	NSIN
3	NSOUT
4	NDTR-
5	GND
6	NDSR-
7	NRTS-
8	NCTS-
9	NRI-
10	No Pin

WEEE Symbol Statement



The symbol shown below is on the product or on its packaging, which indicates that this product must not be disposed of with other waste. Instead, the device should be taken to the waste collection centers for activation of the treatment, collection, recycling and disposal procedure. The separate collection and recycling of your waste equipment at the time of disposal will help to conserve natural resources and ensure that it is recycled in a manner that protects human health and the environment. For more information about where you can drop off your waste equipment for recycling, please contact your local government office, your household waste disposal service or where you purchased the product for details of environmentally safe recycling.

- When your electrical or electronic equipment is no longer useful to you, "take it back" to your local or regional waste collection administration for recycling.
- If you need further assistance in recycling, reusing in your "end of life" product, you may contact us at the Customer Care number listed in your product's user's manual and we will be glad to help you with your effort.

Restriction of Hazardous Substances (RoHS) Directive Statement

GIGABYTE products have not intended to add and safe from hazardous substances (Cd, Pb, Hg, Cr+6, PBDE and PBB). The parts and components have been carefully selected to meet RoHS requirement. Moreover, we at GIGABYTE are continuing our efforts to develop products that do not use internationally banned toxic chemicals.

限制使用有害物质 (RoHS) 指令声明

GIGABYTE产品未故意添加和使用有害物质（Cd、Pb、Hg、Cr+6、PBDE和PBB）。所有部件和元件均经过严格挑选，符合RoHS要求。此外，我们GIGABYTE一直致力于开发不使用国际上禁止的有毒化学品的产品。

California Proposition 65 Warning

WARNING:

This product contains a chemicals , including lead, known to the State of California to cause cancer and birth defects or other reproductive harm. For more information, please visit: <http://www.p65warnings.ca.gov/>



Battery Warning:

Incorrectly installing a battery or using incompatible battery may increase the risk of ifre explosion. Replace the battery only with the same or equivalent type.

- Do not disassemble, crush, punchture batteries.
- Do not store or place your battery pack next to or in a heat source such as a fire, heatgenerating appliance, can or exhaust vent. Heating battery cells to temperatures above 65oC (149oF) can cause explosion or fire.
- Do not attempt to open or service batteries. Do not dispose of batteries in a fire or with household waste.



电池警告：

电池安装不当或使用不兼容的电池会增加火灾爆炸风险。更换电池时，只可使用相同或同等类型的电池。

- 请勿拆解、挤压、刺破电池。
- 请勿将电池存放或放置在热源中或旁边，如火源、产生热的设备、罐体或排气口。电池温度升至65oC (149oF)以上可能导致爆炸或火灾。
- 请勿尝试打开或维修电池。电池废弃时，请勿投入火中或者作为家庭废弃物进行处理。

中华人民共和国电子信息产品中有毒有害物质或元素的名称及含量标识格式

依照中华人民共和国的有毒有害物质的限制要求(China RoHS)提供以下的表格：



关于符合中国《电子信息产品污染控制管理办法》的声明
Management Methods on Control of Pollution from Electronic Information Products
(China RoHS Declaration)

产品中有毒有害物质或元素的名称及含量 Hazardous Substances Table						
部件名称(Parts)	有毒有害物质或元素(Hazardous Substances)					
	铅(Pb)	汞(Hg)	镉(Cd)	六价铬 (Cr(VI))	多溴联苯 (PBB)	多溴二苯醚 (PBDE)
PCB板 PCB	○	○	○	○	○	○
结构件及风扇 Mechanical parts and Fan	×	○	○	○	○	○
芯片及其他主动零件 Chip and other Active components	×	○	○	○	○	○
连接器 Connectors	×	○	○	○	○	○
被动电子元件 Passive Components	×	○	○	○	○	○
线材 Cables	○	○	○	○	○	○
焊接金属 Soldering metal	○	○	○	○	○	○
助焊剂、散热膏、标签及其他耗材 Flux,Solder Paste,Label and other Consumable Materials	○	○	○	○	○	○
○:表示该有毒有害物质在该部件所有均质材料中的含量均在SJ/T11363-2006标准规定的限量要求以下。 Indicates that this hazardous substance contained in all homogenous materials of this part is below the limit requirement SJ/T 11363-2006						
×:表示该有毒有害物质至少在该部件的某一均质材料中的含量超出SJ/T11363-2006标准规定的限量要求。 Indicates that this hazardous substance contained in at least one of the homogenous materials of this part is above the limit requirement in SJ/T 11363-2006						
对销售之日的所发售产品，本表显示我公司供应链的电子信息产品可能包含这些物质。注意：在所售产品中可能会也可能不会含有所有列出的部件。 This table shows where these substances may be found in the supply chain of our electronic information products, as of the date of the sale of the enclosed products, Note that some of the component types listed above may or may not be a part of the enclosed product.						

For more information, visit our website at:

<http://b2b.gigabyte.com>

You are a professional?

Get access to our complete source of sales & marketing materials at:

<http://reseller.b2b.gigabyte.com>

Join our server forum to discuss our products and get technical assistance at:

<https://www.facebook.com/gigabyteserver>

