

# Approval Sheet

<b>Customer</b>	
<b>Product Number</b>	<b>M4DI-8GS1ICSJ-C</b>
<b>Module speed</b>	<b>PC4-2400</b>
<b>Pin</b>	<b>260 pin</b>
<b>CI-tRCD-tRP</b>	<b>17-17-17</b>
<b>Operating Temp</b>	<b>0°C ~85°C</b>
<b>Date</b>	<b>24<sup>th</sup> September 2020</b>

**The Total Solution For  
Industrial Flash Storage**

Rev 1.0

# 1. Features

## Key Parameter

Industry Nomenclature	Speed Grade	Data Rate MT/s			CL	tRCD	tRP
		CL=13	CL=15	CL=17			
PC4-2400	S	1866	2133	2400	17	17	17

- JEDEC Standard 260-pin Small-Outline Dual In-Line Memory Module
- Intend for PC4-2400 applications
- Inputs and Outputs are SSTL-12 compatible
- VDD=VDDQ= 1.2 Volt (1.14V~1.26V)
- VPP=2.5 Volt (2.375V~2.75V)
- VDDSPD=2.2-3.6V
- Low-Power auto self-refresh (LPASR)
- SDRAMs have 16 internal banks for concurrent operation (4 Bank Group of 4 banks each)
- Normal and Dynamic On-Die Termination for data, strobe and mask signals.
- Data bus inversion (DBI) for data bus
- Fixed burst chop (BC) of 4 and burst length (BL) of 8 via the MRS
- Selectable BC4 or BL8 on-the fly (OTF)
- Gold Plating Thickness 30μ"
- Fly-By topology
- Terminated control, command and address bus
- Programmable /CAS Latency: 10,11,12,13,14,15,16,17,18
- On-die VREFDQ generation and Calibration
- Temperature Sensor with SPD EEPROM
- RoHS and Halogen free (*Section 11*)
- ECC function support

## 2. Ordering Information

DDR4 VLP ECC SODIMM						
Part Number	Density	Speed	DIMM Organization	Number of DRAM	Number of rank	ECC
<b>M4DI-8GS1ICSJ-C</b>	8GB	PC4-2400	1Gx72	9	1	Y

### 3. Pin Configurations (Front side/Back side)

#### DDR4 1Gx8 base ECC SODIMM

Pin	Front	Pin	Back	Pin	Front	Pin	Back	Pin	Front	Pin	Back	Pin	Front	Pin	Back
1	VSS	2	VSS	67	DQ29	68	VSS	133	A1	134	EVENT_n, NF	199	DM5_n/ DBI5_n	200	DQS5_t
3	DQ5	4	DQ4	69	VSS	70	DQ24	135	VDD	136	VDD	201	VSS	202	VSS
5	VSS	6	VSS	71	DQ25	72	VSS	137	CK0_t	138	CK1_n/NF	203	DQ46	204	DQ47
7	DQ1	8	DQ0	73	VSS	74	DQS3_c	139	CK0_c	140	CK1_c/NF	205	VSS	206	VSS
9	VSS	10	VSS	75	DM3_n/ DBI3_n	76	DQS3_t	141	VDD	142	VDD	207	DQ42	208	DQ43
11	DQS0_c	12	DM0_n/ DBI0_n	77	VSS	78	VSS	143	PARITY	144	A0	209	VSS	210	VSS
13	DQS0_t	14	VSS	79	DQ30	80	DQ31	145	BA1	146	A10/AP	211	DQ52	212	DQ53
15	VSS	16	DQ6	81	VSS	82	VSS	147	VDD	148	VDD	213	VSS	214	VSS
17	DQ7	18	VSS	83	DQ26	84	DQ27	149	CS0_n	150	BA0	215	DQ49	216	DQ48
19	VSS	20	DQ2	85	VSS	86	VSS	151	WE_n/ A14	152	RAS_n/A16	217	VSS	218	VSS
21	DQ3	22	VSS	87	CB5/NC	88	CB4/NC	153	VDD	154	VDD	219	DQS6_c	220	DM6_n/ DBI6_n
23	VSS	24	DQ12	89	VSS	90	VSS	155	ODT0	156	CAS_n/A15	221	DQS6_t	222	VSS
25	DQ13	26	VSS	91	CB1/NC	92	CB0/NC	157	CS1_n	158	A13	223	VSS	224	DQ54
27	VSS	28	DQ8	93	VSS	94	VSS	159	VDD	160	VDD	225	DQ55	226	VSS
29	DQ9	30	VSS	95	DQS8_c	96	DM8_n/ DBI8_n/NC	161	ODT1	162	C0/ CS2_n/NC	227	VSS	228	DQ50
31	VSS	32	DQS1_c	97	DQS8_t	98	VSS	163	VDD	164	VREFCA	229	DQ51	230	VSS
33	DM1_n/DBI1_n	34	DQS1_t	99	VSS	100	CB6/NC	165	C1, CS3_n, NC	166	SA2	231	VSS	232	DQ60
35	VSS	36	VSS	101	CB2/NC	102	VSS	167	VSS	168	VSS	233	DQ61	234	VSS
37	DQ15	38	DQ14	103	VSS	104	CB7/NC	169	DQ37	170	DQ36	235	VSS	236	DQ57
39	VSS	40	VSS	105	CB3/NC	106	VSS	171	VSS	172	VSS	237	DQ56	238	VSS
41	DQ10	42	DQ11	107	VSS	108	RESET_n	173	DQ33	174	DQ32	239	VSS	240	DQS7_c
43	VSS	44	VSS	109	CKE0	110	CKE1	175	VSS	176	VSS	241	DM7_n/ DBI7_n	242	DQS7_t
45	DQ21	46	DQ20	111	VDD	112	VDD	177	DQS4_c	178	DM4_n/ DBI4_n	243	VSS	244	VSS
47	VSS	48	VSS	113	BG1	114	ACT_n	179	DQS4_t	180	VSS	245	DQ62	246	DQ63
49	DQ17	50	DQ16	115	BG0	116	ALERT_n	181	VSS	182	DQ39	247	VSS	248	VSS
51	VSS	52	VSS	117	VDD	118	VDD	183	DQ38	184	VSS	249	DQ58	250	DQ59
53	DQS2_c	54	DM2_n/ DBI2_n	119	A12	120	A11	185	VSS	186	DQ35	251	VSS	252	VSS
55	DQS2_t	56	VSS	121	A9	122	A7	187	DQ34	188	VSS	253	SCL	254	SDA
57	VSS	58	DQ22	123	VDD	124	VDD	189	VSS	190	DQ45	255	VDDSPD	256	SA0
59	DQ23	60	VSS	125	A8	126	A5	191	DQ44	192	VSS	257	VPP	258	VTT
61	VSS	62	DQ18	127	A6	128	A4	193	VSS	194	DQ41	259	VPP	260	SA1
63	DQ19	64	VSS	129	VDD	130	VDD	195	DQ40	196	VSS				
65	VSS	66	DQ28	131	A3	132	A2	197	VSS	198	DQS5_c				

Note:  
 1. NC = No Connect, RFU = Reserved for Future Use  
 2. Address A17 is only valid for 16 Gb x4 based SDRAMs.  
 3. RAS\_n is a multiplexed function with A16.  
 4. CAS\_n is a multiplexed function with A15.  
 5. WE\_n is a multiplexed function with A14.

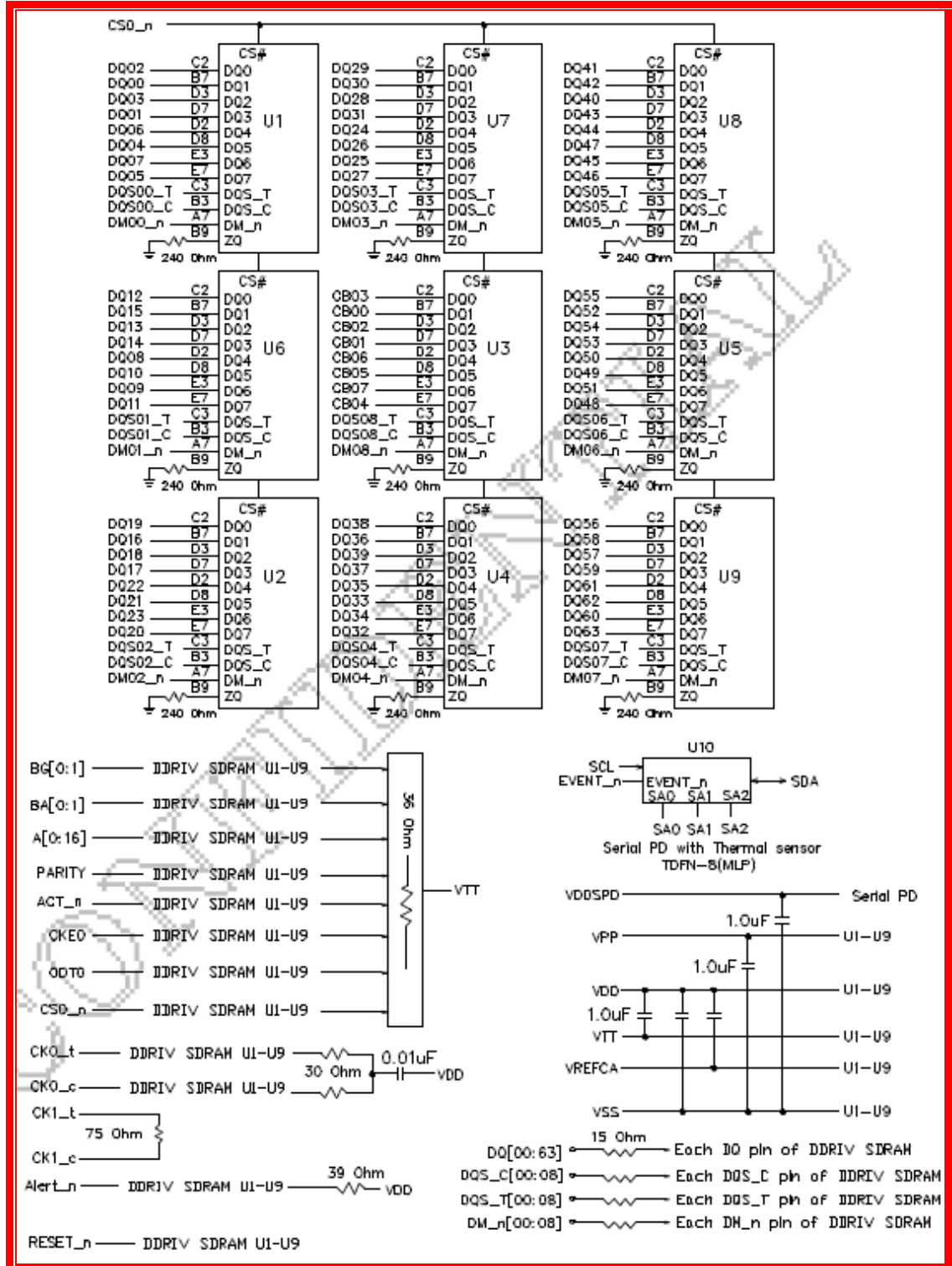
## 4. Architecture

### Pin Definition

Pin Name	Description	Pin Name	Description
A0–A16	SDRAM address bus	SCL	I <sup>2</sup> C serial bus clock for SPD/TS
BA0, BA1	SDRAM bank select	SDA	I <sup>2</sup> C serial bus data line for SPD/TS
BG0, BG1	SDRAM bank group select	SA0–SA2	I <sup>2</sup> C slave address select for SPD/TS
RAS <sub>n</sub> <sup>1</sup>	SDRAM row address strobe	PARITY	SDRAM parity input
CAS <sub>n</sub> <sup>2</sup>	SDRAM column address strobe	VDD	SDRAM I/O & core power supply
WE <sub>n</sub> <sup>3</sup>	SDRAM write enable	VPP	SDRAM activating power supply
CS0 <sub>n</sub> , CS1 <sub>n</sub> CS2 <sub>n</sub> , CS3 <sub>n</sub>	Rank Select Lines	C0, C1	Chip ID lines for 3DS components
CKE0, CKE1	SDRAM clock enable lines	VREFCA	SDRAM command/address reference supply
ODT0, ODT1	SDRAM on-die termination control lines	VSS	Power supply return (ground)
ACT <sub>n</sub>	SDRAM activate	VDDSPD	Serial SPD/TS positive power supply
DQ0–DQ63	DIMM memory data bus	ALERT <sub>n</sub>	SDRAM ALERT <sub>n</sub>
CB0–CB7	DIMM ECC check bits (for x72 module)		
DQS0 <sub>t</sub> –DQS8 <sub>t</sub>	SDRAM data strobes (positive line of differential pair)	RESET <sub>n</sub>	Set SDRAMs to a Known State
DQS0 <sub>c</sub> –DQS8 <sub>c</sub>	SDRAM data strobes (negative line of differential pair)	EVENT <sub>n</sub>	SPD signals a thermal event has occurred.
DM0 <sub>n</sub> –DM8 <sub>n</sub> , DBI0 <sub>n</sub> –DBI8 <sub>n</sub>	SDRAM data masks/data bus inversion (x8-based x72 DIMMs)	VTT	Termination supply for the Address, Command and Control bus
CK0 <sub>t</sub> , CK1 <sub>t</sub>	SDRAM clocks (positive line of differential pair)	NC	No connection
CK0 <sub>c</sub> , CK1 <sub>c</sub>	SDRAM clocks (negative line of differential pair)		

**Note 1** RAS<sub>n</sub> is a multiplexed function with A16.  
**Note 2** CAS<sub>n</sub> is a multiplexed function with A15.  
**Note 3** WE<sub>n</sub> is a multiplexed function with A14.

5. Function Block Diagram:  
- (8GB, 1 Rank 1Gx8 DDR4 SDRAMs)



Note: 1. The ZQ ball on each DDR4 component is connected to an external 240Ω ±1% resistor that is tied to ground. It is used for the calibration of the component's ODT and output driver.

## 6. SDRAM Absolute Maximum Ratings

Symbol	Parameter	Rating	Units	Note	
T <sub>OPER</sub>	Operation Temperature	Normal Operating Temp.	0 to 85	°C	1,2
		Extended Temp.	85 to 95	°C	1,3
T <sub>STG</sub>	Storage Temperature	-55 to 100	°C	4,5	
V <sub>IN</sub> , V <sub>OUT</sub>	Voltage on any pins relative to V <sub>SS</sub>	-0.3 to +1.5	V	4	
V <sub>DD</sub>	Voltage on VDD supply relative to V <sub>SS</sub>	-0.3 to +1.5	V	4,6	
V <sub>DDQ</sub>	Voltage on VDDQ supply relative to V <sub>SS</sub>	-0.3 to +1.5	V	4,6	

### Note:

- 1) Operating Temperature T<sub>OPER</sub> is the case surface temperature on the center/top side of the DRAM.
- 2) The Normal Temperature Range specifies the temperatures where all DRAM specifications will be supported. During operation, the DRAM case temperature must be maintained between 0-85°C under all operating conditions.
- 3) Some applications require operation of the Extended Temperature Range between 85°C and 95°C case temperature. Full specifications are guaranteed in this range, but the following additional conditions apply:
  - a) Refresh commands must be doubled in frequency, therefore reducing the refresh interval t<sub>REFI</sub> to 3.9 $\mu$ s.
  - b) If Self-Refresh operation is required in the Extended Temperature Range, then it is mandatory to either use the Manual Self-Refresh mode with Extended Temperature Range capability (MR2 A6 = 0b and MR2 A7 = 1b), in this case IDD6 current can be increased around 10~20% than normal Temperature range.
4. Stresses greater than those listed under "Absolute Maximum Ratings" may cause permanent damage to the device. This is stress rating only, and functional operation of the device at these or any other conditions above those indicated in the operational sections of this specification is not implied. Exposure to absolute maximum rating conditions for extended periods may affect reliability.
5. Storage Temperature is the case surface temperature on the center/top side of the DRAM. For the measurement conditions, please refer to JESD51-2 standard.
6. VDD and VDDQ must be within 300 mV of each other at all times; and VREF must be not greater than 0.6 x VDDQ, When VDD and VDDQ are less than 500 mV; VREF may be equal to or less than 300 mV

## 7. Operating Condition

Symbol	Parameter	Min	Nom	Max	Units	Notes
VDD	Supply Voltage	1.14	1.2	1.26	V	1
VPP	DRAM activating power supply	2.375	2.5	2.75	V	2
VREFCA(DC)	Input reference voltage command/ address bus	0.49 x VDD	0.5 x VDD	0.51 x VDD	V	3
VTT	Termination Voltage	0.49 x VDD	0.5 x VDD	0.51 x VDD	V	4

**Note:**

1. VDDQ tracks with VDD; VDDQ and VDD are tied together.
2. VPP must be greater than or equal to VDD at all times.
3. VREFCA must not be greater than 0.6 x VDD. When VDD is less than 500mV, VREF may be less than or equal to 300mV.
4. VTT termination voltages in excess of the specification limit adversely affect the voltage margins of command and address signals and reduce timing margins.



## 8. Operating, Standby, and Refresh Currents

- 8GB ECC SODIMM (1 Rank 1Gx8 DDR4 SDRAMs)

Symbol	Proposed Conditions	Value		Units
		IDD Max.	IPP Max.	
IDD0	Operating One Bank Active-Precharge Current (AL=0)CKE: High; External clock: On; tCK, nRC, nRAS, CL: Refer to Component Datasheet for detail pattern; BL: 81; AL: 0; CS_n: Highbetween ACT and PRE; Command, Address, Bank Group Address, Bank Address Inputs: partially toggling; Data IO: VDDQ; DM_n:stable at 1; Bank Activity: Cycling with one bank active at a time: 0,0,1,1,2,2,... ; Output Buffer and RTT: Enabled in Mode Registers2;ODT Signal: stable at 0; Pattern Details: Refer to Component Datasheet for detail pattern	279	36	mA
IDD0A	Operating One Bank Active-Precharge Current (AL=CL-1) AL = CL-1, Other conditions: see IDD0	306	36	mA
IDD1	Operating One Bank Active-Read-Precharge Current (AL=0)CKE: High; External clock: On; tCK, nRC, nRAS, nRCD, CL: Refer to Component Datasheet for detail pattern; BL: 81; AL: 0; CS_n: Highbetween ACT, RD and PRE; Command, Address, Bank Group Address, Bank Address Inputs, Data IO: partially toggling; DM_n: stableat 1; Bank Activity: Cycling with one bank active at a time: 0,0,1,1,2,2,... ; Output Buffer and RTT: Enabled in Mode Registers2; ODT Signal: stable at 0; Pattern Details: Refer to Component Datasheet for detail pattern	405	36	mA
IDD1A	Operating One Bank Active-Read-Precharge Current (AL=CL-1) AL = CL-1, Other conditions: see IDD1	432	36	mA
IDD2N	Precharge Standby Current (AL=0)CKE: High; External clock: On; tCK, CL: Refer to Component Datasheet for detail pattern; BL: 81; AL: 0; CS_n: stable at 1; Command,Address, Bank Group Address, Bank Address Inputs: partially toggling ; Data IO: VDDQ; DM_n: stable at 1; Bank Activity: all banks closed; Output Buffer and RTT: Enabled in Mode Registers2; ODT Signal: stable at 0; Pattern Details: Refer to Component Datasheet for detail pattern	207	27	mA
IDD2NA	Precharge Standby Current (AL=CL-1) AL = CL-1, Other conditions: see IDD2N	234	27	mA

IDD2NT	Precharge Standby ODT Current CKE: High; External clock: On; tCK, CL: Refer to Component Datasheet for detail pattern; BL: 81; AL: 0; CS_n: stable at 1; Command, Address, Bank Group Address, Bank Address Inputs: partially toggling ; Data IO: VSSQ; DM_n: stable at 1; Bank Activity: all banks closed; Output Buffer and RTT: Enabled in Mode Registers2; ODT Signal: toggling according ; Pattern Details: Refer to Component Datasheet for detail pattern	234	27	mA
IDD2NL	Precharge Standby Current with CAL enabled Same definition like for IDD2N, CAL enabled3	153	27	mA
IDD2NG	Precharge Standby Current with Gear Down mode enabled Same definition like for IDD2N, Gear Down mode enabled3	207	27	mA
IDD2ND	Precharge Standby Current with DLL disabled Same definition like for IDD2N, DLL disabled3	189	27	mA
IDD2N_par	Precharge Standby Current with CA parity enabled Same definition like for IDD2N, CA parity enabled3	216	27	mA
IDD2P	Precharge Power-Down Current CKE: Low; External clock: On; tCK, CL: Refer to Component Datasheet for detail pattern; BL: 81; AL:0; CS_n: stable at 1; Command, Address, Bank Group Address, Bank Address Inputs: stable at 0; Data IO: VDDQ; DM_n: stable at 1; Bank Activity: all banks closed; Output Buffer and RTT: Enabled in Mode Registers2; ODT Signal: stable at 0	144	27	mA
IDD2Q	Precharge Quiet Standby Current CKE: High; External clock: On; tCK, CL: Refer to Component Datasheet for detail pattern; BL: 81; AL: 0; CS_n: stable at 1; Command, Address, Bank Group Address, Bank Address Inputs: stable at 0; Data IO: VDDQ; DM_n: stable at 1; Bank Activity: all banks closed; Output Buffer and RTT: Enabled in Mode Registers2; ODT Signal: stable at 0	189	27	mA
IDD3N	Active Standby Current CKE: High; External clock: On; tCK, CL: Refer to Component Datasheet for detail pattern; BL: 81; AL: 0; CS_n: stable at 1; Command, Address, Bank Group Address, Bank Address Inputs: partially toggling ; Data IO: VDDQ; DM_n: stable at 1; Bank Activity: all banks open; Output Buffer and RTT: Enabled in Mode Registers2; ODT Signal: stable at 0; Pattern Details: Refer to Component Datasheet for detail pattern	324	27	mA

IDD3NA	Active Standby Current (AL=CL-1) AL = CL-1, Other conditions: see IDD3N	342	27	mA
IDD3P	Active Power-Down Current CKE: Low; External clock: On; tCK, CL: sRefer to Component Datasheet for detail pattern; BL: 81; AL: 0; CS_n: stable at 1; Command, Address, Bank Group Address, Bank Address Inputs: stable at 0; Data IO: VDDQ; DM_n: stable at 1; Bank Activity: all banks open; Output Buffer and RTT: Enabled in Mode Registers2; ODT Signal: stable at 0	198	27	mA
IDD4R	Operating Burst Read Current CKE: High; External clock: On; tCK, CL: Refer to Component Datasheet for detail pattern; BL: 82; AL: 0; CS_n: High between RD; Command, Address, Bank Group Address, Bank Address Inputs: partially toggling ; Data IO: seamless read data burst with different data between one burst and the next one according ; DM_n: stable at 1; Bank Activity: all banks open, RD commands cycling through banks: 0,0,1,1,2,2,... ; Output Buffer and RTT: Enabled in Mode Registers2; ODT Signal: stable at 0; Pattern Details: Refer to Component Datasheet for detail pattern	963	27	mA
IDD4RA	Operating Burst Read Current (AL=CL-1) AL = CL-1, Other conditions: see IDD4R	999	27	mA
IDD4RB	Operating Burst Read Current with Read DBI Read DBI enabled <sup>3</sup> , Other conditions: see IDD4R	981	27	mA
IDD4W	Operating Burst Write Current CKE: High; External clock: On; tCK, CL: Refer to Component Datasheet for detail pattern; BL: 81; AL: 0; CS_n: High between WR; Command, Address, Bank Group Address, Bank Address Inputs: partially toggling ; Data IO: seamless write data burst with different data between one burst and the next one ; DM_n: stable at 1; Bank Activity: all banks open, WR commands cycling through banks: 0,0,1,1,2,2,... ; Output Buffer and RTT: Enabled in Mode Registers2; ODT Signal: stable at HIGH; Pattern Details: Refer to Component Datasheet for detail pattern	801	27	mA
IDD4WA	Operating Burst Write Current (AL=CL-1) AL = CL-1, Other conditions: see IDD4W	846	27	mA
IDD4WB	Operating Burst Write Current with Write DBI Write DBI enabled <sup>3</sup> , Other conditions: see IDD4W	810	27	mA

IDD4WC	Operating Burst Write Current with Write CRC Write CRC enabled <sup>3</sup> , Other conditions: see IDD4W	747	27	mA
IDD4W_par	Operating Burst Write Current with CA Parity CA Parity enabled <sup>3</sup> , Other conditions: see IDD4W	891	27	mA
IDD5B	Burst Refresh Current (1X REF) CKE: High; External clock: On; tCK, CL, nRFC: Refer to Component Datasheet for detail pattern; BL: 81; AL: 0; CS_n: High between REF; Command, Address, Bank Group Address, Bank Address Inputs: partially toggling ; Data IO: VDDQ; DM_n: stable at 1; Bank Activity: REF command every nRFC ; Output Buffer and RTT: Enabled in Mode Registers <sup>2</sup> ; ODT Signal: stable at 0; Pattern Details: Refer to Component Datasheet for detail pattern	1791	162	mA
IDD5F2	Burst Refresh Current (2X REF) tRFC=tRFC_x2, Other conditions: see IDD5B	1251	135	mA
IDD5F4	Burst Refresh Current (4X REF) tRFC=tRFC_x4, Other conditions: see IDD5B	1053	126	mA
IDD6N	Self Refresh Current: Normal Temperature Range TCASE: 0 - 85°C; Low Power Array Self Refresh (LP ASR) : Normal <sup>4</sup> ; CKE: Low; External clock: Off; CK_t and CK_c#: LOW; CL: Refer to Component Datasheet for detail pattern; BL: 81; AL: 0; CS_n#, Command, Address, Bank Group Address, Bank Address, Data IO: High; DM_n: stable at 1; Bank Activity: Self-Refresh operation; Output Buffer and RTT: Enabled in Mode Registers <sup>2</sup> ; ODT Signal: MIDDLELEVEL	207	36	mA
IDD6E	Self-Refresh Current: Extended Temperature Range) TCASE: 0 - 95°C; Low Power Array Self Refresh (LP ASR) : Extended <sup>4</sup> ; CKE: Low; External clock: Off; CK_t and CK_c: LOW; CL: Refer to Component Datasheet for detail pattern; BL: 81; AL: 0; CS_n, Command, Address, Bank Group Address, Bank Address, Data IO: High; DM_n:stable at 1; Bank Activity: Extended Temperature Self-Refresh operation; Output Buffer and RTT: Enabled in Mode Registers <sup>2</sup> ; ODT Signal: MID-LEVEL	306	45	mA

<p>IDD6R</p>	<p>Self-Refresh Current: Reduced Temperature Range            TCASE: 0 - 45 °C; Low Power Array Self Refresh (LP ASR) : Reduced4; CKE: Low; External clock: Off; CK_t and CK_c#: LOW; CL: see Table 34 on p age 37; BL: 81; AL: 0; CS_n#, Command, Address, Bank Group Address, Bank Address, Data IO: High; DM_n:stable at 1; Bank Activity: Extended Temperature Self-Refresh operation; Output Buffer and RTT: Enabled in Mode Registers2; ODT Signal: MIDLEVEL</p>	<p>144</p>	<p>45</p>	<p>mA</p>
<p>IDD6A</p>	<p>Auto Self-Refresh Current            TCASE: 0 - 95°C; Low Power Array Self Refresh (LP ASR) : Auto4;CKE: Low; External clock: Off; CK_t and CK_c#: LOW; CL: see Table 34 on p age 37; BL: 81; AL: 0; CS_n#, Command, Address, Bank Group Address, Bank Address, Data IO: High; DM_n:stable at 1; Bank Activity: Auto Self-Refresh operation; Output Buffer and RTT: Enabled in Mode Registers2; ODT Signal: MID-LEVEL</p>	<p>198</p>	<p>45</p>	<p>mA</p>
<p>IDD7</p>	<p>Operating Bank Interleave Read Current            CKE: High; External clock: On; tCK, nRC, nRAS, nRCD, nRRD, nFAW, CL: Refer to Component Datasheet for detail pattern; BL: 81; AL: CL-1; CS_n: High between ACT and RDA; Command, Address, Bank Group Address, Bank Address Inputs: partially toggling ; DataIO: read data bursts with different data between one burst and the next one ; DM_n: stable at 1; Bank Activity: two times interleaved cycling through banks (0, 1, ...7) with different addressing; Output Buffer and RTT: Enabled in Mode Registers2; ODT Signal: stable at 0; Pattern Details: Refer to Component Datasheet for detail pattern</p>	<p>1287</p>	<p>76.5</p>	<p>mA</p>
<p>IDD8</p>	<p>Maximum Power Down Current TBD</p>	<p>99</p>	<p>27</p>	<p>mA</p>

## 9. Timing Parameters

Clock Timing				
Parameter	Symbol	MIN	MAX	Units
Minimum Clock Cycle Time (DLL off mode)	tCK (DLL_OFF)	8	20	ns
Average Clock Period	tCK(avg)	0.833	<0.938	ns
Average high pulse width	tCH(avg)	0.48	0.52	tCK(avg)
Average low pulse width	tCL(avg)	0.48	0.52	tCK(avg)
Absolute Clock Period	tCK(abs)	tCK(avg)min + tJIT(per)min_ to t	tCK(avg)m ax + tJIT(per)m ax_tot	tCK(avg)
Absolute clock HIGH pulse width	tCH(abs)	0.45	-	tCK(avg)
Absolute clock LOW pulse width	tCL(abs)	0.45	-	tCK(avg)
Clock Period Jitter- total	JIT(per)_tot	-42	42	ps
Clock Period Jitter- deterministic	JIT(per)_dj	-21	21	ps
Clock Period Jitter during DLL lock-ing period	tJIT(per, lck)	-33	33	ps
Cycle to Cycle Period Jitter	tJIT(cc)_to-tal	83		ps
Cycle to Cycle Period Jitter during DLL locking period	tJIT(cc, lck)	67		ps
Cumulative error across 2 cycles	tERR(2per)	-61	61	ps
Cumulative error across 3 cycles	tERR(3per)	-73	73	ps
Cumulative error across 4 cycles	tERR(4per)	-81	81	ps
Cumulative error across 5 cycles	tERR(5per)	-87	87	ps
Cumulative error across 6 cycles	tERR(6per)	-92	92	ps
Cumulative error across 7 cycles	tERR(7per)	-97	97	ps

Cumulative error across 8 cycles	tERR(8per)	-101	101	ps
Cumulative error across 9 cycles	tERR(9per)	-104	104	ps
Cumulative error across 10 cycles	tERR(10per)	-107	107	ps
Cumulative error across 11 cycles	tERR(11per)	-110	110	ps
Cumulative error across 12 cycles	tERR(12per)	-112	112	ps
Cumulative error across 13 cycles	tERR(13per)	-114	114	ps
Cumulative error across 14 cycles	tERR(14per)	-116	116	ps
Cumulative error across 15 cycles	tERR(15per)	-118	118	ps
Cumulative error across 16 cycles	tERR(16per)	-120	120	ps
Cumulative error across 17 cycles	tERR(17per)	-122	122	ps
Cumulative error across 18 cycles	tERR(18per)	-124	124	ps
Cumulative error across n = 13, 14 . . . 49, 50 cycles	tERR(nper)	$tERR(nper)_{min} = ((1 + 0.68\ln(n)) * tJIT(per)_{total\ min})$ $tERR(nper)_{max} = ((1 + 0.68\ln(n)) * tJIT(per)_{total\ max})$		ps
Command and Address setup time to CK_t, CK_c referenced to Vih(ac) / Vil(ac) levels	tIS(base)	62	-	ps
Command and Address setup time to CK_t, CK_c referenced to Vref levels	tIS(Vref)	162	-	ps
Command and Address hold time to CK_t, CK_c referenced to Vih(dc) / Vil(dc) levels	tIH(base)	87	-	ps
Command and Address hold time to CK_t, CK_c referenced	tIH(Vref)	162	-	ps

to Vref levels				
Control and Address Input pulse width for each input	tIPW	410	-	ps
<b>Command and Address Timing</b>				
Parameter	Symbol	MIN	MAX	Units
CAS_n to CAS_n command delay for same bank group	tCCD_L	max(5 nCK, 5 ns)	-	nCK
CAS_n to CAS_n command delay for different bank group	tCCD_S	4	-	nCK
ACTIVATE to ACTIVATE Command delay to different bank group for 2KB page size	tRRD_S(2K)	Max(4nCK,5. 3ns)	-	nCK
ACTIVATE to ACTIVATE Command delay to different bank group for 1KB page size	tRRD_S(1K)	Max(4nCK,3. 3ns)	-	nCK
ACTIVATE to ACTIVATE Command delay to different bank group for 1/2KB page size	tRRD_S(1/2K)	Max(4nCK,3. 3ns)	-	nCK
ACTIVATE to ACTIVATE Command delay to same bank group for 2KB page size	tRRD_L(2K)	Max(4nCK,6. 4ns)	-	nCK
ACTIVATE to ACTIVATE Command delay to same bank group for 1KB page size	tRRD_L(1K)	Max(4nCK,4. 9ns)	-	nCK
ACTIVATE to ACTIVATE Command delay to same bank group for 1/2KB page size	tRRD_L(1/2K)	Max(4nCK,4. 9ns)	-	nCK
Four activate window for 2KB page size	tFAW_2K	Max(28nCK,3 0ns)	-	ns
Four activate window for 1KB page size	tFAW_1K	Max(20nCK,2 1ns)	-	ns
Four activate window for 1/2KB page size	tFAW_1/2K	Max(16nCK,1 3ns)	-	ns
Delay from start of internal write transaction to internal read com-mand for different	tWTR_S	max(2nCK,2. 5ns)	-	



bank group				
Delay from start of internal write transaction to internal read com-mand for same bank group	tWTR_L	max(4nCK,7.5ns)	-	
Internal READ Command to PRE-CHARGE Command delay	tRTP	max(4nCK,7.5ns)	-	
WRITE recovery time	tWR	15	-	ns
Write recovery time when CRC and DM are enabled	tWR_CRC_DM	tWR+max(5nCK,3.75ns)	-	ns
delay from start of internal write transaction to internal read com-mand for different bank group with both CRC and DM enabled	tWTR_S_CRC_DM	tWTR_S+max(5nCK,3.75ns)	-	ns
delay from start of internal write transaction to internal read com-mand for same bank group with both CRC and DM enabled	tWTR_L_CRC_DM	tWTR_L+max(5nCK,3.75ns)	-	ns
DLL locking time	tDLLK	768	-	nCK
Mode Register Set command cycle time	tMRD	8	-	nCK
Mode Register Set command up-date delay	tMOD	max(24nCK,15ns)	-	
Multi-Purpose Register Recovery Time	tMPRR	1	-	nCK
Multi Purpose Register Write Re-covey Time	tWR_MPR	tMOD (min) + AL + PL	-	-
Auto precharge write recovery + precharge time	tDAL(min)	Programmed WR + roundup ( tRP / tCK(avg))		nCK
DQ0 or DQL0 driven to 0 set-up time to first DQS rising edge	tPDA_S	0.5	-	UI
DQ0 or DQL0 driven to 0 hold time from last DQS fall-ing	tPDA_H	0.5	-	UI

edge				
<b>CS_n to Command Address Latency</b>				
CS_n to Command Address Latency	tCAL	5	-	nCK
<b>DRAM Data Timing</b>				
DQS_t,DQS_c to DQ skew, per group, per access	tDQSQ	-	0.16	tCK(avg) /2
DQ output hold time from DQS_t,DQS_c	tQH	0.78	-	tCK(avg) /2
Data Valid Window per device: tQH - tDQSQ for a device	tDVWd	0.64	-	UI
Data Valid Window per device, per pin: tQH - tDQSQ each device's out-put	tDVWp	0.72	-	UI
<b>Data Strobe Timing</b>				
DQS_t, DQS_c differential READ Preamble	tRPRE	0.9	-	tCK
DQS_t, DQS_c differential READ Postamble	tRPST	0.33	-	tCK
DQS_t,DQS_c differential output high time	tQSH	0.4	-	tCK
DQS_t,DQS_c differential output low time	tQSL	0.4	-	tCK
DQS_t, DQS_c differential WRITE Preamble	tWPRE	0.9	-	tCK
DQS_t, DQS_c differential WRITE Postamble	tWPST	0.33	-	tCK
DQS_t and DQS_c low-impedance time (Referenced from RL-1)	tLZ(DQS)	-330	175	ps
DQS_t and DQS_c high-impedance time (Referenced from RL+BL/2)	tHZ(DQS)	-	175	ps
DQS_t, DQS_c differential input low pulse width	tDQSL	0.46	0.54	tCK
DQS_t, DQS_c differential	tDQSH	0.46	0.54	tCK

input high pulse width				
DQS_t, DQS_c rising edge to CK_t, CK_c rising edge (1 clock preamble)	tDQSS	-0.27	0.27	tCK
DQS_t, DQS_c falling edge setup time to CK_t, CK_c rising edge	tDSS	0.18	-	tCK
DQS_t, DQS_c falling edge hold time from CK_t, CK_c rising edge	tDSH	0.18	-	tCK
DQS_t, DQS_c rising edge output timing locatino from rising	tDQSK (DLL On)	-175	175	ps
DQS_t, DQS_c rising edge output variance window per DRAM	tDQSKI (DLL On)		290	ps
<b>MPSM Timing</b>				
Command path disable delay upon MPSM entry	tMPED	tMOD(min) + tCPDED(min)	-	
Valid clock requirement after MPSM entry	tCKMPE	tMOD(min) + tCPDED(min)	-	
Valid clock requirement before MPSM exit	tCKMPX	tCKSRX(min)		
Exit MPSM to commands not requiring a locked DLL	tXMP	txs(imin)		
Exit MPSM to commands requiring a locked DLL	tXMPDLL	tXMP(min) + tXSDLL(min)		
CS setup time to CKE	tMPX_S	tISmin + tIHmin	-	
<b>Calibration Timing</b>				
Power-up and RESET calibration time	tZQinit	1024	-	nCK
Normal operation Full calibration time	tZQoper	512	-	nCK
Normal operation Short calibration time	tZQCS	128	-	nCK
<b>Reset/Self Refresh Timing</b>				

Exit Reset from CKE HIGH to a valid command	command tXPR	max (5nCK,tRFC(min))+ 10ns)	-	
Exit Self Refresh to commands not requiring a locked DLL	tXS	tRFC(min)+1 0ns	-	
SRX to commands not requiring a locked DLL in Self Refresh ABORT	tX-S_ABORT( min)	tRFC4(min)+ 10ns	-	
Exit Self Refresh to ZQCL,ZQCS and MRS (CL,CWL,WR,RTP and Gear Down)	tXS_FAST (min)	tRFC4(min)+ 10ns	-	
Exit Self Refresh to commands re-quiring a locked DLL	tXSDLL	tDLLK(min)	-	
Minimum CKE low width for Self re-fresh entry to exit timing	tCKESR	tCKE(min)+1 nCK	-	
Minimum CKE low width for Self re-fresh entry to exit timing with CA Parity enabled	tCKESR_PAR	tCKE(min)+ 1nCK+PL	-	
Valid Clock Requirement after Self Refresh Entry (SRE) or Power- Down Entry (PDE)	tCKSRE	max(5nCK,10 ns)	-	
Valid Clock Requirement after Self Refresh Entry (SRE) or Power- Down when CA Parity is enabled	tCKS-RE_PAR	max (5nCK,10ns) +PL	-	
Valid Clock Requirement before Self Refresh Exit (SRX) or Power-Down Exit (PDX) or Reset Exit	tCKSRX	max(5nCK,10 ns)	-	
<b>Power Down Timing</b>				
Exit Power Down with DLL on to any valid command;Exit Precharge Power Down with DLL frozen to commands not requiring a locked DLL	tXP	(4nCK,6ns)	-	

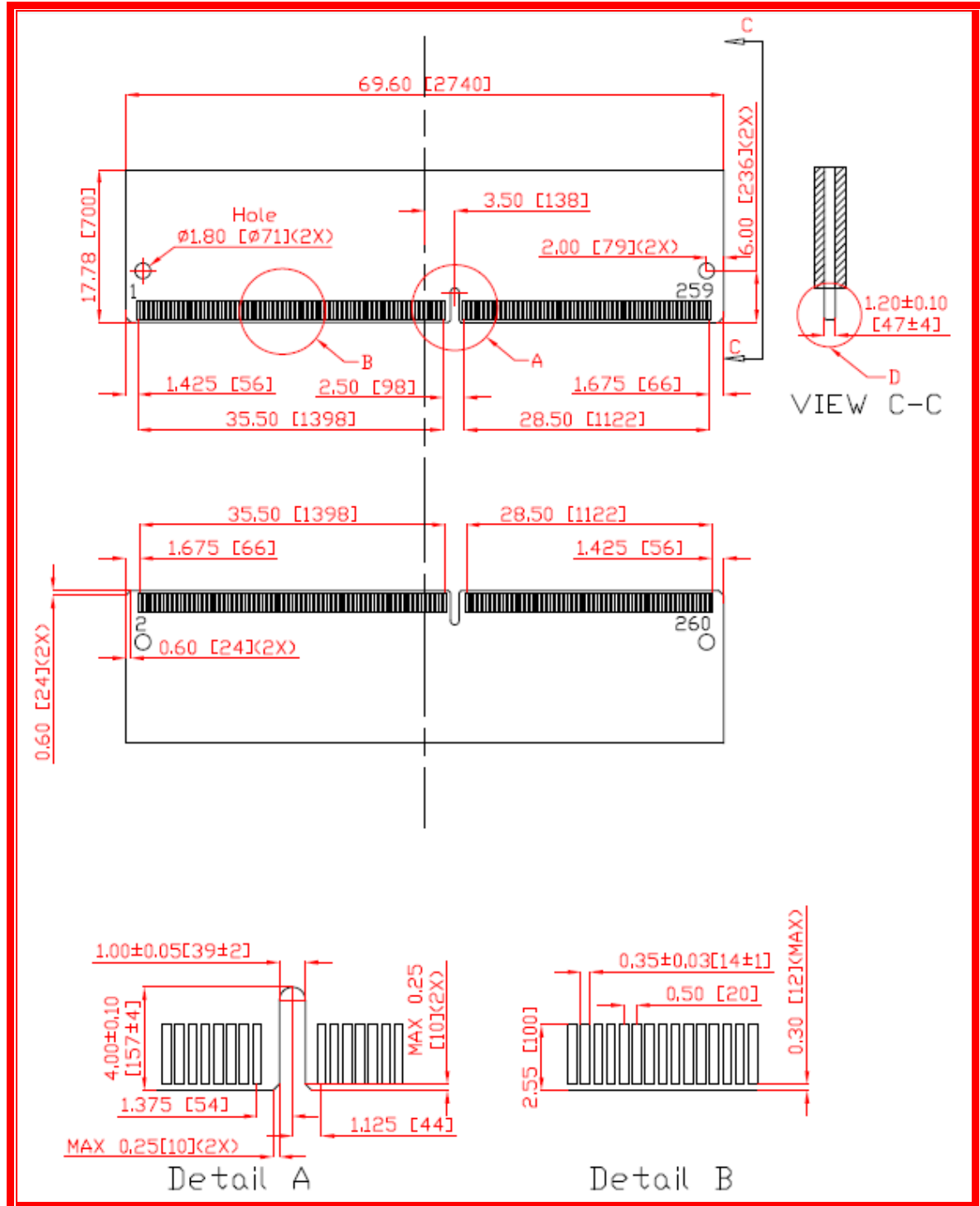
CKE minimum pulse width	tCKE	max (3nCK, 5ns)	-	
Command pass disable delay	tCPDED	4	-	nCK
Power Down Entry to Exit Timing	tPD	tCKE(min)	9*tREFI	
Timing of ACT command to Power Down entry	tACTPDEN	2	-	nCK
Timing of PRE or PREA command to Power Down entry	tPRPDEN	2	-	nCK
Timing of RD/RDA command to Power Down entry	tRDPDEN	RL+4+1	-	nCK
Timing of WR command to Power Down entry (BL8OTF, BL8MRS, BC4OTF)	tWRPDEN	WL+4+(tWR/tCK(avg))	-	nCK
Timing of WRA command to Power Down entry (BL8OTF, BL8MRS, BC4OTF)	tWRAPDEN	WL+4+WR+1	-	nCK
Timing of WR command to Power Down entry (BC4MRS)	tWRP-BC4DEN	WL+2+(tWR/tCK(avg))	-	nCK
Timing of WRA command to Power Down entry (BC4MRS)	tWRAP-BC4DEN	WL+2+WR+1	-	nCK
Timing of REF command to Power Down entry	tREFPDEN	2	-	nCK
Timing of MRS command to Power Down entry	tMRSPDEN	tMOD(min)	-	
<b>PDA Timing</b>				
Mode Register Set command cycle time in PDA mode	tMRD_PDA	max(16nCK, 10ns)		
Mode Register Set command up-date delay in PDA mode	tMOD_PDA	tMOD		
<b>ODT Timing</b>				
Asynchronous RTT turn-on delay (Power-Down with DLL frozen)	tAONAS	1.0	9.0	ns
Asynchronous RTT turn-off delay (Power-Down with DLL	tAOFAS	1.0	9.0	ns

frozen)				
RTT dynamic change skew	tADC	0.3	0.7	tCK(avg)
<b>Write Leveling Timing</b>				
First DQS_t/DQS_n rising edge af-ter write leveling mode is pro-grammed	tWLMRD	40	-	nCK
DQS_t/DQS_n delay after write lev-eling mode is programmed	tWLDQSEN	25	-	nCK
Write leveling setup time from rising CK_t, CK_c crossing to rising DQS_t/DQS_n crossing	tWLS	0.13	-	tCK(avg)
Write leveling hold time from rising DQS_t/DQS_n crossing to rising CK_t, CK_crossing	tWLH	0.13	-	tCK(avg)
Write leveling output delay	tWLO	0	9.5	ns
Write leveling output error	tWLOE			ns
<b>CA Parity Timing</b>				
Commands not guaranteed to be executed during this time	tPAR_UN-KNOWN	-	PL	
Delay from errant command to ALERT_n assertion	tPAR_ALERT_ON	-	PL+6ns	
Pulse width of ALERT_n signal when asserted	tPAR_ALERT_PW	72	144	nCK
Time from when Alert is asserted till controller must start providing DES commands in Persistent CA parity mode	tPAR_ALERT_RSP	-	64	nCK
Parity Latency	PL	5		nCK
<b>CRC Error Reporting</b>				
CRC error to ALERT_n latency	tCRC_ALERT	3	13	ns
CRC ALERT_n pulse width	CRC_ALERT_PW	6	10	nCK
<b>tREFI</b>				
tRFC1 (min)	2Gb	160	-	ns

	4Gb	260	-	ns
	8Gb	350	-	ns
	16Gb	550	-	ns
tRFC2 (min)	2Gb	110	-	ns
	4Gb	160	-	ns
	8Gb	260	-	ns
	16Gb	350	-	ns
tRFC3 (min)	2Gb	90	-	ns
	4Gb	110	-	ns
	8Gb	160	-	ns
	16Gb	260	-	ns

**10. PACKAGE DIMENSION**

- (8GB, 1 Rank 1Gx8 DDR4 base VLP ECC SODIMM)



Note: All dimensions are in millimeters (mils) and should be kept within a tolerance of  $\pm 0.15$  (6), unless otherwise specified



## 11. RoHS Declaration

innodisk

宜鼎國際股份有限公司  
Innodisk Corporation

Tel:(02)7703-3000 Fax:(02) 7703-3555 Internet: http://www.innodisk.com/

## RoHS 自我宣告書 (RoHS Declaration of Conformity)

**Manufacturer Product: All Innodisk EM Flash and Dram products**

- 一、宜鼎國際股份有限公司（以下稱本公司）特此保證售予貴公司之所有產品，皆符合歐盟 2011/65/EU 及 (EU) 2015/863 關於 RoHS 之規範要求。  
Innodisk Corporation declares that all products sold to the company, are complied with European Union RoHS Directive (2011/65/EU) and (EU) 2015/863 requirement.
- 二、本公司同意因本保證書或與本保證書相關事宜有所爭議時，雙方宜友好協商，達成協議。  
Innodisk Corporation agrees that both parties shall settle any dispute arising from or in connection with this Declaration of Conformity by friendly negotiations.
- 三、本公司聲明我們的產品符合 RoHS 指令的附件中 (7a)、(7c-1) 允許豁免。  
We declare, our products permitted by the following exemptions specified in the Annex of the RoHS directive.
- ※ (7a) Lead in high melting temperature type solders (i.e. lead-based alloys containing 85% by weight or more lead).
- ※ (7C-1) Electrical and electronic components containing lead in a glass or ceramic other than dielectric ceramic in capacitors, e.g. piezoelectric devices, or in a glass or ceramic matrix compound.

Name of hazardous substance	Limited of RoHS ppm (mg/kg)
鉛 (Pb)	< 1000 ppm
汞 (Hg)	< 1000 ppm
鎘 (Cd)	< 100 ppm
六價鉻 (Cr 6+)	< 1000 ppm
多溴聯苯 (PBBs)	< 1000 ppm
多溴二苯醚 (PBDEs)	< 1000 ppm
鄰苯二甲酸二(2-乙基己基)酯 (DEHP)	< 1000 ppm
鄰苯二甲酸丁酯苯甲酯 (BBP)	< 1000 ppm
鄰苯二甲酸二丁酯 (DBP)	< 1000 ppm
鄰苯二甲酸二異丁酯 (DIBP)	< 1000 ppm

## 立保證書人 (Guarantor)

Company name 公司名稱：Innodisk Corporation 宜鼎國際股份有限公司

Company Representative 公司代表人：Randy Chien 簡川勝

Company Representative Title 公司代表人職稱：Chairman 董事長

Date 日期：2018 / 07 / 01



## Revision Log

Rev	Date	Modification
0.1	24 <sup>th</sup> September 2020	Preliminary Edition
1.0	24 <sup>th</sup> September 2020	Official Released