



Features

- Intel Celeron Processor N2930 1.83GHz
- Fanless and extendable I/O design
- 1 x 204-pin SO-DIMM slot up to 8GB DDR3L 1333MHz
- Wide range DC 9~36V power input
- 1 x 2.5" SATA2 HDD space

Specifications

| System | |
|----------------------|--|
| Processor | Intel Celeron Processor N2930 1.83GHz |
| System Chipset | SoC |
| System Memory | 1 x 204-pin SO-DIMM slot up to 8GB DDR3L 1333MHz |
| Outside IO Port | |
| USB | 2 x USB 3.0 type A, 4 x USB 2.0 type A |
| Serial/Parallel | 1 x RS-232/422/485 DB-9, COM1, default RS-232 1 x RS-232 DB-9, COM2 |
| Audio | 1 x Line-out |
| LAN | 2 x GbE LAN RJ-45 |
| Display Interface | 1 x VGA, 1 x HDMI |
| Power | 1 x 3-pin DC power input terminal, 1 x power button with light |
| Options (Either One) | 1 x RS-232 DB-9, COM3 1 x GPIO 8-bit digital I/O(4 x DI, 4 x DO) |

| Storage | |
|---------|--|
| Storage | 1 x 2.5" SATA2 HDD space (easy accessible) |

| Expansion | |
|----------------|--|
| Expansion Slot | 1 x Mini-PCIe slot full size 1 x Mini-PCIe slot full size (shared with mSATA) |

| Power | |
|-------------------|----------|
| Power Input | DC 9~36V |
| Power Consumption | MAX: 17W |

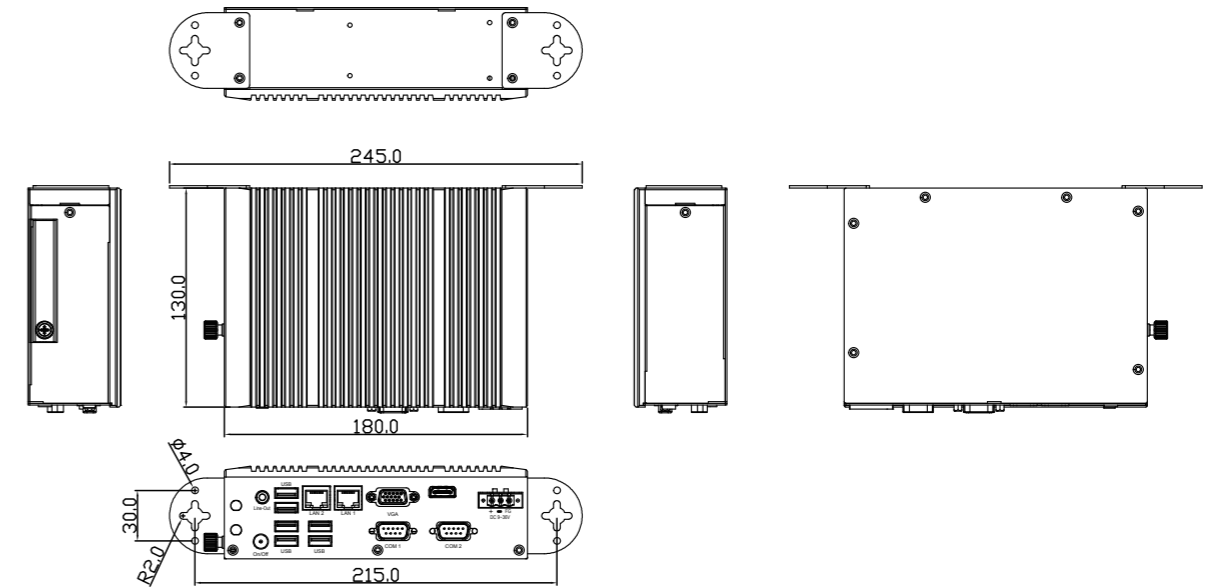
| Mechanical | |
|-----------------|---|
| Construction | Plating titanium gray aluminum heatsink and black steel chassis |
| IP Rating | IP30 |
| Mounting | Wall Mount, Din Rail for option |
| Dimension | 180 x 130 x 55 mm |
| Net weight(kgs) | 1.3 Kg |

| Environmental | |
|-----------------------|------------------------------|
| Operating Temperature | 0~50°C / -20~60°C (option) |
| Storage Temperature | -30~70 °C |
| Storage Humidity | 10~90% @40 °C non-condensing |
| Certificate | CE / FCC Class A |

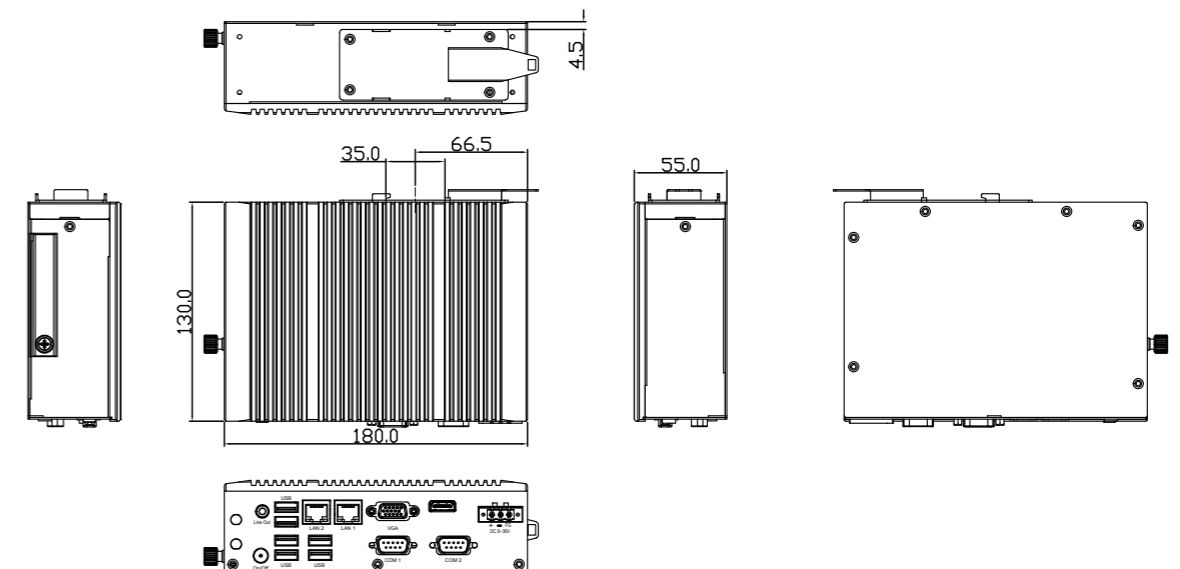
| Operating System Support | |
|---|--|
| Windows 7 Pro for Embedded, Windows Embedded Standard 7, Windows Embedded 8.1 Industry Pro, Windows Embedded 8 Standard, Windows 10 IoT ENT 2016 LTSB Entry | |

Dimensions

ACS-2311_WALL MOUNT



ACS-2311_DIN RAIL



Ordering information

| | |
|-------------|--|
| ACS-2311-01 | Fanless Box PC, Intel Celeron N2930 CPU, 4GB DDR3L memory, 32GB MLC SSD, 1 x mini-PCIe slot Full size, 1 x mini-PCIe slot Full size (shared with mSATA), DC 9~36V power input with adaptor, Steel Chassis with Aluminum Heatsink |
|-------------|--|