

# BYTEM200-121 BYTEM200-W156

**Compact Panel PC**  
All-in-One Fanless Industrial Compact Panel PC  
with 11th Gen Intel® Core™ i5/i3 processors

BYTEM Series 12.1" 15.6"



## I/O View



BYTEM200-121



BYTEM200-W156



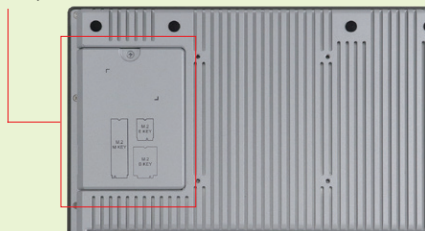
## Features

- 11th Gen Intel® Core™ i5/i3 processors
- 12.1"/15.6" projected capacitive touch screen
- True flat front bezel touch screen with IP66 front panel

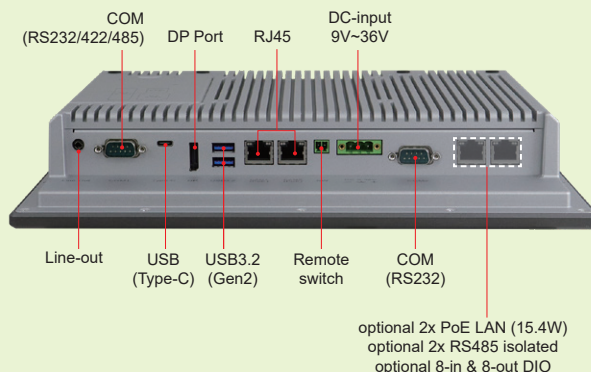


### • Quick Opening for Accessible Expansion Slots

- 1x M.2 2230 E-Key socket for WLAN & BT
- 1x M.2 3042/52 B-Key socket for WWAN
- 1x M.2 2280 M-Key socket for NVMe SSD



- Modularized expansion I/O design
- 1x USB Type-C single cable with PD/DP/USB
- DC 9V~36V wide-range power input



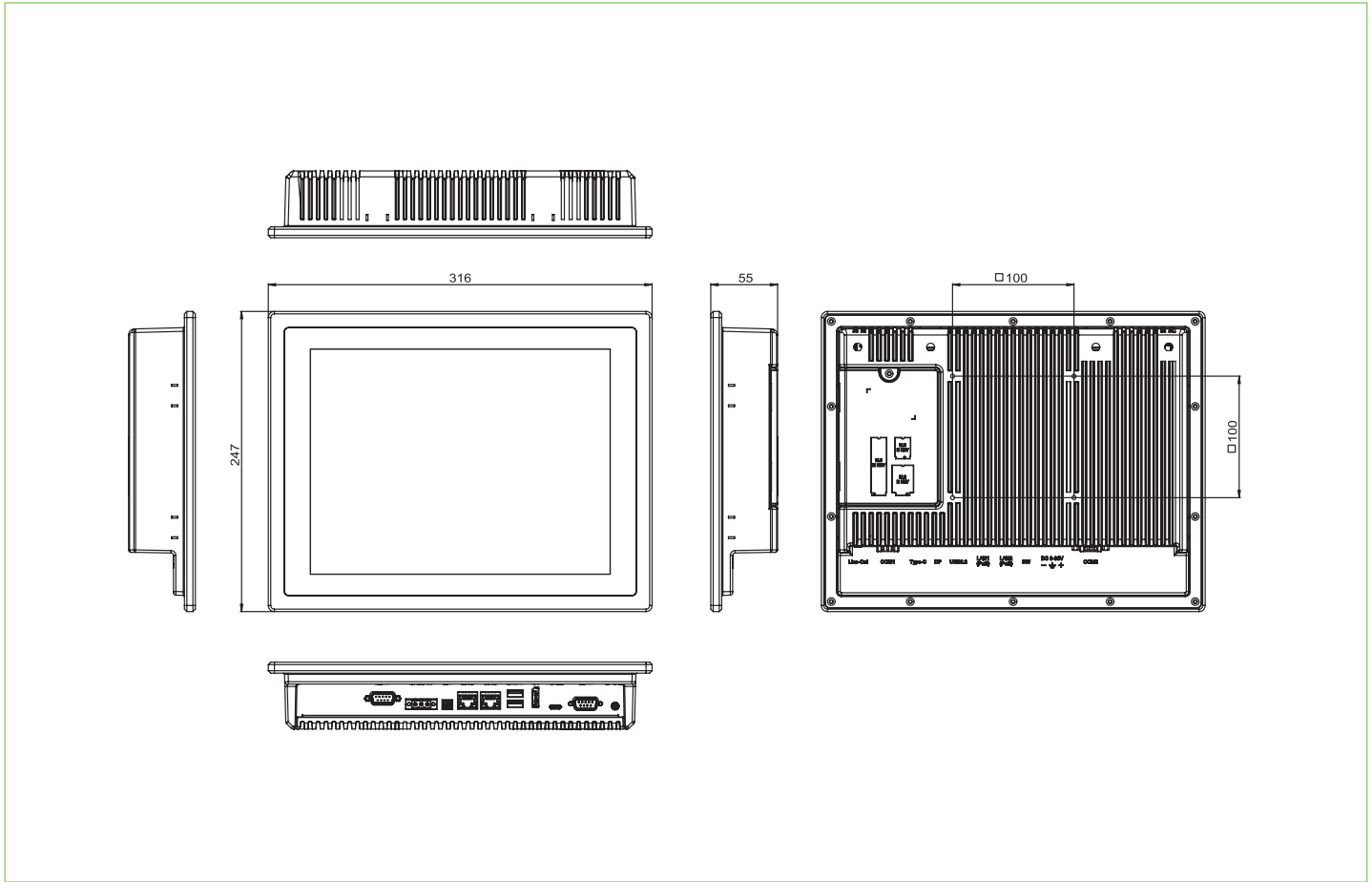
# BYTEM200-121 / BYTEM200-W156

## Specifications

Model No.		BYTEM200-121	BYTEM200-W156
Display & Touch Screen	Display Size	12.1" TFT-LCD	15.6" TFT-LCD
	Max. Resolution	1024 x 768	1920 x 1080
	Luminance (cd/m <sup>2</sup> )	500	
	Contrast	1000:1	
	Max. Color	16.2M	16.7M
	View Angle (H°/V°)	176/176	178/178
	Backlight Lifetime(hrs)	30,000	50,000
	Touch Type	Projected capacitive	
	Touch Interface	USB	
	Light Transmission (%)	86	
	Point of touch	10	
System	Processor	Intel® Core™ i5-1145G7E (1.5 GHz, 8MB cache) Intel® Core™ i3-1115G4E (2.2 GHz, 6MB cache)	
	Memory	1x DDR4 SO-DIMM, up to 32GB	
	Thermal Design	Fanless	
	Membrane Control	None	
	Built-in Speaker/MIC	None	
I/O Interface	USB 3.0	2	
	USB 2.0	0	
	RS-232/422/485 Selectable in BIOS	1	
	RS-232	1	
	LAN	2x GbE	
	Additional Graphics	DisplayPort	
	Audio	1x Line-out / MIC-in	
	Digital I/O	8-in/8-out GPIO (optional)	
	Power Connector	3-pin terminal block	
	Power Button	2-pin terminal block (remote)	
Mechanical	Dimensions (mm)	316 x 247 x 55	TBD
	Net Weight (kg)	TBD	TBD
Expansion	Internal Expansion Bus	1x M.2 E-key 2230 1x M.2 B-key 3042/52 1x M.2 M-key 2280	
	Expansion Slot	None	
	Wireless	Optional Wi-Fi/BT	
Storage Space	HDD	1x M.2 M-key 2280 (NVMe + SATA)	
	Removable	None	
Power	Power Input Range	9V~36V DC input	
Construction	Chassis Material	Aluminum	
	Color (Front/Back)	Gray / Silver	
	IP Rating	IP66 front bezel	
	Mounting	Panel mount VESA 100 x 100mm	
Environmental	Operating Temperature	-20°C ~ 50°C	
	Storage Temperature	-30°C~70°C	
	Storage Humidity	10%~90% (non-condensing)	
	Certification	CE (EN 62368 / EN55032 / EN55035) FCC Class B	
	Supported Operating Systems	Windows 10 (64-bits) Linux Ubuntu 16.04+	

# BYTEM200-121 / BYTEM200-W156

## Dimensions



## Ordering Information

BYTEM200-121	12.1" Industrial Panel PC with MBP-200, 11th Gen Intel® Core™ i5-1145G7E Processor, 8GB DDR4 SO-DIMM, 128GB NVMe SSD, projected capacitive touch, w/o power adaptor
BYTEM200-W156	15.6" Industrial Panel PC with MBP-200, 11th Gen Intel® Core™ i5-1145G7E Processor, 8GB DDR4 SO-DIMM, 128GB NVMe SSD, projected capacitive touch, w/o power adaptor