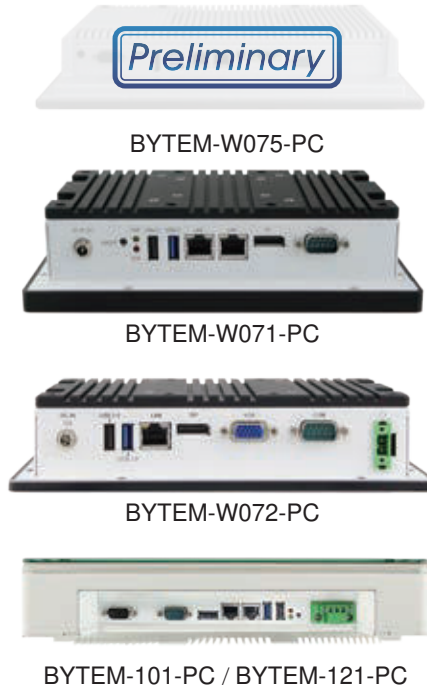


BYTEM Series   



I/O View

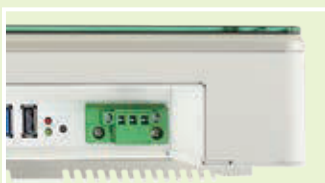


Features

- Supports Intel® Atom® Processor
- Very low power consumption
- Fanless design



- 9V~30V DC wide-range power input
(for BYTEM-101-PC / BYTEM-121-PC)



- Flat panel design with projected capacitive touch
- IP65 front-panel waterproof protection



- Easily accessible 2.5" HDD storage



- Compact size



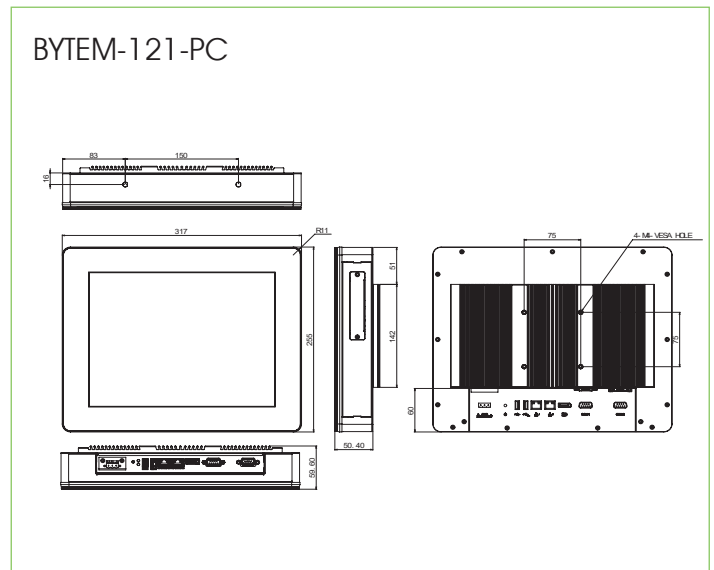
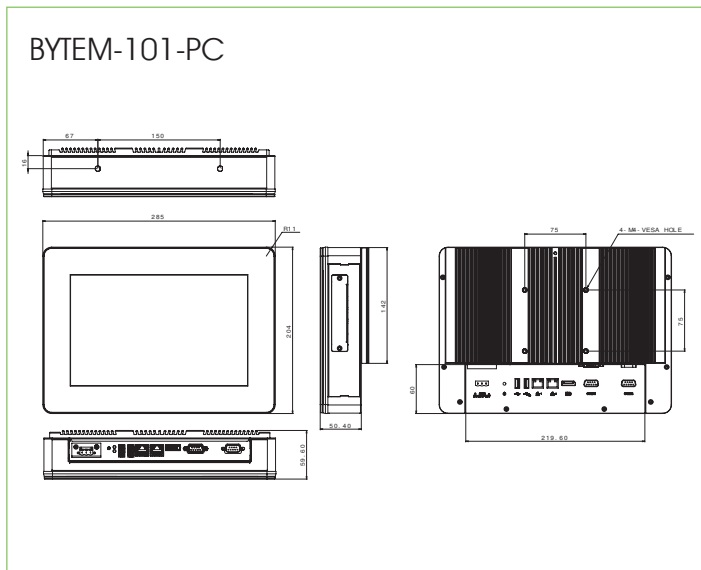
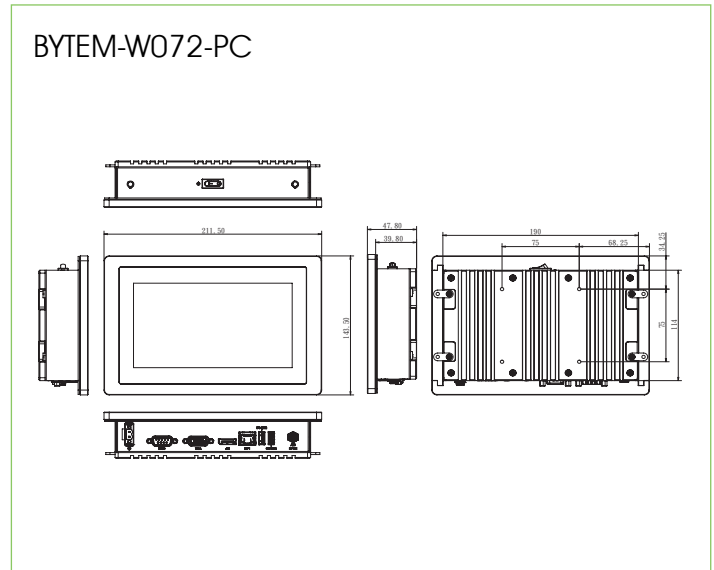
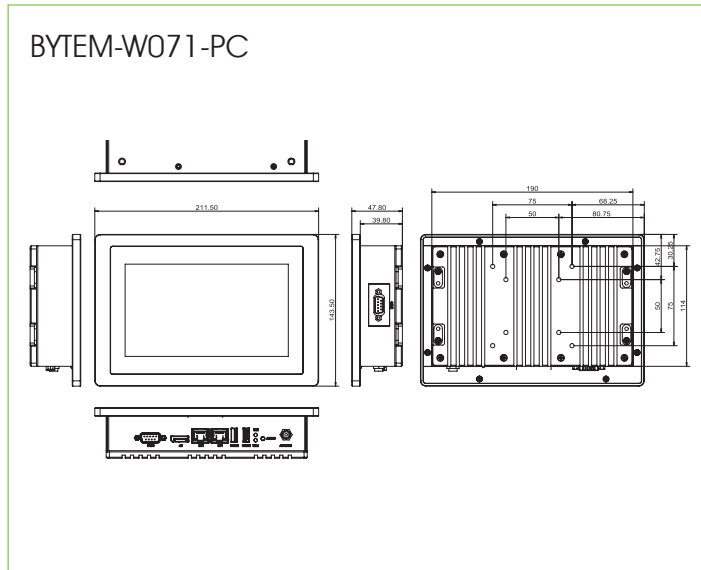
BYTEM-W071-PC / BYTEM-W072-PC / BYTEM-W075 BYTEM-101-PC / BYTEM-121-PC

Specifications

Model No.	BYTEM-W071-PC	BYTEM-W072-PC	BYTEM-W075	BYTEM-101-PC	BYTEM-121-PC
Display & Touch Screen	Display Size	7" TFT-LCD		10.1" TFT-LCD	12.1" TFT-LCD
	Max. Resolution	1024 x 600		1280 x 800	1024 x 768
	Luminance (cd/m ²)	500		350	
	Contrast	800:1		800:1	
	Max. Color	16.7M		262K	16.7M
	View Angle (H°/V°)	150/150		170/170	160/160
	Backlight Lifetime(hrs)	50000		15000	30000
	Touch Type	Projected capacitive		Projected capacitive	
	Touch Interface	USB		USB	
	Light Transmission (%)	85		85	
Point of touch	10		2		
System	Processor	Intel® Atom® Processor E3815 (Single-Core @ 1.46GHz)	Intel® Atom® Processor E3825 (Dual Cores @ 1.33 GHz)	Intel® Atom® Processor x6425E (Quad Cores @ 1.8 GHz)	Intel® Atom® Processor E3845 (Quad-Core @ 1.91GHz)
	Memory	2x DDR3L SO-DIMM, up to 4GB, default DDR3L 2GB (2GBx1)	1x DDR3L SO-DIMM, up to 4GB, default DDR3L 2GB (Non-ECC)	1x DDR4 SO-DIMM, up to 16GB, default DDR4 4GB (1BECC)	2x DDR3L SO-DIMM, up to 8GB, default DDR3L 4GB (4GBx1)
	Thermal Design	Fanless		Fanless	
	Membrane Control	None		None	
	Built-in Speaker/MIC	None		None	
I/O Interface	USB 3.0	1	1	4	1
	USB 2.0	1	1	0	1
	RS-232/422/485 Selectable in BIOS	1		1	
	RS-232	1		1	
	LAN	2x GbE	1x RJ45 with GbE LAN	2x GbE	2x GbE
	Additional Graphics	DP		HDMI	DP
	Audio	None		None	
	Digital I/O	None		None	
	Power Connector	Power jack		3-pin terminal block	3-pin terminal block
	Power Button	Reset button	1x Power rocker switch	1x power remote switch	Reset button
Mechanical	Dimensions (mm)	211.5 x 143.5 x 52	221.5 x 143.5 x 45.8	211.5 x 143.5 x 52	285 x 204 x 59.6 / 317 x 255 x 59.6
	Net Weight (kg)	1.5		3.3	4.3
Expansion	Internal Expansion Bus	1x mPCI-E(x1) w/ USB signal [half-size] 1x mSATA/mPCI-E(x1) w/ USB signal and mSATA supports [full-size]	1x miniPCI-E [half-size]	1x full-size mPCI-E(x1) w/ USB + PCI-E signal 1x M.2 E-key 2230 1x M.2 B-key 3042	1x mPCI-E(x1) w/ USB signal [half-size] 1x mSATA/mPCI-E(x1) w/ USB signal and mSATA supports [full-size]
	Expansion Slot	None		None	
	Wireless	optional Wi-Fi/BT		optional Wi-Fi/BT	
Storage Space	HDD	1x 2.5" SATA	mSATA, default 64GB mSATA	1x 2.5" SATA	1x 2.5" SATA
	Removable	None		None	
Power	Power Input Range		12V DC input	9~30V DC input	
Construction	Chassis Material	Aluminum front bezel and white steel back cover with aluminum heat-sink	Aluminum front bezel	Aluminum front bezel and white steel back cover with aluminum heat-sink	Aluminum front bezel and white steel back cover with aluminum heat-sink
	Color (Front/Back)	Black / white		Black / white	
	IP Rating	IP65 front bezel		IP65 front bezel	
	Mounting	Panel mount and VESA 50x50, 75x75 mm	Panel mount and VESA 75x75 mm		VESA 75x75 mm
Environmental	Operating Temperature	-10°C ~ 50°C		0°C ~ 40°C (with HDD/CFast) 0°C ~ 50°C (with SSD)	
	Storage Temperature	-30°C~70°C		-20°C~60°C	
	Storage Humidity	10%~90% (non-condensing)			
	Certification	CE/FCC Class-B			
	Supported Operating Systems	Windows 8 32/64-bit, Windows 7 Pro for Embedded 64-bit, WES7 64-bit			

BYTEM-W071-PC / BYTEM-W072-PC / BYTEM-W075 BYTEM-101-PC / BYTEM-121-PC

Dimensions



Ordering Information

BYTEM-W075	7" Flat Panel Design Panel PC with IB837, Intel® Atom® Processor x6425E 1.8GHz, 4GB DDR4 SO-DIMM, 64GB SSD, projected capacitive touch, w/ 60W power adaptor
BYTEM-W071-PC	7" Flat Panel Design Panel PC with IB897, Intel® Atom® Processor E3815 1.46GHz, 2GB DDR3L SO-DIMM, 32G SSD, projected capacitive touch, w/ 60W power adaptor
BYTEM-W072-PC	7" Flat Panel Design Panel PC with IB898, Intel® Atom® Processor E3825 1.33GHz, DDR3L SO-DIMM 2GB, with 64G mSATA, projected capacitive touch, with 12V power adaptor
BYTEM-101-PC	10.1" Flat Panel Design Panel PC with IB897, Intel® Atom® Processor E3845 1.91GHz, 4GB DDR3L SO-DIMM, 64G SSD, projected capacitive touch, w/o power adaptor
BYTEM-121-PC	12.1" Flat Panel Design Panel PC with IB897, Intel® Atom® Processor E3845 1.91GHz, 4GB DDR3L SO-DIMM, 64G SSD, projected capacitive touch, w/o power adaptor
Power adaptor (optional)	AC 90V~240V input, 12V DC output 84W power adaptor, IBASE P/N: A005PS084W0050000P