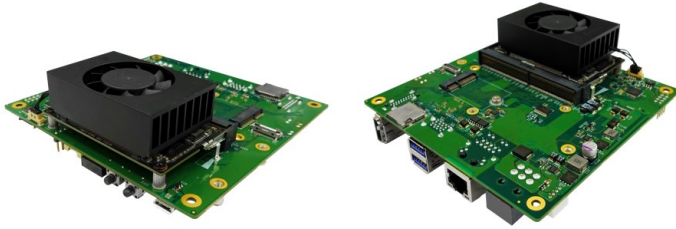


# AI Inference / DeviceEdge

# Jetson Platform AN810-XNX AN810-XNX16



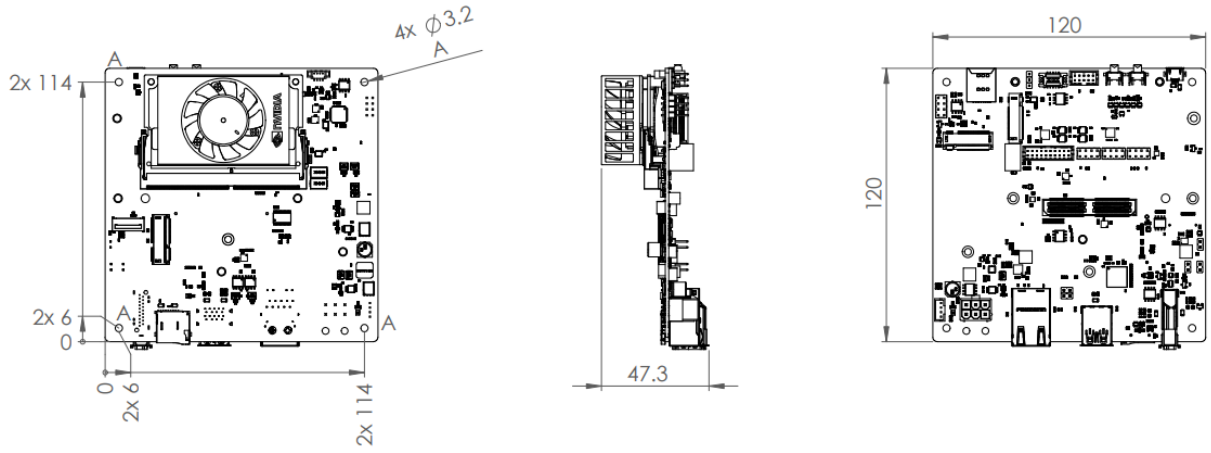
## Features

- Support NVIDIA® Jetson Xavier™ NX 8GB/16GB module for AI application development
- 1 x B-Key/1 x E-Key/1 x M-Key slot
- Power Input Range 12 to 19VDC
- MicroSD for storage extension
- -20°C ~ + 70°C operating temperature

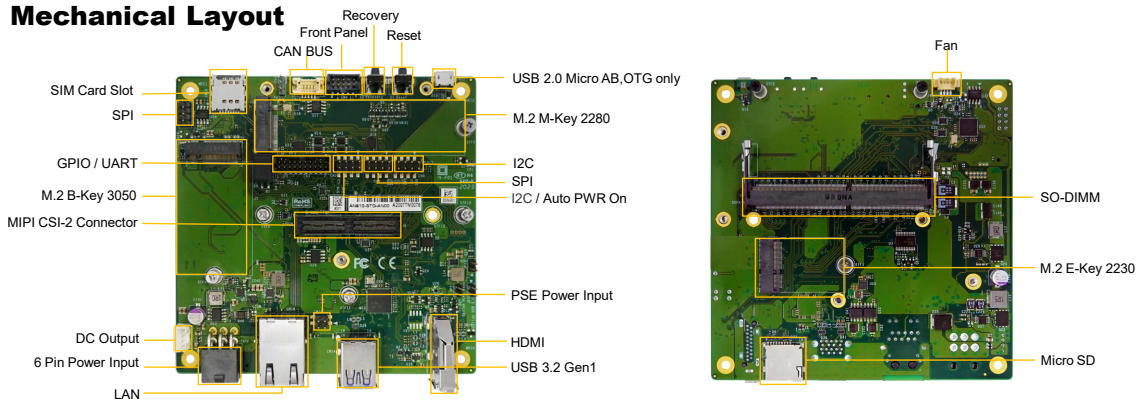
## Specifications

Model Number	AN810-XNX16	AN810-XNX
Module Compatibility	NVIDIA Jetson Xavier NX	
AI Performance	14TOPS (INT8) 10W 21TOPS (INT8) 15W	
GPU	384 CUDA cores and 48 Tensor cores	
CPU	6-core NVIDIA Carmel ARM@v8.2 64-bit CPU 6MB L2 + 4MB L3	
Memory	16 GB 128-bit LPDDR4x 59.7GB/s	8 GB 128-bit LPDDR4x 59.7GB/s
Storage	16 GB eMMC 5.1	
Display	1x HDMI Type A	
Audio	HDMI Integrated	
Camera Input	1x 12-Lane MIPI Expansion Connector (120 Pin)	
LAN	1 x RJ-45 GbE Ports	
USB	2 x USB 3.2 Gen1 Type A 1x USB2.0 Micro AB (OTG Only)	
I/O Interfaces	5 x GPIO, 1 x SPI, 3 x I <sup>2</sup> C, 2 x UART1 / UART2, 1 x UART3 (Debug Only), 1 x RS-232, 1x CAN	
Expansion	1 x M.2 B-Key 3050 (LTE/5G - USB3) w/ sim holder: cellular function 1 x M.2 E-Key 2230 (PCIe/USB2): WIFI/BT Module 1 x M.2 M-Key (NVMe) 2280: Storage 1 x MicroSD slot	
MISC. Function	1 x Recovery / Reset Button	
Power Consumption	Idle: 1.68 W (Connect With Keyboard, Mouse and HDMI Display) Full Loading: 15.97 W (Connect With Keyboard, Mouse and HDMI Display With CPU And GPU 100% Loading)	
Power Input / Connector	DC-in 12~19V/6-pin ATX power connector	
Dimension (W x D x H)	120 x 120 x 28.5mm	
Net Weight	190g (With Fansink)	
Temperature	Operating Temp.: -20°C ~ + 70°C / Storage Temp.: -40°C ~ + 85°	
Humidity	5 to 90% (non-condensing) 40°C	
OS Support	Ubuntu 18.04	
Certification	CE/FCC Class A	

### System & Mounting Dimensions



### I/O Mechanical Layout



### Ordering Information

Model Name	Carrier w/Jetson Module	Fansink	I/O Cable	PWR Adapter	US PWR Cord	EU PWR Cord	I2C Cable	I2C Cable (2Port I2C)	CAN BUS Cable	Front Panel Cable	Power Cable
AN810-XXN-BN01	8GB	-	v	-	-	-	v	v	v	v	v
AN810-XXN-BN02	8GB	v	v	v	v	-	v	v	v	v	v
AN810-XXN-BN03	8GB	v	v	v	-	v	v	v	v	v	v
AN810-XXN16-BN01	16GB	-	v	-	-	-	v	v	v	v	v
AN810-XXN16-BN02	16GB	v	v	v	v	-	v	v	v	v	v
AN810-XXN16-BN03	16GB	v	v	v	-	v	v	v	v	v	v

### Packing List

Part Number	Description
39-C14328-0001	Fan with Heatsink
31-080000-0009	I/O Cable 20P 2.0mm (GPIO / UART CABLE )
31-0Z0000-0004	CAN BUS Cable 1.25mm 2*5P to DB9 Male Type
31-080000-0007	I2C Cable 8P 2.54mm HOUSING
31-080000-0010	I2C Cable 8P 2.54mm HOUSING (2Port I2C)
31-080000-0006	Front Panel Cable
32-010000-0006	EU Power Cord (1800mm)
32-010000-0005	US Power Cord (1800mm)
31-030000-0008	JP Power Cord (1800mm)
31-030000-0005	Power Cable DC Jack 2.5mm to 2x3P 4.2mm Housing (100mm)
53-0F0000-0002	Power Adapter 100-240V 60W 12V 5A

