

Apacer

The Most **Reliable**
Storage For Industries

CS710-CF



CS710-CF

Overview

Apacer industrial CS710-CF card is compliant with the CF 6.1 standard compatible specifications. Apacer adopts the standard 50-pin connector and SLC chip with higher endurance for the card. It is available in capacities from 128MB to 64GB. The data transfer mode is up to PIO Mode 6, Multiword DMA Mode 4, Ultra DMA Mode 6, with the sequential read/write speed reaching as fast as 55/55 MB/sec. To help data stay correct, this CS710-CF memory card also supports 96-bit ECC function, wear-leveling function, S.M.A.R.T. (Self-Monitoring, Analysis, and Reporting Technology) and supply voltage power-down detection for full power-down robustness, thereby substantially enhancing product reliability.



*The actual available memory on the device is less than what is listed on the package. This is due to small discrepancies in file formats and algorithms used by various operating systems. In addition, a portion of memory space is reserved for system files and data sectors for better performance.

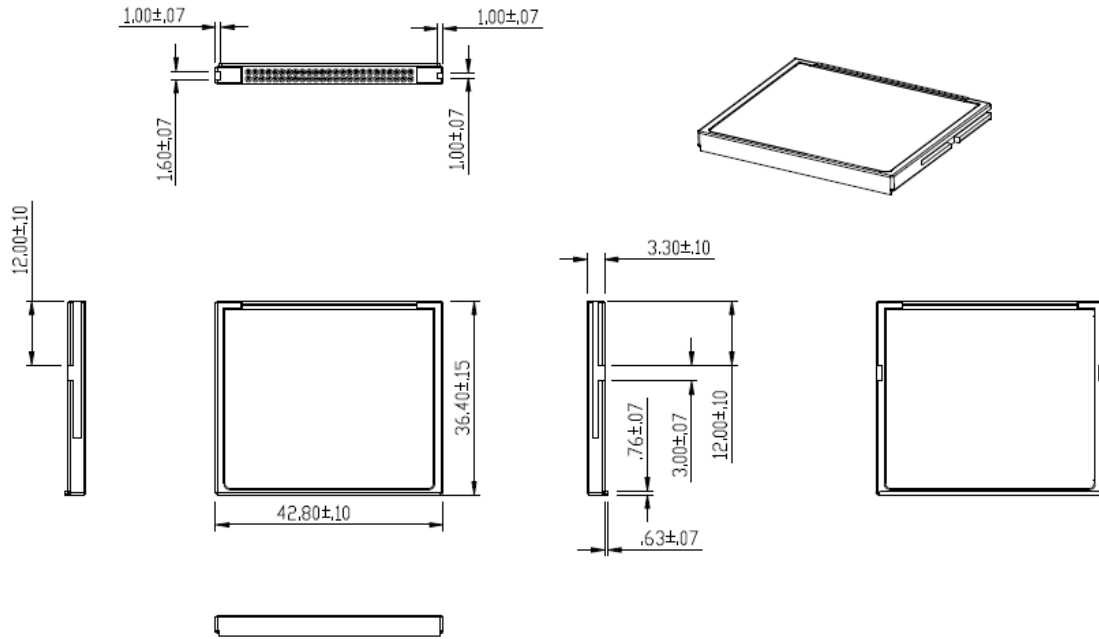
Feature

- Global Wear Leveling
- Built-in BCH ECC capable of correcting up to 96 bits in 1KB data
- Supports S.M.A.R.T commands
- Flash Block Management
- Power Failure Management

Specifications

Model	CS710-CF
Interface	PC Card Memory Mode; PC Card I/O Mode; True IDE Mode
Connector	50-pin
Form Factor	CompactFlash Type I
Transfer Mode	PIO Mode 6, Multiword DMA Mode 4, Ultra DMA Mode 6
NAND Flash Type	SLC
Capacity	128MB ~ 64GB
Sequential Read Performance (MB/sec)	Up to 55
Sequential Write Performance (MB/sec)	Up to 55
ECC Engine	Built-in BCH ECC capable of correcting up to 96 bits in 1KB data
Standard Operating Temperature (°C)	0 ~ + 70
Extended Operating Temperature (°C)	-40 ~ + 85
Storage Temperature (°C)	-40 ~ + 100
H/W Write Protect	No
Shock	Operation: 50G, 11ms Non-operation: 1500G, 0.5ms
Vibration	Operation: 7.69 Grms, 20~2000 Hz/random (compliant with MIL-STD-810G) Non-operation: 4.02 Grms, 15 ~ 2000 Hz/random
Operating Voltage	3.3 V / 5.0 V ± 5%
Power Consumption	Operating Voltage: 3.3V Active mode: 145 mA / Standby mode: 10mA Operating Voltage: 5.0V Active mode: 145 mA / Standby mode: 10mA
Dimension (L x W x H)	36.4mm x 42.8mm x 3.3mm
MTBF (hours)	>2,000,000

Mechanical Specification



Unit: mm

For more information,
contact your Apacer representative

Global Presence

Taiwan (Headquarters)
Apacer Technology Inc.
Tel: +886-2-2267-8000
Fax: +886-2-2267-2261

Europe
Apacer Technology B.V.
Tel: +31-40-267-0000
Fax: +31-40-290-0686

U.S.A.
Apacer Memory America, Inc.
Tel: +1-408-518-8699
Fax: 1-510-249-9551

Shanghai
Apacer Electronic (Shanghai)
Co., Ltd.
Tel: +86-21-6228-9939

Japan
Apacer Technology Corp.
Tel: +81-3-5419-2668
Fax: +81-3-5419-0018

India
Apacer Technologies Pvt. Ltd.
Tel: +91-80-41529061~3
Fax: +91-80-41700215