

Apacer

The Most **Reliable**
Storage For Industries

SM230-M242



SM230-M242

Overview

Apacer's SM230-M242 (M.2 2242) is the next generation modularized Solid State Drive (SSD) with the shape of all new M.2 form factor, with the aim of becoming more suitable for mobile and compact computers with standard width at only 22.00 mm. SM230-M242 appears in M.2 2242 mechanical dimensions and is believed to be the leading add-in storage solution for future host computing systems.

The M.2 SSD is designed with SATA-based connector pinouts, providing full compliance with the latest SATA Revision 3.1 interface specifications. Aside from SATA compliance, SM230-M242 delivers exceptional performance and power efficiency. On the other hand, the extreme thin and light form factor makes SM230-M242 the ideal choice for mobile computing systems, which appears to be the trend in the near future.

Regarding reliability, SM230-M242 is built with a powerful SATA controller that supports on-the-module ECC as well as efficient wear leveling scheme. Operating under SATA 6.0 Gbps interface, SM230-M242 is provided with Apacer latest S.M.A.R.T. that is primarily oriented for the latest SATA interface SSD, for drive lifetime monitoring and analyzing. Furthermore, with Advanced Encryption Standard (AES) and Trusted Computing Group (TCG) Opal support, SM230-M242 ensures data security and provides users with a peace of mind knowing their data is safeguarded against unauthorized use at all times.

Feature

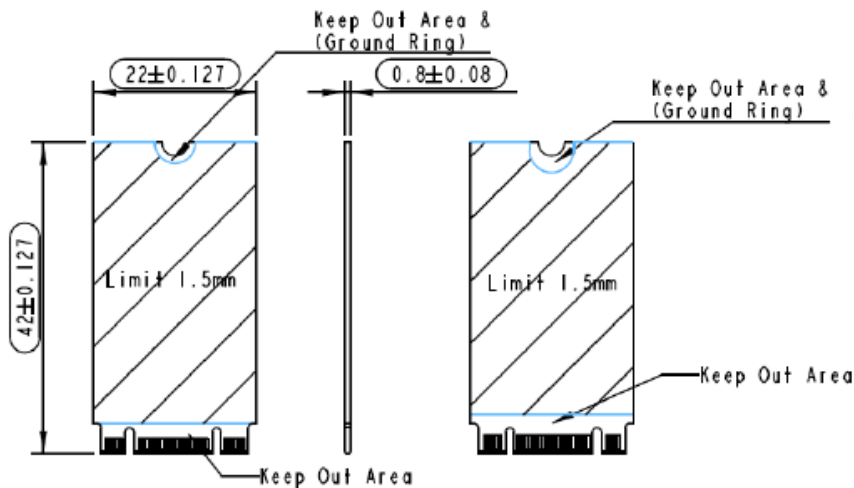
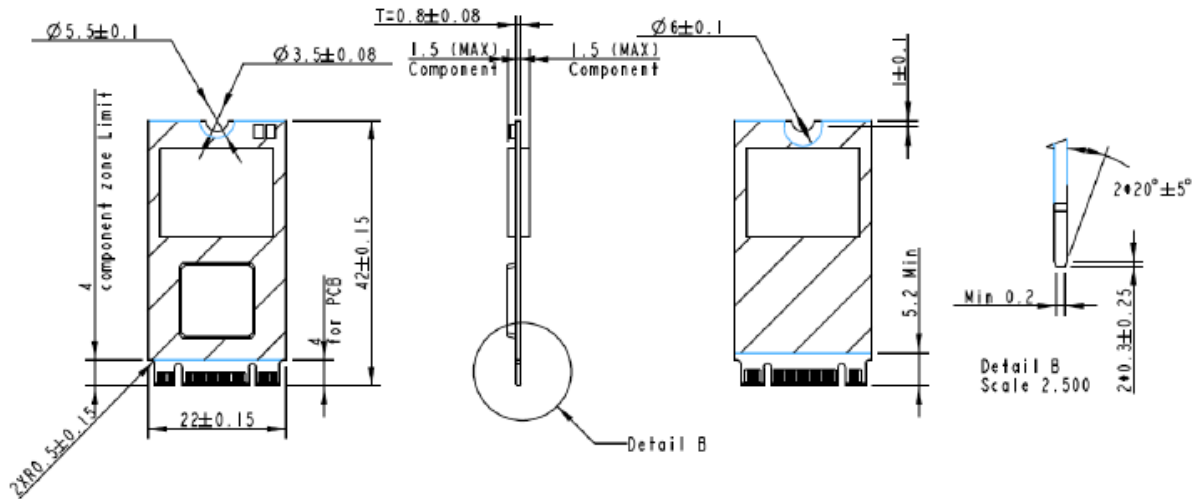
- SATA 3 (6Gb/s) interface
- M.2 (NGFF) connector
- Advanced 4K Page Mapping Technology
- Built-in ATA secure erase and S.M.A.R.T. functions
- Higher IOPS (with DRAM)
- Support TCG Opal 2.0/AES 256-bit encryption



Specifications

Model	SM230-M242
Interface	SATA 3.2 (6Gb/s)
Connector	M.2 B & M key
Form Factor	M.2 2242-D5-B-M
NAND Flash Type	MLC
Capacity	8GB~256GB
External DRAM	No
Sustained Read Performance (MB/sec)	Up to 525
Sustained Write Performance (MB/sec)	Up to 355
ECC Engine	Built-in up to 72-bit per 1K bytes BCH ECC
IOPS (4K Random Write)	40K
Standard Operating Temperature (°C)	0 ~ + 70
Extended Operating Temperature (°C)	-40 ~ + 85
Storage Temperature (°C)	-40 ~ + 100
Thermal Sensor	Yes
Shock	Operation: 50G, 11ms Non-operation: 1500G, 0.5ms
Vibration	Operation: 7.69 Grms, 20~2000 Hz/random (compliant with MIL-STD-810G) Non-operation: 15G, 10 ~ 2000 Hz/sine
Operating Voltage	3.3 V ± 5%
Power Consumption	Active mode: 695mA & Idle mode: 135 mA
Dimension (L x W x H)	42.00mm x 22.00mm x 3.80mm
MTBF (hours)	>1,000,000

Mechanical Specification



Unit: mm

**For more information,
contact your Apacer representative**

Global Presence

Taiwan (Headquarters)
Apacer Technology Inc.
Tel: +886-2-2267-8000
Fax: +886-2-2267-2261

Europe
Apacer Technology B.V.
Tel: +31-40-267-0000
Fax: +31-40-290-0686

U.S.A.
Apacer Memory America, Inc.
Tel: +1-408-518-8699
Fax: 1-510-249-9551

China
Apacer Electronic(Shanghai)
Co., Ltd.
Tel: +86-21-6228-9939

Japan
Apacer Technology Corp.
Tel: +81-3-5419-2668
Fax: +81-3-5419-0018

India
Apacer Technologies Pvt. Ltd.
Tel: +91-80-41529061~3
Fax: +91-80-41700215