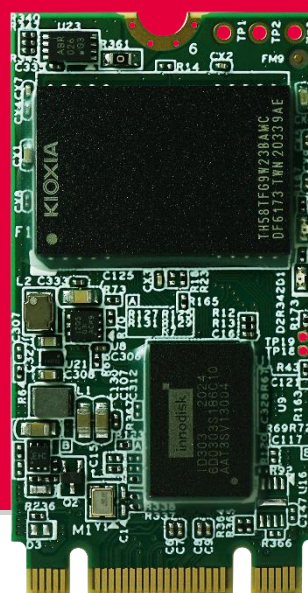


Datasheet

M.2 (P42) 3TE6 B+M Key series

- PCIe Gen. III x2, NVMe 1.3
- DRAM-less Solution
- Less Controller Heat
- Anti-Vibration mechanical design
- Hybrid Write Mode
- LDPC ECC engine supported.
- iPowerGuard Protection



Introduction

Innodisk M.2 (P42) 3TE6 is a NVMe Express DRAM-less SSD designed with PCIe interface and industrial 3D TLC NAND Flash. M.2 (P42) 3TE6 supports PCIe Gen III x2 and it is compliant with NVMe 1.3 providing excellent top and also outstanding sustained performance. With sophisticated error detection and correction (ECC) functions, the module can ensure full End-to-End data path protection that secures the data transmission between host system and NAND Flash. In addition, with a customized embedded AES-256 bit engine, your data can be further secured.

M.2 (P42)

3TE6 B+M Key series

Contact us for more information about the M2 (P42) 3TE6.

Innodisk is a service-driven provider of industrial embedded flash and DRAM storage products and technologies, with a focus on the cloud computing, industrial/embedded, and aerospace and defense industries.

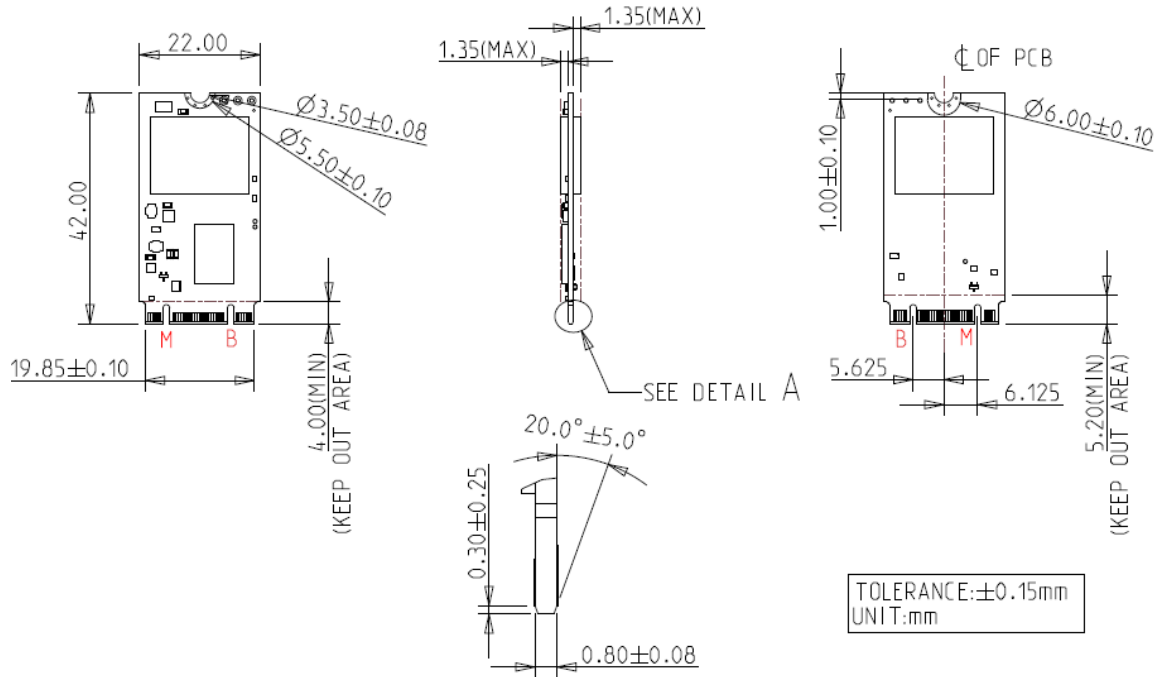
Headquarters (Taiwan)

5F., No. 237, Sec. 1, Datong Rd., Xizhi Dist., New Taipei City 221, Taiwan
Tel: +886-2-7703-3000
Email: sales@innodisk.com

Branch Offices:

USA
usasales@innodisk.com
+1-510-770-9421
Europe
eusales@innodisk.com
+31-40-3045-400
Japan
jpsales@innodisk.com
+81-3-6667-0161
China
sales_cn@innodisk.com
+86-755-21673689
www.innodisk.com

© 2023 Innodisk Corporation.
All right reserved. Specifications are subject to change without prior notice.



Interface	PCIe Gen. III x2
Flash Type	3D TLC
P/E cycle	3,000
Capacity	64GB~1TB
Max. Channels	4
Sequential R/W (MB/s, Max)	1,850/1,700
Max. Power Consumption (RMS)	3.6W
Thermal Sensor	√
External DRAM buffer	NA
H/W Write Protect	NA
iCell	NA
Dimension (WxLxH)	22.0 X 42.0 X 1.35 mm (Top side without Heat-Dissipating Copper Foil) 22.0 X 42.0 X 1.95 mm (Top side with Heat-Dissipating Copper Foil. Default setting for Industrial Grade PNs.)
Environment	Vibration: 20G @7~2000Hz Shock: 1500G @ 0.5ms Working Temperature: -40°C ~ +85°C MTBF: 3 million hours

Ordering Information

Operation Temp.	64GB	128GB	256GB	512GB	1TB*
Standard Grade (0°C ~ +70°C)	DEM24-64GDD1ECCDF	DEM24-A28DD1%CC&F	DEM24-B56DD1%CCQF	DEM24-C12DD1%CCQF	DEM24-01TDD1KCCQF
Industrial Grade (-40°C ~ +85°C)	DEM24-64GDD1EWCDF	DEM24-A28DD1%WC&F	DEM24-B56DD1%WCQF	DEM24-C12DD1%WCQF	DEM24-01TDD1KWCQF

%. E: 64 layers 3D TLC; K: 112 layers 3D TLC

&. D: 2 channels; Q: 4 channels

innodisk

www.innodisk.com