

## QBiX-Pro-APLC4200H-B1

Industrial system with Intel® Pentium® N4200 Processor / 1 x GPIO (8 bits)



### Features

- System Size: 178W x 125D x 52.7H(mm)
- Intel® Pentium® N4200 Processor
- Dual Channel DDR3L, 2 x SO-DIMMs
- HDMI, D-sub for Dual display
- 2 x GbE LAN Ports

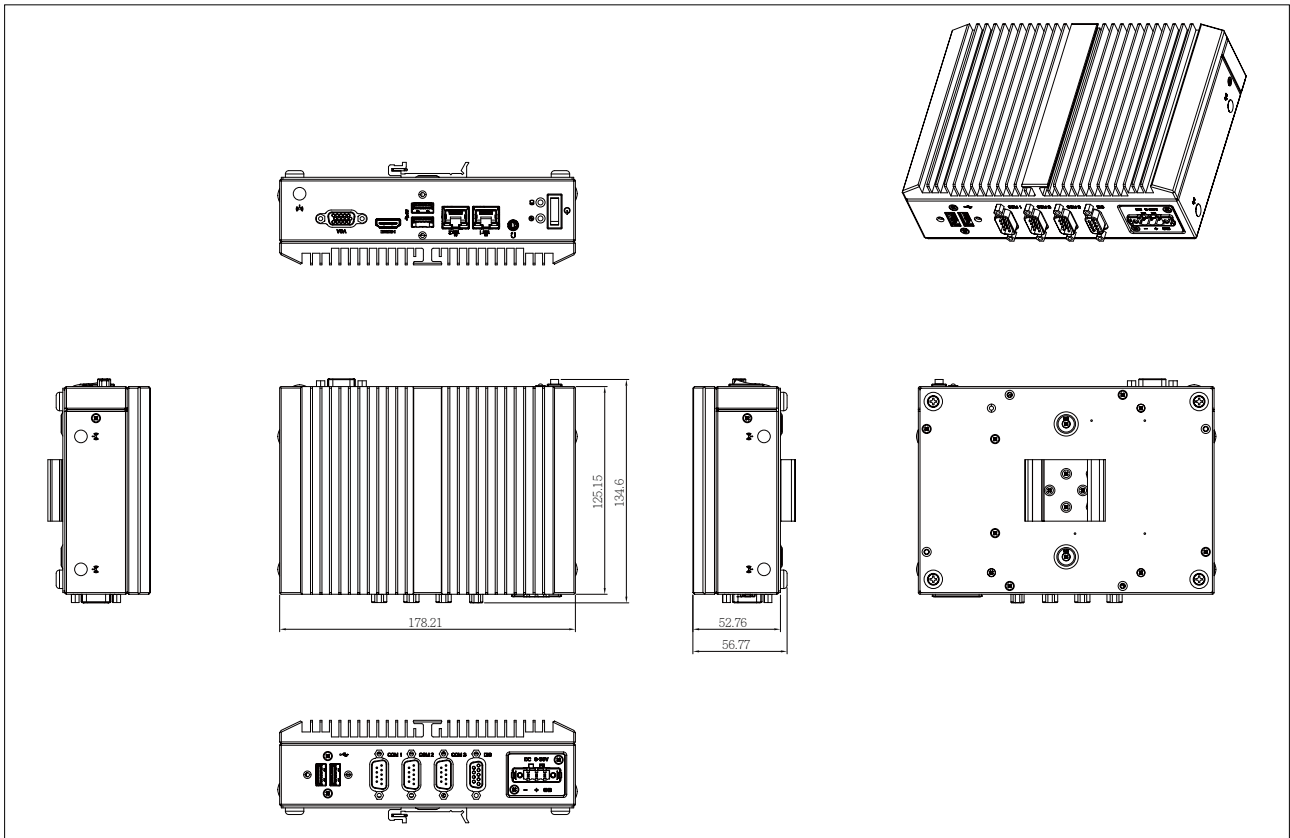
### Specifications

Dimension	System Size : 178W x 125D x 52.7H (mm)
CPU	Intel® Pentium® N4200 Processor 14nm, 4 cores, 4 threads, up to 2.5 GHz TDP 6W 2MB L2 cache
Chipset	SoC
Memory	2 x DDR3L SO-DIMM sockets, Max. Capacity 8 GB Support Dual Channel DDR3L 1866MHz memory modules
Ethernet	2 x GbE LAN Ports (Realtek® RTL8111H)
Graphic support	Integrated Graphics Processor - Intel® HD Graphics 505: 1 x HDMI 1.4 port, supporting a maximum resolution of 3840x2160 @30Hz 1 x VGA port, supporting a maximum resolution of 1920x1080 @60Hz (with compatible displays)  (2 independent display outputs)
Audio	Realtek® ALC897
Storage	1 x 2.5" HDD/SSD (SATA 6Gb/s)
Expansion Slots	1 x 2242 M.2 M-Key (SATA 6Gb/s) 1 x Full-size Mini PCIe with SIM slot (PCIe x1 + USB2.0) -- support 3G/4G module
Front I/O	2 x RJ45 LAN Ports 2 x USB 3.2 Gen 1 1 x HDMI 1 x VGA 1 x Power switch 1 x Power & HDD LED 1 x Headphone jack
Rear I/O	2 x USB 2.0 1 x COM Port (RS-232/422/485 & RI/5V/12V) 2 x COM Ports (RS-232) 1 x GPIO (8 bits) 1 x 3-pin Terminal Block
Side I/O	2 x External Antenna Holes (Optional)
TPM	—
Power	+9V~36VDC (Full Range)
Operation temperature	Operating temperature: 0°C to 50°C Operating humidity: 0-90% (non-condensing) Non-operating temperature: -20°C to 70°C Non-operating humidity: 0%-95% (non-condensing) Use wide temperature range memory and storage
Vibration During Operation	Operation: IEC 60068-2-64, 5 Grms, random, 5 ~ 500 Hz, 1 hr / Per Axis, With SSD/M.2 2242 Non-operation: IEC 60068-2-6, 2 G, Sine, 10 ~ 500 Hz, 1 Oct/min, 1 hr / Per Axis
Shock During Operation	Operation: IEC 60068-2-27, 50 G, half sine, 11 ms duration, With SSD

GIGAIPC reserves the right to modify or change technical data without prior notice.

## Dimension

Unit: mm



## Packing Content

- Carton size: 505 x 333 x 231 (mm)
- Packing Capacity: 5pcs
- Including:
  - Screw I Head For 2.5" HDD M3x8L x 4 (P/N: 25KSG-130081-K1R)
  - SATA Cable x 1 (P/N: 25CF4-170020-S9R)
  - Terminal Blocks Male Plug x 1 (P/N: 25I00-5ESDV0-D2R)

## Order Information

- System : 6BQP4200CMR-SI (Box packing)

## Optional Kit

- TPM 2.0 module P/N: 9CTM000NR-00
- TPM Cable P/N: 25CRZ-100600-S9R

2023/08/08

GIGAIPC reserves the right to modify or change technical data without prior notice.