

W12IE3S-GCB1

12.3" Intel® Celeron® N6211 GC-Series Front IP65 PCAP Panel PC



KEY FEATURES

- 12.3" 1920 x 720 panel with projected capacitive multitouch screen
- Low power consumption with Intel® Celeron® Elkhart Lake N6211 processor
- Fanless cooling system and ultra-low power consumption
- Front IP65 for protection against water and dust
- A true flat, easy-to-clean front surface with edge-to-edge design



SPECIFICATIONS

Display			
Resolution	1920x720	Size	12.3 inches
Contrast Ratio	1000:1	Panel Brightness	1000.0 nits
View Angles	88,88,88,88	Type	Projected Capacitive Multi Touch
System Specification			
WLAN	Support (Optional)	BT	Support (Optional)
Processor	Intel® Celeron® N6211 (up to 2.6GHz) Intel® Celeron® N6210 (up to 3.0GHz) (Optional)	Memory	1 x SO-DIMM, DDR4 3200 MHz, 4GB 8GB (Optional) 16GB (Optional)
Storage	1 x M.2 2242 B-key SSD 128GB M.2 2242 B-key SSD up to 512GB (Optional) 1 x SATA III for 2.5" SSD/HDD up to 1TB (Optional)	Ethernet controller	2 x Intel® Ethernet Controller
Security	TPM 2.0	Operating System	Windows 11 IoT Enterprise SAC (64 bit) (Optional) Windows 11 Pro 64 bit (Optional) Windows 10 IoT Enterprise (64 bit) (Optional) Linux Ubuntu 22.04 (Optional)
Environment			
Operating Humidity	10% to 90% RH, Non-Condensing	Operating Temperature	0°C to 50°C
Storage Temperature	-20°C to 60°C	Shock	MIL-STD-810G Method 516.6 Procedure I
Vibration	MIL-STD-810G Method 514.6 Procedure I	IP rating	Front IP65
Certification			
Certification	CE, FCC		
IO Ports			
USB Port	1 x USB2.0 1 x USB3.0	Serial Port	1 x RS232(Default)/422/485
Video	1 x HDMI (Optional)	Audio	1 x Speaker
LAN	2 x RJ45		
Mechanical			
Dimension	325.02 x 146.5 x 44.9 mm	Mounting	VESA Mount/ Panel Mount
Enclosure	Plastic Bezel & Aluminum back cover	Cooling System	Fanless Design

Accessory

Accessory	Quick Start Guide(Hardcopy) Driver CD & User Manual AC Adapter Power Cable
-----------	---

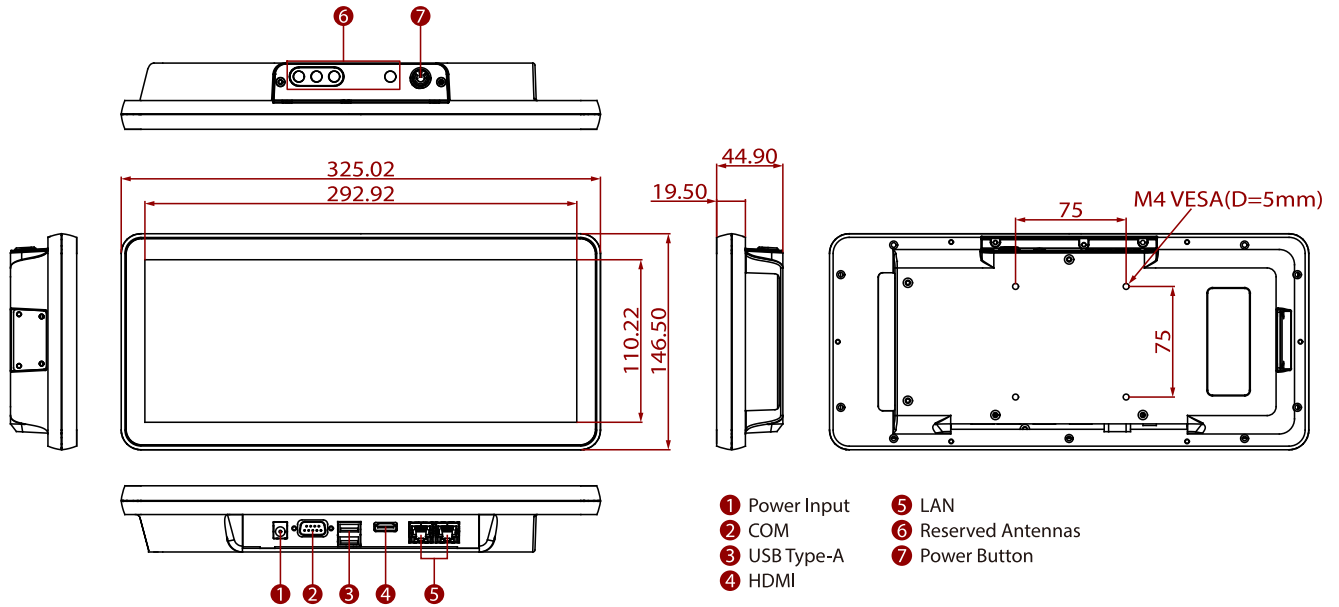
Power

Power Rating	12V DC
--------------	--------

Control

Button	1 x Power Button 1 x Reset Button
--------	--------------------------------------

DIMENSIONS UNIT:MM



NOTE

- 1.This is a simplified drawing and some components are not marked in detail.
- 2.Please contact our sales representative if you need further product information.
- 3.All specifications are subject to change without prior notice.
- 4.The product shown in this datasheet is a standard model.For diagrams that contain customized or optional I/ O, please contact the Winmate Sales Team for more information.