

Approval Sheet

Customer	
Product Number	M3U0-4GSSNLPC
Module speed	PC3-12800
Pin	240pin
CI-tRCD-tRP	11-11-11
SDRAM Operating Temp	0°C~85°C
Date	27th March 2017

**The Total Solution For
Industrial Flash Storage**

Rev 1.0

1. Features

Key Parameter

Industry Nomenclature	Speed Grade	Data Rate MT/s			tAA (ns)	tRCD (ns)	tRP (ns)
		CL=7	CL=9	CL=11			
PC3-12800	P	1066	1333	1600	13.125	13.125	13.125

- JEDEC Standard 240-pin Dual In-Line Memory Module
- Intend for PC3-12800 applications
- Inputs and Outputs are SSTL-15 compatible
- VDD=VDDQ= 1.35 Volt (1.28V~1.45V) or 1.5V (1.425V~1.575V)
- Bi-directional Differential Data Strobe
- DLL aligns DQ and DQS transition with CK transition
- SDRAMs have 8 internal banks for concurrent operation
- Normal and Dynamic On-Die Termination support.
- SDRAMs are 78-ball BGA Package
- 8 bit pre-fetch
- Two different termination values (Rtt_Nom & Rtt_WR)
- Auto & self refresh 7.8 μ s (Tc \leq +85°C)
- 16/10/1 Addressing (row/column/rank)-4GB
- SDRAM operating temperature range 0°C \leq Tc \leq +85°C
- Programmable Device Operation:
 - Burst Type: Sequential or Interleave
 - Device CAS# Latency: 6,7,8,9,10,11
 - Burst Length: switch on-the-fly: BL=8 or BC 4
- RoHS Compliant (*Section 13*)

2. Environmental Requirements

iDIMM are intended for use in standard office environments that have limited capacity for heating and air conditioning.

Symbol	Parameter	Rating	Units	Notes
TOPR	Operating Temperature (ambient)	0 to +55	°C	1
TSTG	Storage Temperature	-50 to +100	°C	
HOPR	Operating Humidity (relative)	10 to 90	%	
HSTG	Storage Humidity (without condensation)	5 to 95	%	
PBAR	Barometric Pressure (operating & storage)	105 to 69	K Pascal	1,2

1. The component maximum case temperature (Tcase) shall not exceed the value specified in the DDR DRAM component specification.
 2. Up to 9850 ft.

3. SDRAM Parameters by device density

RTT_Nom Setting	Parameter	4Gb	Units
tRFC	REF command ACT or REF command time	260	ns
tREFI	Average periodic refresh interval	$0^{\circ}\text{C} \leq \text{T}_{\text{CASE}} \leq 85^{\circ}\text{C}$	7.8 μs
		$85^{\circ}\text{C} \leq \text{T}_{\text{CASE}} \leq 95^{\circ}\text{C}$	3.9 μs

4. Ordering Information

DDR3L VLP UDIMM						
Part Number	Density	Speed	DIMM Organization	Number of DRAM	Number of rank	ECC
M3U0-4GSSNLPC	4GB	PC3-12800	512Mx64	8	1	N

5. Pin Configurations (Front side/Back side) X64 UDIMM

Front								Back							
Pin	Name	Pin	Name	Pin	Name	Pin	Name	Pin	Name	Pin	Name	Pin	Name	Pin	Name
1	VREFDQ	31	DQ25	61	A2	91	DQ41	121	VSS	151	VSS	181	A1	211	VSS
2	VSS	32	VSS	62	VDD	92	VSS	122	DQ4	152	DM3	182	VDD	212	DM5
3	DQ0	33	/DQ53	63	NC,CK1	93	/DQ55	123	DQ5	153	NC	183	VDD	213	NC
4	DQ1	34	DQ53	64	NC,/CK1	94	DQ55	124	VSS	154	VSS	184	CK0	214	VSS
5	VSS	35	VSS	65	VDD	95	VSS	125	DM0	155	DQ30	185	/CK0	215	DQ46
6	/DQ50	36	DQ26	66	VDD	96	DQ42	126	NC	156	DQ31	186	VDD	216	DQ47
7	DQ50	37	DQ27	67	VREFCA	97	DQ43	127	VSS	157	VSS	187	NC	217	VSS
8	VSS	38	VSS	68	NC	98	VSS	128	DQ6	158	NC	188	A0	218	DQ52
9	DQ2	39	NC	69	VDD	99	DQ48	129	DQ7	159	NC	189	VDD	219	DQ53
10	DQ3	40	NC	70	A10	100	DQ49	130	VSS	160	VSS	190	BA1	220	VSS
11	VSS	41	VSS	71	BA0	101	VSS	131	DQ12	161	NC	191	VDD	221	DM6
12	DQ8	42	NC	72	VDD	102	/DQ56	132	DQ13	162	NC	192	/RAS	222	NC
13	DQ9	43	NC	73	/WE	103	DQ56	133	VSS	163	VSS	193	/S0	223	VSS
14	VSS	44	VSS	74	/CAS	104	VSS	134	DM1	164	NC	194	VDD	224	DQ54
15	/DQ51	45	NC	75	VDD	105	DQ50	135	NC	165	NC	195	ODT0	225	DQ55
16	DQ51	46	NC	76	/S1, NC	106	DQ51	136	VSS	166	VSS	196	A13	226	VSS
17	VSS	47	VSS	77	ODT1, NC	107	VSS	137	DQ14	167	NC	197	VDD	227	DQ60
18	DQ10	48	NC	78	VDD	108	DQ56	138	DQ15	168	/RESET	198	NC	228	DQ61
19	DQ11	49	NC	79	NC	109	DQ57	139	VSS	169	CKE1, NC	199	VSS	229	VSS
20	VSS	50	CKE0	80	VSS	110	VSS	140	DQ20	170	VDD	200	DQ36	230	DM7
21	DQ16	51	VDD	81	DQ32	111	/DQ57	141	DQ21	171	A15	201	DQ37	231	NC
22	DQ17	52	BA2	82	DQ33	112	DQ57	142	VSS	172	A14	202	VSS	232	VSS
23	VSS	53	NC	83	VSS	113	VSS	143	DM2	173	VDD	203	DM4	233	DQ62
24	/DQ52	54	VDD	84	/DQ54	114	DQ58	144	NC	174	A12	204	NC	234	DQ63
25	DQ52	55	A11	85	DQ54	115	DQ59	145	VSS	175	A9	205	VSS	235	VSS
26	VSS	56	A7	86	VSS	116	VSS	146	DQ22	176	VDD	206	DQ38	236	VDDSPD
27	DQ18	57	VDD	87	DQ34	117	SA0	147	DQ23	177	A8	207	DQ39	237	SA1
28	DQ19	58	A5	88	DQ35	118	SCL	148	VSS	178	A6	208	VSS	238	SDA
29	VSS	59	A4	89	VSS	119	SA2	149	DQ28	179	VDD	209	DQ44	239	VSS
30	DQ24	60	VDD	90	DQ40	120	VTT	150	DQ29	180	A3	210	DQ45	240	VTT

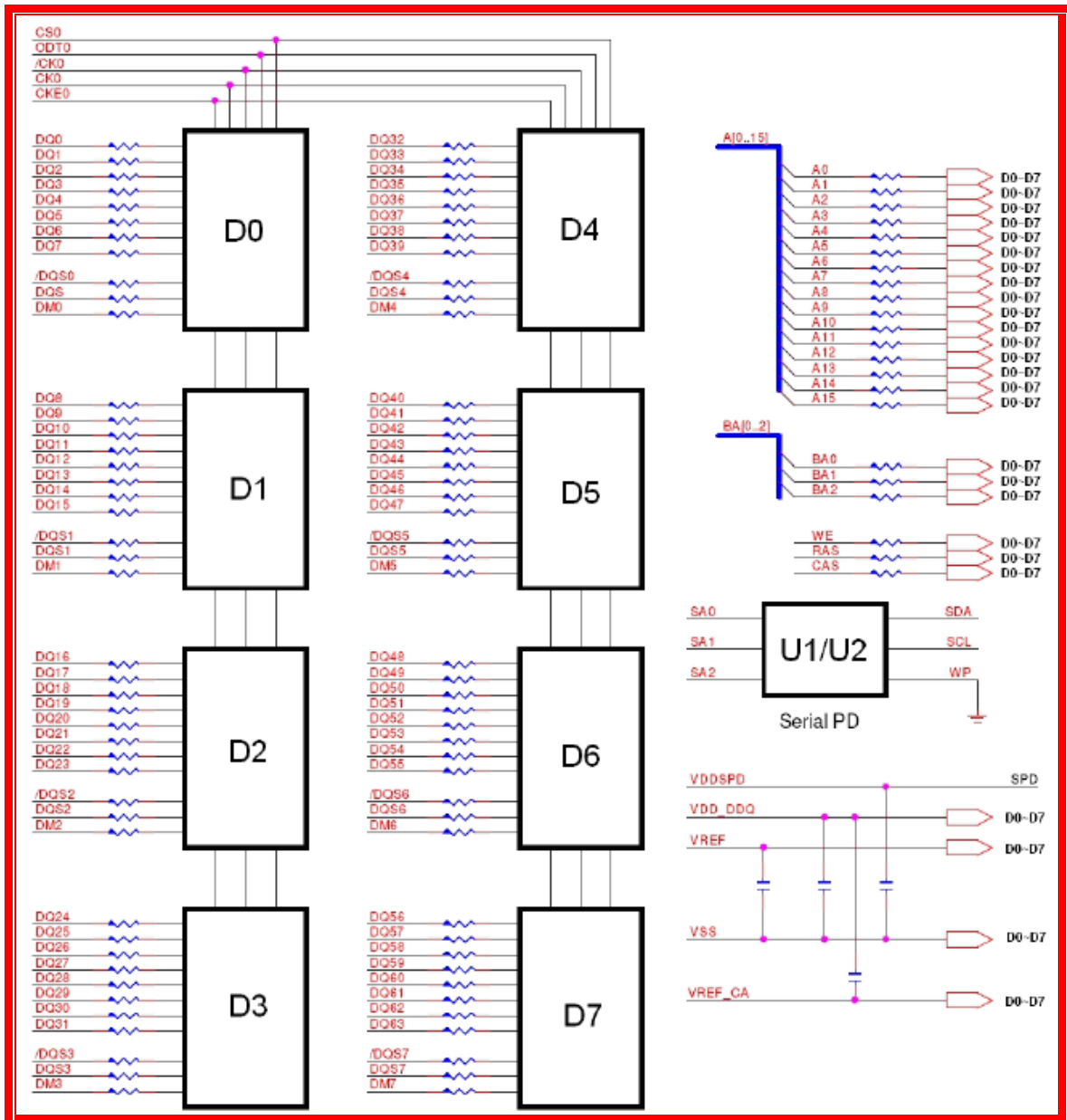
- Pin76, 77, 169: /S1, ODT1, CKE1: Used for dual-rank UDIMMs; NC on single-rank UDIMMs
- Pin63, 64: CK1, /CK1 Used for dual-rank UDIMMs; not used on single-rank DIMMs

6. Architecture

Pin Definition

Pin Name	Description	Pin Name	Description
A0 - A13 (A14 or A15)	SDRAM address bus	SCL	Serial Presence Detect Clock Input
BA0 - BA1 (or BA2)	SDRAM Bank Address Inputs	SDA	Serial Presence Detect Data input/output
/RAS	SDRAM row address strobe	SA0 – SA2	Serial Presence Detect Address Inputs
/CAS	SDRAM column address strobe	VDD	Power Supply
/WE	SDRAM write enable	VDDID	VDD Identification Flag
/S0 - /S1	DIMM Rank Select Lines	VDDQ	SDRAM I/O Driver power supply
CK0 – CKE1	SDRAM clock enable lines	VREFDQ	SDRAM I/O Reference supply
DQ0 – DQ63	DIMM memory data bus	VREFCA	SDRAM Command/address reference supply.
CB0 – CB7	DIMM ECC check bit (not for UDIMM)	VSS	Ground
DQS0 – DQS8 /DQS0-/DQS8	SDRAM data strobes	VDDSPD	Serial EEPROM positive power supply
DM0 – DM8	SDRAM data masks	NC	Spare Pin
ODT0-ODT1	Spare Pin	/Reset	Reset enable
CK0 – CK1 /CK0 - /CK1	Differential SDRAM Clocks	Event#	Reserved for optional temperature-sensing hardware
RSVD	Reserved for future use.	VTT	SDRAM I/O termination supply.

7. Function Block Diagram:
 - (4GB, 1 Rank 512Mx8 DDR3 SDRAMs)



8. SDRAM Absolute Maximum Ratings

Symbol	Parameter	Rating	Units	Note	
T _{OPER}	Operation Temperature	Normal Operating Temp.	0 to 85	°C	1,2
		Extended Temp.(optional)	85 to 95	°C	1,3
T _{STG}	Storage Temperature	-55 to 100	°C	4,5	
V _{IN} , V _{OUT}	Voltage on any pins relative to V _{ss}	-0.4 to +1.975	V	4	
V _{DD}	Voltage on VDD supply relative to V _{ss}	-0.4 to +1.975	V	4,6	
V _{DDQ}	Voltage on VDDQ supply relative to V _{ss}	-0.4 to +1.975	V	4,6	

Note:

1. Operating Temperature T_{OPER} is the case surface temperature on the center / top side of the DRAM.

For measurement conditions, please refer to the JEDEC document JESD51-2.

2. The Normal Temperature Range specifies the temperatures where all DRAM specifications will be supported. During operation, the DRAM case temperature must be maintained between 0 to 85 °C under all operating conditions.

3. Some applications require operation of the DRAM in the Extended Temperature Range between 85 °C and 95 °C case temperature. Full specifications are supported in this range, but the following additional conditions apply:

- a) Refresh commands must be doubled in frequency, therefore reducing the Refresh interval tREFI to 3.9 μs. It is also possible to specify a component with 1X refresh (tREFI to 7.8μs) in the Extended Temperature Range. Please refer to supplier data sheet and/or the DIMM SPD for option availability.
- b) If Self-Refresh operation is required in the Extended Temperature Range, then it is mandatory to either use the Manual Self-Refresh mode with Extended Temperature Range capability (MR2 A6 =0b and MR2 A7 = 1b) or enable the optional Auto Self-Refresh mode (MR2 A6 = 1b and MR2 A7 =0b). Please refer to the supplier data sheet and/or the DIMM SPD for Auto Self-Refresh option availability, Extended Temperature Range support and tREFI requirements in the Extended Temperature Range.

4. Stresses greater than those listed under “Absolute Maximum Ratings” may cause permanent damage to the device. This is stress rating only, and functional operation of the device at these or any other conditions above those indicated in the operational sections of this specification is not implied. Exposure to absolute maximum rating conditions for extended periods may affect reliability.

5. Storage Temperature is the case surface temperature on the center/top side of the DRAM. For the measurement conditions, please refer to JESD51-2 standard.

6. VDD and VDDQ must be within 300 mV of each other at all times;and VREF must be not greater than 0.6 x VDDQ, When VDD and VDDQ are less than 500 mV; VREF may be equal to or less than 300 mV

9. DRAM AC & DC Operating

Symbol	Parameter	Min	Typ.	Max	Units	Notes
Recommended DC Operating Conditions						
Recommended DC Operating Conditions - DDR3L (1.35V) operation						
VDD	Supply Voltage	1.283	1.35	1.45	V	1,2
VDDSPD	Supply Voltage	3	3.3	3.6	V	
VDDQ	Supply Voltage	1.283	1.35	1.45	V	1,2
Recommended DC Operating Conditions - DDR3 (1.5V) operation						
VDD	Supply Voltage	1.425	1.5	1.575	V	1,2
VDDSPD	Supply Voltage	3	3.3	3.6	V	
VDDQ	Supply Voltage	1.425	1.5	1.575	V	1,2
Single Ended AC/DC Input Levels						
V _{IH} (DC) DDR3L	DC Input High (Logic1) Voltage	VREF + 90	-	VDD	V	3
V _{IH} (DC) DDR3	DC Input High (Logic1) Voltage	VREF + 100		VDD	V	3
V _{IL} (DC) DDR3L	DC Input Low (Logic 0) Voltage	VSS	-	VREF - 90	V	3
V _{IL} (DC) DDR3	DC Input Low (Logic 0) Voltage	VSS		VREF - 100	V	3
V _{IH} (AC) DDR3L	AC Input High (Logic1) Voltage	VREF+ 135	-	-	V	3
V _{IH} (AC) DDR3	AC Input High (Logic1) Voltage	VREF+ 150			V	3
V _{IL} (AC) DDR3L	AC Input Low (Logic 0) Voltage	-	-	VREF - 135	V	3
V _{IL} (AC) DDR3	AC Input Low (Logic 0) Voltage			VREF - 150	V	3
VREFDQ (DC)	Reference Voltage for DQ, DM inputs	0.49VDDQ	0.5VDDQ	0.51VDDQ	V	4,5
VREFCA (DC)	Reference Voltage for ADD,CMD inputs	0.49VDDQ	0.5VDDQ	0.51VDDQ	V	4,5
Single Ended AC/DC Output Levels						
V _{OH} (DC)	DC output high measurement level (for IV curve linearity)	-	0.8 x VDDQ	-	V	
V _{OM} (DC)	DC output mid measurement level (for IV curve linearity)	-	0.5 x VDDQ	-	V	
V _{OL} (DC)	DC output low measurement level (for IV curve linearity)	-	0.2 x VDDQ	-	V	

VOH (AC)	AC output high measurement level (for output SR)	-	$V_{TT} + 0.1 \times V_{DDQ}$	-	V	6
VOL (AC)	AC output low measurement level (for output SR)		$V_{TT} - 0.1 \times V_{DDQ}$	-	V	6

Symbol	Parameter	Min	Typ.	Max	Units	Notes
Differential AC/DC Input Levels						
VIHdiff DDR3L	Differential Input high	+0.18	-	Note 9	V	7
VIHdiff DDR3	Differential Input high	+0.2		Note 9	V	7
VILdiff DDR3L	Differential Input logic Low	Note 9	-	-0.18	V	7
VILdiff DDR3	Differential Input logic Low	Note 9	-	-0.2	V	7
VIHdiff(ac) DDR3L	Differential Input high ac	$2^* (V_{IH} (AC) - V_{REF})$	-	Note 9	V	8
VIHdiff(ac) DDR3	Differential Input high ac	$2^* (V_{IH} (AC) - V_{REF})$	-	Note 9	V	8
VILdiff(ac) DDR3L	Differential Input logic Low ac	Note 9	-	$2^* (V_{REF} - V_{IL} (AC))$	V	8
VILdiff(ac) DDR3	Differential Input logic Low ac	Note 9	-	$2^* (V_{REF} - V_{IL} (AC))$	V	8
Differential AC and DC Output Levels						
VOHdiff(AC)	AC differential output high measurement level (for output SR)	-	$+ 0.2 \times V_{DDQ}$	-	V	10
VOLdiff(AC)	AC differential output low measurement level (for output SR)	-	$- 0.2 \times V_{DDQ}$	-	V	10

Note:

1. Under all conditions VDDQ must be less than or equal to VDD.
2. VDDQ tracks with VDD. AC parameters are measured with VDD and VDDQ tied together.
3. For DQ and DM, Vref = VrefDQ. For input only pins except RESET#, Vref = VrefCA.
4. Recommended DC Operating Conditions - DDR3 (1.5V) operation : The ac peak noise on VRef may not allow VRef to deviate from VRef(DC) by more than +/-1% VDD (for reference: approx. +/- 15 mV); Recommended DC Operating Conditions - DDR3L (1.35V) operation: The ac peak noise on VRef may not allow VRef to deviate from VRef(DC) by more than +/-1% VDD (for reference: approx. +/- 13.5 mV)
5. For reference: approx. VDD/2.
6. The swing of $\pm 0.1 \times VDDQ$ is based on approximately 50% of the static single-ended output high or low swing with a driver impedance of 40Ω and an effective test load of 25Ω to $V_{TT} = VDDQ/2$
7. Used to define a differential signal slew-rate.
8. For CK - CK# use VIH/VIL(ac) of ADD/CMD and VREFCA; for DQS - DQS#, DQSL, DQSL#, DQSU, DQSU# use VIH/VIL(ac) of DQs and VREFDQ; if a reduced ac-high or ac-low level is used for a signal group, then the reduced level applies also here.
9. These values are not defined, however the single-ended signals CK, CK#, DQS, DQS#, DQSL, DQSL#, DQSU, DQSU# need to be within the respective limits (VIH(dc) max, VIL(dc)min) for single-ended signals as well as the limitations for overshoot and undershoot.
10. The swing of $\pm 0.2 \times VDDQ$ is based on approximately 50% of the static single-ended output high or low swing with a driver impedance of 40Ω and an effective test load of 25Ω to $V_{TT} = VDDQ/2$ at each of the differential outputs.

10. Operating, Standby, and Refresh Currents

- 4GB UDIMM (1 Rank, 512Mx8 DDR3L SDRAMs $T_{CASE} = 0\text{ }^{\circ}\text{C} \sim 70\text{ }^{\circ}\text{C}$)

Symbol	Parameter/Condition		PC3-12800	Unit
I DD0	One bank; Active - Precharge		208	mA
I DD1	One bank; Active - Read - Precharge		288	mA
I DD2N	Precharge Standby Current		88	mA
I DD2P	Precharge Power Down Current	Fast Mode	64	mA
	Precharge Power Down Current	Slow Mode	64	mA
I DD2Q	Precharge Quiet Standby Current		80	mA
I DD3N	Active Standby Current		168	mA
I DD3P	Active Power-Down Current		80	mA
I DD4R	Operating Current Burst Read		512	mA
I DD4W	Operating Current Burst Write		504	mA
I DD5B	Burst Refresh Current		1520	mA
I DD6	Self-Refresh Current: Normal Temperature Range		96	mA
I DD7	Operating Bank Interleave Read Current		968	mA
I DD8	Reset Low Current		120	mA

11. Timing Parameters

(T_{CASE} = 0 °C ~ 70 °C; V_{DDQ} = V_{DD}, See AC Characteristics)

Symbol	Parameter	PC3-12800		Unit
		Min.	Max.	
Clock Timing				
tCK (DLL-Off)	Minimum Clock Cycle Time	8	-	ns
tCK (avg)	Average Clock Period	1.5	3.3	ns
tCH (avg)	Average high pulse width	0.47	0.53	tCK (avg)
tCL (avg)	Average low pulse width	0.47	0.53	tCK (avg)
tCK (abs)	Absolute Clock Period	tCK(avg) min + tJIT(per) min	tCK(avg) max + tJIT(per) max -	Ps
tCH (abs)	Absolute high pulse width	0.43	-	tCK (avg)
tCL (abs)	Absolute low pulse width	0.43	-	tCK (avg)
JIT (per)	Clock Period Jitter	-70	70	Ps
TJIT (per, lck)	Clock Period Jitter during DLL locking period.	-60	60	Ps
JIT (CC)	Cycle to Cycle Period Jitter	140		Ps
TJIT (CC, lck)	Cycle to Cycle Period Jitter during DLL locking period.	120		Ps
TJIT (duty)		-	-	Ps
TERR (2per)	Cumulative error across 2 cycle	-103	103	Ps
TERR (3per)	Cumulative error across 3 cycle	-122	122	Ps
TERR (4per)	Cumulative error across 4 cycle	-136	136	Ps
TERR (5per)	Cumulative error across 5 cycle	-147	147	Ps
TERR (6per)	Cumulative error across 6 cycle	-155	155	Ps
TERR (7per)	Cumulative error across 7 cycle	-163	163	Ps
TERR (8per)	Cumulative error across 3 cycle	-169	169	Ps
TERR (9per)	Cumulative error across 4 cycle	-175	175	Ps
TERR (10per)	Cumulative error across 5 cycle	-180	180	Ps

TERR (11per)	Cumulative error across 6 cycle	-184	184	Ps
TERR (12per)	Cumulative error across 7 cycle	-188	188	Ps
TERR (nper)	Cumulative error across 13~50 cycle	$tERR(nper)min = (1 + 0.68ln(n)) * tJIT(per)min$ $tERR(nper)max = (1 + 0.68ln(n)) * tJIT(per)max$		Ps
Data Timing				
Symbol	Parameter	Min.	Max.	Unit
tDSQ	DQS, DQS# to DQ skew, per group, per access	-	100	Ps
tQH	DQ output hold time from DQS, DQS#	0.38	-	tCK(avg)
tLZ (DQ)	DQ low-impedance time from CK, CK#	-450	225	Ps
tHZ(DQ)	DQ high impedance time from CK, CK#	-	225	Ps
tDS(base) AC150	Data setup time to DQS, DQS# referenced to Vih(ac) / Vil(ac) levels	10	-	Ps
tDH(base) DC 100	Data hold time from DQS, DQS# referenced to Vih(dc) / Vil(dc) levels	45	-	Ps
Data Strobe Timing				
Symbol	Parameter	Min.	Max.	Unit
tRPRE	DQS,DQS# differential READ Preamble	0.9		tCK(avg)
tRPST	DQS, DQS# differential READ Postamble	0.3		tCK(avg)
tQSH	DQS, DQS# differential output high time	0.4		tCK(avg)
tQSL	DQS, DQS# differential output low time	0.4		tCK(avg)
tWPRE	DQS, DQS# differential WRITE Preamble	0.9		tCK(avg)
tWPST	DQS, DQS# differential WRITE Postamble	0.3		tCK(avg)
tDQSK	DQS, DQS# rising edge output access time from rising CK, CK#	-225	225	Ps

tLZ(DQS)	DQS and DQS# low-impedance time (Referenced from RL - 1)	-450	225	Ps
tHZ(DQS)	DQS and DQS# high-impedance time (Referenced from RL + BL/2)	-	225	Ps
tDQSL	DQS, DQS# differential input low pulse width	0.45	0.55	tCK(avg)
tDQSH	DQS, DQS# differential input high pulse width	0.45	0.55	tCK(avg)
tDQSS	DQS, DQS# rising edge to CK, CK# rising edge	-0.27	0.27	tCK(avg)
tDSS	DQS, DQS# falling edge setup time to CK, CK# rising edge	0.18	-	tCK(avg)
tDSH	DQS, DQS# falling edge hold time from CK, CK# rising edge	0.18	-	tCK(avg)
Command and Address Timing				
Symbol	Parameter	Min.	Max.	Unit
tDLLK	DLL locking time	512	-	nCK
tRTP	Internal READ Command to PRECHARGE Command delay	max(4nCK, 7.5ns)	-	
tWTR	Delay from start of internal write transaction to Internal read command	max(4nCK, 7.5ns)	-	
tWR	WRITE recovery time	15	-	ns
tMRD	Mode Register Set command cycle time	4	-	nCK
tMOD	Mode Register Set command update delay	max(12nCK, 15ns)	-	
tRCD	Refer to Section 1 Feature			
tRP	Refer to Section 1 Feature			
tRC	Refer to Section 1 Feature			
tCCD		4	-	nCK

tDAL (min)	Auto precharge write recovery + precharge time	WR + roundup(t_{RP} / $t_{CK}(avg)$)		nCK
tMPRR	Multi-Purpose Register Recovery Time	1	-	nCK
tRAS	ACTIVE to PRECHARGE command period	35	9 tREFI	ns
tRRD	ACTIVE to ACTIVE command period for 1KB page size	max(4nCK, 6ns)	-	
tRRD	ACTIVE to ACTIVE command period for 2KB page size	max(4nCK, 7.5ns)	-	
tFAW	Four activate window for 1KB page size	30	-	ns
tFAW	Four activate window for 2KB page size	40	-	ns
tIS (base)	Command and Address setup time to CK, CK#, referenced to Vih(ac) / Vil(ac) levels.	45		ns
tIH(base)	Command and Address hold time from CK, CK# referenced to Vih(dc) / Vil(dc) levels	170		ps
tIS(base) AC150	Command and Address setup time to CK, CK# referenced to Vih(ac) / Vil(ac) levels	120		ps
Calibration Timing				
Symbol	Parameter	Min.	Max.	Unit
tZQinit	Power-up and RESET calibration time	Max. (512nCK, 640ns)	-	nCK
tZQoper	Normal operation Full calibration time	Max. (256nCK, 320ns)	-	nCK
tZQCS	Normal operation Short calibration time	Max. (64nCK, 80ns)	-	nCK

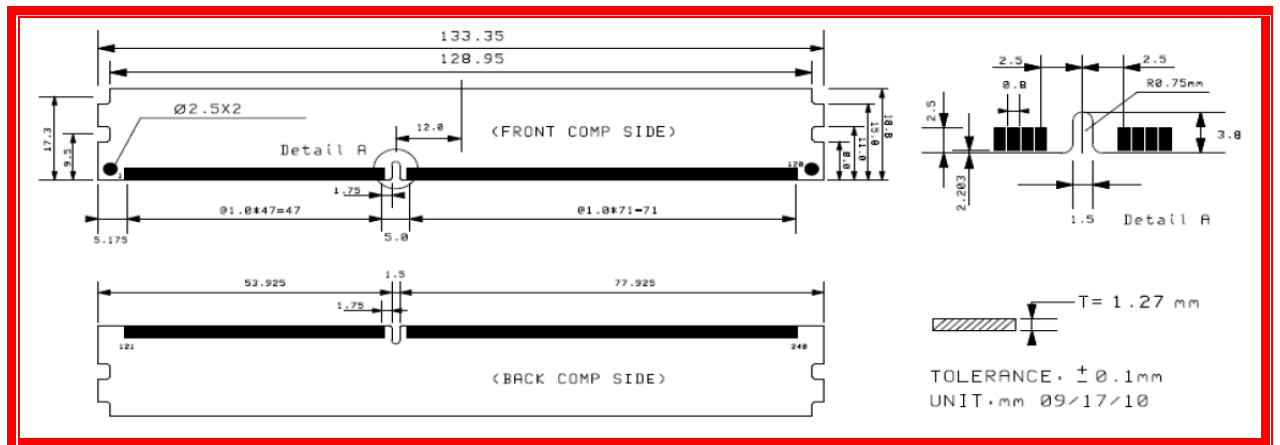
Reset Timing				
Symbol	Parameter	Min.	Max.	Unit
tXPR	Exit Reset from CKE HIGH to a valid command	max(5nCK, tRFC(min) + 10ns)	-	
Self Refresh Timings				
Symbol	Parameter	Min.	Max.	Unit
tXS	Exit Self Refresh to commands not requiring a locked DLL	Max(5nCK), tRFC(min) + 10ns)		
tXSDLL	Exit Self Refresh to commands requiring a locked DLL.	tDLL(min)	-	nCK
tCKESR	Minimum CKE low width for Self Refresh entry to exit timing.	tCKE9min) + 1nCK	-	
tCKSRE	Valid Clock Requirement after Self Refresh Entry (SRE) or Power-Down Entry (PDE)	Max(5nCK, 10ns)	-	
tCKSRX	Valid Clock Requirement before Self Refresh Exit (SRX) or Power-Down Exit (PDX) or Reset Exit	Max(5nCK, 10ns)	-	
Power Down Timings				
Symbol	Parameter	Min.	Max.	Unit
tXP	Exit Power Down with DLL on to any valid command; Exit Precharge Power Down with DLL frozen to commands not requiring a locked DLL	max(3nCK, 6ns)	-	
tXPDLL	Exit Precharge Power Down with DLL frozen to commands requiring a locked DLL	max(10nCK, 24ns)	-	

tCKE	CKE minimum pulse width	max(3nCK, 5ns)	-	
tCPDED	Command pass disable delay	1	-	nCK
tPD	Power Down Entry to Exit Timing	tCK(min)	9*tREFI	
tACTPDEN	Timing of ACT command to Power Down entry	1	-	nCK
tPRPDEN	Timing of PRE or PREA command to Power Down entry	1	-	nCK
tRDPDEN	Timing of RD/RDA command to Power Down entry	RL+4+1	-	nCK
tWRPDEN	Timing of WR command to Power Down entry (BL8OTF, BL8MRS, BC4OTF)	WL + 4 + (tWR / tCK(avg))	-	nCK
tWRAPDEN	Timing of WRA command to Power Down entry (BL8OTF, BL8MRS, BC4OTF)	WL + 4 + WR + 1	-	nCK
tWRPDEN	Timing of WR command to Power Down entry (BC4MRS)	WL + 2 + (tWR / tCK(avg))	-	nCK
tWRAPDEN	Timing of WRA command to Power Down entry (BC4MRS)	WL + 2 + WR + 1	-	nCK
tREFPDEN	Timing of REF command to Power Down entry	1	-	nCK
tMRSPDEN	Timing of MRS command to Power Down entry	tMOD(min)	-	nCK
ODT Timings				
Symbol	Parameter	Min.	Max.	Unit
ODTH4	ODT high time without write command or with write command and BC4	4	-	nCK
ODTH8	ODT high time with Write command and BL8	6	-	nCK

tAONPD	Asynchronous RTT turn-on delay (Power-Down with DLL frozen)	2	8.5	ns
tAOFPD	Asynchronous RTT turn-off delay (Power-Down with DLL frozen)	2	8.5	ns
tAON	RTT-turn-on	-225	225	ps
tAOF	RTT_Nom and RTT_WR turn-off time from ODTLoff reference	0.3	0.7	tCK(avg)
tADC	RTT dynamic change skew	0.3	0.7	tCK(avg)

12. PACKAGE DIMENSION

- (4GB, 1 Rank, 512Mx8 DDR3L base VLP UDIMM)



Note: Device position is only for reference

13. RoHS Declaration

innodisk	宜鼎國際股份有限公司 Innodisk Corporation	Page 1/1														
Tel:(02)7703-3000 Fax:(02) 7703-3555 Internet: http://www.innodisk.com/																
RoHS 自我宣告書 (RoHS Declaration of Conformity)																
Manufacturer Product: All Innodisk EM Flash and Dram products																
一、宜鼎國際股份有限公司 (以下稱本公司) 特此保證售予貴公司之所有產品, 皆符合歐盟 2011/65/EU 關於 RoHS 之規範要求。																
Innodisk Corporation declares that all products sold to the company, are complied with European Union RoHS Directive (2011/65/EU) requirement.																
二、本公司同意因本保證書或與本保證書相關事宜有所爭議時, 雙方宜友好協商, 達成協議。																
Innodisk Corporation agrees that both parties shall settle any dispute arising from or in connection with this Declaration of Conformity by friendly negotiations.																
<table border="1"> <thead> <tr> <th>Name of hazardous substance</th> <th>Limited of RoHS ppm (mg/kg)</th> </tr> </thead> <tbody> <tr> <td>鉛 (Pb)</td> <td>< 1000 ppm</td> </tr> <tr> <td>汞 (Hg)</td> <td>< 1000 ppm</td> </tr> <tr> <td>鎘 (Cd)</td> <td>< 100 ppm</td> </tr> <tr> <td>六價鉻 (Cr 6+)</td> <td>< 1000 ppm</td> </tr> <tr> <td>多溴聯苯 (PBBs)</td> <td>< 1000 ppm</td> </tr> <tr> <td>多溴二苯醚 (PBDEs)</td> <td>< 1000 ppm</td> </tr> </tbody> </table>	Name of hazardous substance	Limited of RoHS ppm (mg/kg)	鉛 (Pb)	< 1000 ppm	汞 (Hg)	< 1000 ppm	鎘 (Cd)	< 100 ppm	六價鉻 (Cr 6+)	< 1000 ppm	多溴聯苯 (PBBs)	< 1000 ppm	多溴二苯醚 (PBDEs)	< 1000 ppm		
Name of hazardous substance	Limited of RoHS ppm (mg/kg)															
鉛 (Pb)	< 1000 ppm															
汞 (Hg)	< 1000 ppm															
鎘 (Cd)	< 100 ppm															
六價鉻 (Cr 6+)	< 1000 ppm															
多溴聯苯 (PBBs)	< 1000 ppm															
多溴二苯醚 (PBDEs)	< 1000 ppm															
立 保 證 書 人 (Guarantor)																
Company name 公司名稱: <u>Innodisk Corporation 宜鼎國際股份有限公司</u>																
Company Representative 公司代表人: <u>Randy Chien 顏川騰</u>																
Company Representative Title 公司代表人職稱: <u>Chairman 董事長</u>																
Date 日期: <u>2016 / 08 / 04</u>																
																

Revision Log

Rev	Date	Modification
0.1	27 th March 2017	Preliminary Edition
1.0	27 th March 2017	Official released.