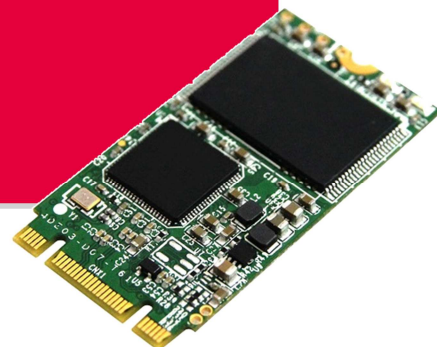


Datasheet

M.2 (S42) 3ME3 series

- SATA 6Gb/s interface
- iSMART disk health monitoring
- Intelligent error recovery system
- Excellent data transfer speed
- Zero mechanical interference
- Anti-vibration mechanical design



Introduction

Innodisk M.2 (S42) 3ME3 is designed as the standard M.2 form factor with SATA interface, and supports SATA III standard (6.0Gb/s) with excellent performance. The form factor refers to the M.2(NGFF) specification which established by JEDEC. Regarding of mechanical interference, Innodisk M.2 (S42) 3ME3 absolutely replaces the traditional hard disk and makes personal computer, in any field, smaller and easier.

Innodisk M.2 (S42) 3ME3 effectively reduces the booting time of operation system and the power consumption is less than hard disk drive (HDD), and complies with ATA protocol, no additional drives are required, and can be configured as a boot device or data storage device.

M.2 (S42) 3ME3 series

Diagram

Contact us for more information about the M2 (S42) 3ME3.

Innodisk is a service-driven provider of industrial embedded flash and DRAM storage products and technologies, with a focus on the cloud computing, industrial/embedded, and aerospace and defense industries.

Headquarters (Taiwan)

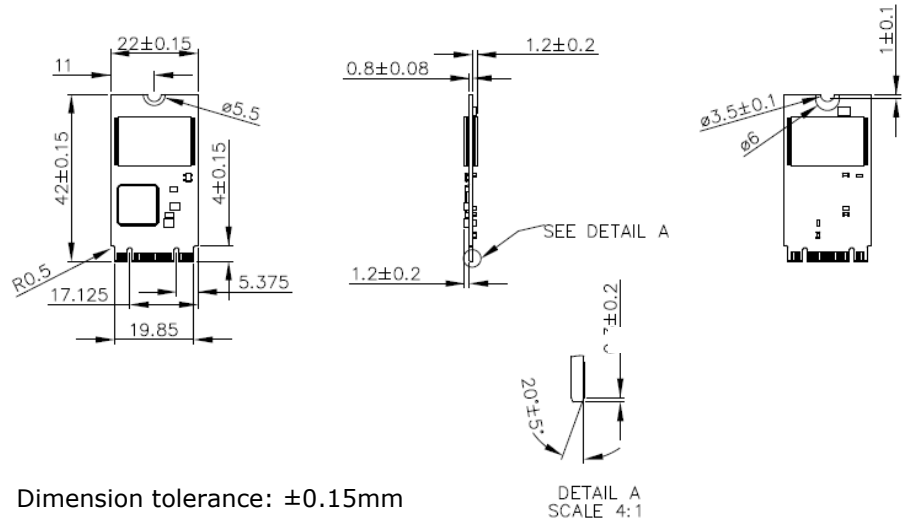
5F., No. 237, Sec. 1, Datong Rd., Xizhi Dist., New Taipei City 221, Taiwan
Tel: +886-2-7703-3000
Email: sales@innodisk.com

Branch Offices:

USA
usasales@innodisk.com
+1-510-770-9421
Europe
eusales@innodisk.com
+31-040-282-1818
Japan
jpsales@innodisk.com
+81-3-6667-0161
China
sales_cn@innodisk.com
+86-755-21673689
www.innodisk.com

© 2015 Innodisk Corporation.
All right reserved. Specifications are subject to change without prior notice.

20170111



Specifications

Interface	SATA III
Flash Type	MLC
P/E cycle	3,000
Capacity	8GB~128GB
Max. Channels	2
Sequential R/W (MB/sec, max.)	220/80
Max. Power Consumption	1.3W (3.3V x 370 mA)
Thermal Sensor	ST:N/WT:Y
External DRAM buffer	-
H/W Write Protect	-
ATA Security	√
S.M.A.R.T.	√
Dimension (WxLxH)	22.0 X 42.0 X 3.2 mm
Environment	Vibration: 20G @ 7~2000Hz Shock: 1500G @ 0.5ms Storage Temperature: -55°C ~ +95°C MTBF: 3 million hours

Ordering Information

Operation Temp.	8GB	16GB	32GB	64GB	128GB
Standard Grade (0°C ~ +70°C)	DEM24-08GD09BC1SC	DEM24-16GD09BC1SC	DEM24-32GD09BC1DC	DEM24-64GD09BC1DC	DEM24-A28D09BC1DC
Industrial Grade (-40°C ~ +85°C)	DEM24-08GD09BW1SC	DEM24-16GD09BW1SC	DEM24-32GD09BW1DC	DEM24-64GD09BW1DC	DEM24-A28D09BW1DC

(B: Toshiba 15nm MLC)

innodisk

www.innodisk.com