

W24IT3S-PTA2

23.8" Intel® Core™ i5-1135G7 PT Series HMI Touch Panel PC



KEY FEATURES

- Intel® Core™ i5-1135G7 2.4 GHz (turbo to 4.2GHz) Processor
- Fanless cooling system and ultra-low power consumption
- Front IP65 for protection against water and dust
- A true flat, easy-to-clean front surface with edge-to-edge design

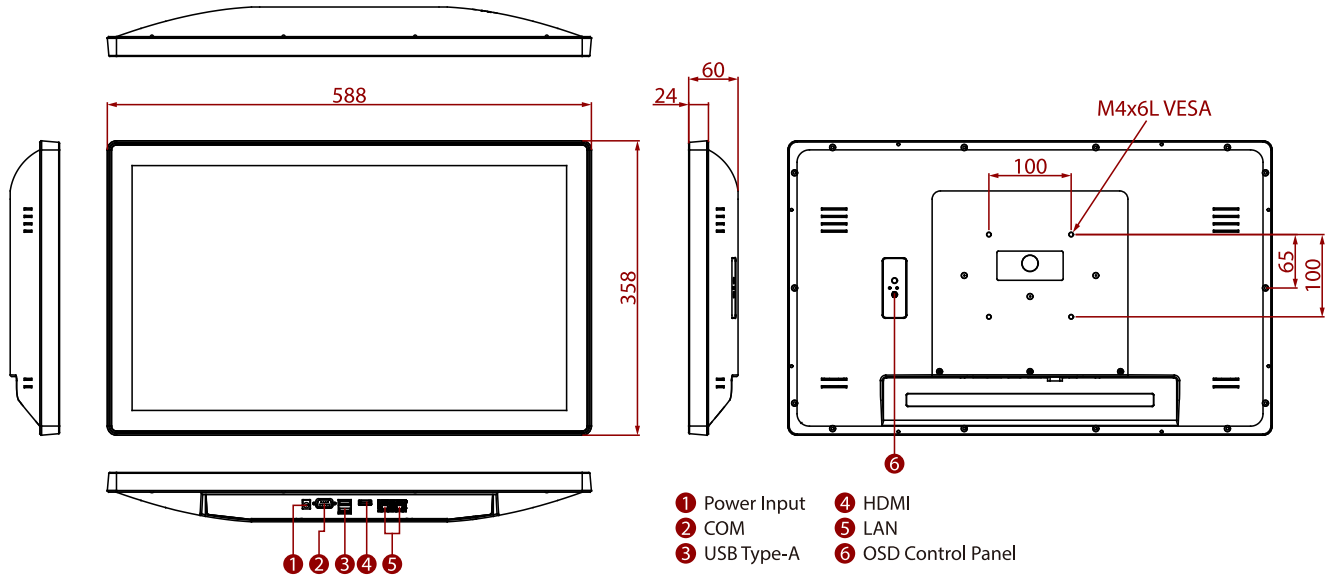


SPECIFICATIONS

Display	
Resolution	1920x1080
Contrast Ratio	3000:1
View Angles	89, 89, 89, 89
Touch / Glass	Projected Capacitive Multi Touch Screen
Size	23.8 inches
Panel Brightness	250.0 nits
Active Area	527.04x296.46 mm
System Specification	
WLAN	Support (Optional)
Processor	Intel Core i5-1135G7 2.4GHz (up to 4.2GHz)
Storage	1 x M.2 M-Key 2242 SATA SSD or 1 x M.2 M-Key 2280 NVMe SSD 128GB 256GB (Optional) 512GB (Optional) 1TB(for NVMe) (Optional) 2TB(for NVMe) (Optional) 4TB(for NVMe) (Optional) 1 x SATA III , up to 2TB (Optional)
Security	TPM 2.0
BT	Support (Optional)
Memory	1 x SO-DIMM, DDR4 3200 MHz, 4GB 8GB (Optional) 16GB (Optional) 32GB (Optional)
Ethernet controller	2 x Intel® Ethernet Controller
Operating System	Windows 11 IoT Enterprise SAC (64 bit) (Optional) Windows 11 Pro 64 bit (Optional) Windows 10 IoT Enterprise (64 bit) (Optional) Linux Ubuntu 22.04 (Optional)
Environment	
Operating Humidity	10% to 90% RH, Non-Condensing
Storage Temperature	-10°C to 60°C
Operating Temperature	0°C to 50°C
IP rating	Front IP65
Certification	
Certification	CE, FCC
Mechanical	
Dimension	588 x 358 x 60 mm
Enclosure	Plastic
Mounting	VESA Mount
Cooling System	Fanless Design
IO Ports	

USB Port	2 x USB 3.2	Serial Port	1 x RS232/422/485 (Default RS232)
Video	1 x HDMI (Optional)	LAN	2 x RJ45
Power			
Power Rating	12V DC		
Control			
Button	1 x Power Button 1 x Reset Button		

DIMENSIONS UNIT:MM



NOTE

- 1.This is a simplified drawing and some components are not marked in detail.
- 2.Please contact our sales representative if you need further product information.
- 3.All specifications are subject to change without prior notice.
- 4.The product shown in this datasheet is a standard model.For diagrams that contain customized or optional I/ O, please contact the Winmate Sales Team for more information.