



### Features



- Intel Celeron N2930 Processor
- Low Power Consumption Design
- Slim & Fanless Design
- Easily Achieve Flat Front Bezel Design
- Adjustable Front Bezel Design(2mm, 3mm and 6mm Front Bezel)
- 5-wire Resistive Touch Window/Projected Capacitive Touch Screen Support 7H Optional
- Front Bezel IP65
- Wide-ranging 9~36V DC Power Input
- System Power LED Light

### Specifications

System	
Processor	Onboard Intel Celeron N2930 1.83GHz Processor
System Chipset	SoC
System Memory	Onboard 4GB DDR3L 1600MHz

External I/O	
USB	2 x USB 3.0 type A
Serial/Parallel	1 x RS-232/422/485 DB-9, Default RS-232, COM1 1 x RS-232 DB-9, COM2
Audio	1 x Audio line out
LAN	2 x GbE LAN RJ-45
Power	1 x 3-pin DC Power input terminal 1 x 2-pin Connector for power on/off button
Others	1 x System power LED light
Option	2 x RS-232 DB-9 + 1 x Mini-PCIe slot via TB-528C2ME1 2 x CAN bus via TB-528CAN2 2 x USB 2.0 type A + 1 x Mini-PCIe slot + 1 x RS-232 DB-9 + 1 x Power Button via TB-528C1U2P1 2 x USB 2.0 type A via TB-528U2

Expansion	
Expansion slot	1 x Intel Mini-PCIe slot full size

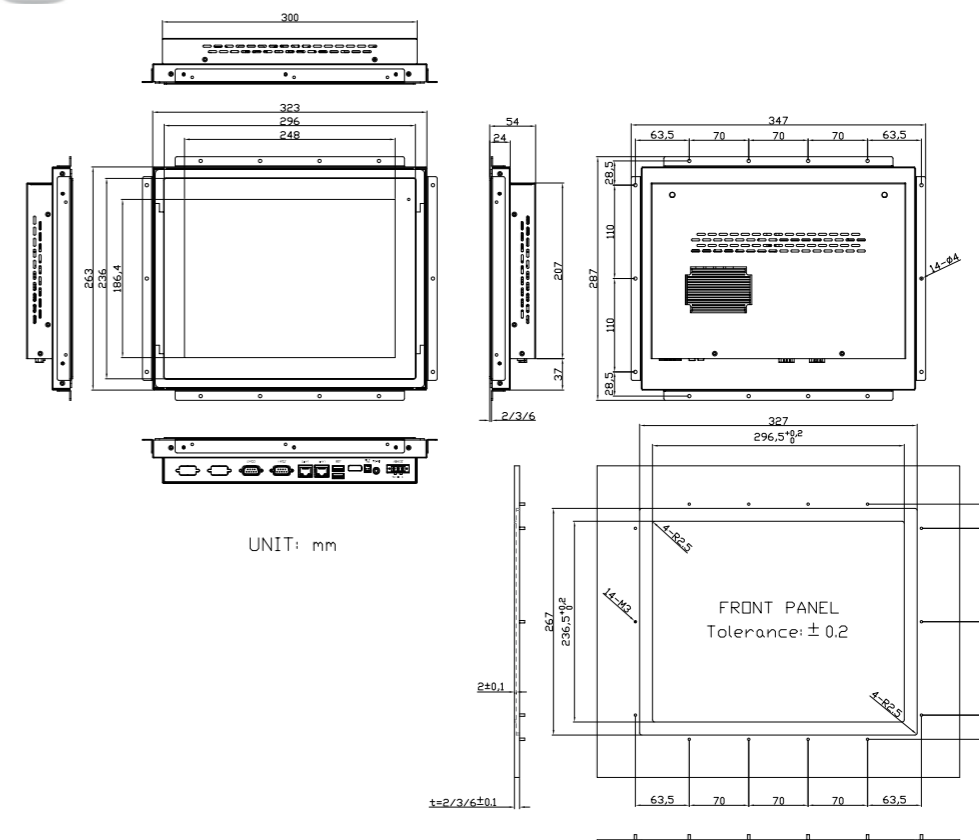
Storage Space	
Storage	1 x 2.5" SATA HDD bay for SATA HDD

LCD	
Display Type	12.1" TFT-LCD
Max. Resolution	800 x 600 / 1024 x 768 (optional)
Max. Color	262K / 16.2M
Luminance (cd/m <sup>2</sup> )	450 / 500 (optional)
View Angle	160(H) / 150(V) 160(H) / 140(V) (optional)
Contrast	800:1 / 700:1 (optional)
Backlight Lifetime	50,000 Hrs

Touch screen – Resistive Touch Window	
Interface	USB
Light transmission (%)	Over 80%

Touch screen – Projected Capacitive Type	
Interface	USB
Light transmission (%)	Over 90%

### Dimensions



Power	
Power input	9~36V DC
Power Consumption	MAX: 18.7W (OPC-5128) MAX: 19.5W (OPC-5128P)

Mechanical	
Front Bezel	Flat Bezel Design(2mm, 3mm, 6mm)/Steel/Stainless Steel /Aluminum With System Power LED Light
Rear Bezel	Steel
IP Rating	IP65 compliant front panel
Dimension	323 x 263 x 54 mm
Net Weight	3.7 Kg

Environmental	
Operating temperature(°C)	0~40°C without fan / 0~60°C with fan
Storage temperature(°C)	-20~60°C
Storage humidity	10 to 90% @ 40°C, non-condensing
Certification	CE/FCC class A

Operating System Support	
Windows Embedded Compact 7, Windows Embedded Standard 7, Windows 7 Pro(FES), Windows 7 Ultimate(FES), Windows Embedded 8.1 Industry Pro, Windows 10 IoT 2016LTSP	

Ordering information	
OPC-5128-01	12.1" SVGA fanless open frame PC with AtomN2930 1.83G CPU, 4GB DDR3 RAM, Resistive touch screen, 9~36VDC input with adapter, steel enclosure
OPC-5128P-01	12.1" SVGA fanless open frame PC with AtomN2930 1.83G CPU, 4GB DDR3 RAM, Projected capacitive touch, 9~36VDC input with adapter, steel enclosure