

IBD188 EXAR XR17V358 Mini PCI-E Serial Ports Adaptor Card

IBD188 User Guide 1.0

Connectors Pin Definition

CN2: COM1 Serial Ports

CN1: COM2 Serial Ports

CN3, CN4: COM3/4 Serial Ports

CN5, CN6: COM5/6 Serial Ports

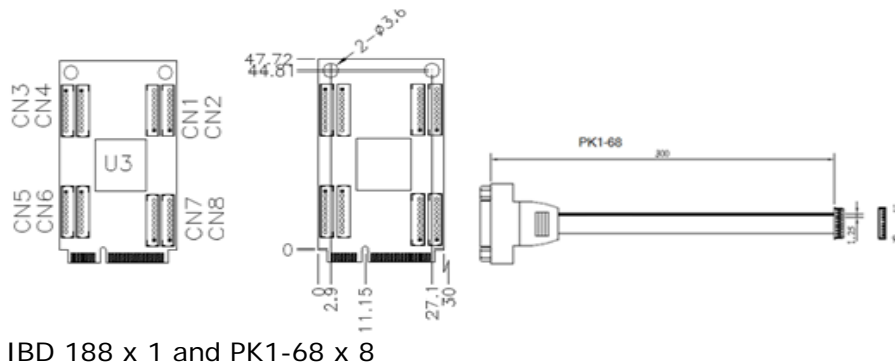
CN8: COM7 Serial Ports

CN7: COM8 Serial Ports

Matching connector: Molex P/N 51021-0900

Pin #	Signal Name
1	DCD, Data carrier detect
2	RXD, Receive data
3	CTS, Clear to send
4	GND, ground
5	TXD, Transmit data
6	RTS, Request to send
7	DSR, Data set ready
8	DTR, Data terminal ready
9	RI, Ring indicator

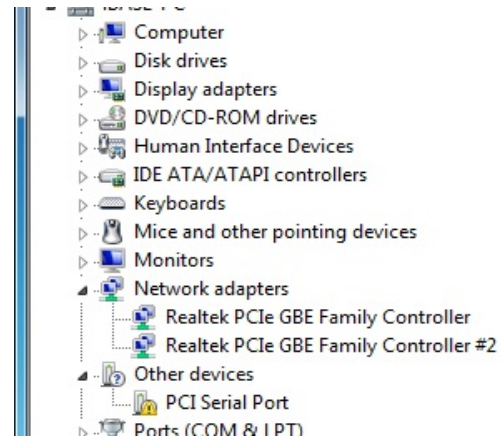
IBD188 and Pk1-68 Mechanical Drawing



IBD 188 x 1 and PK1-68 x 8

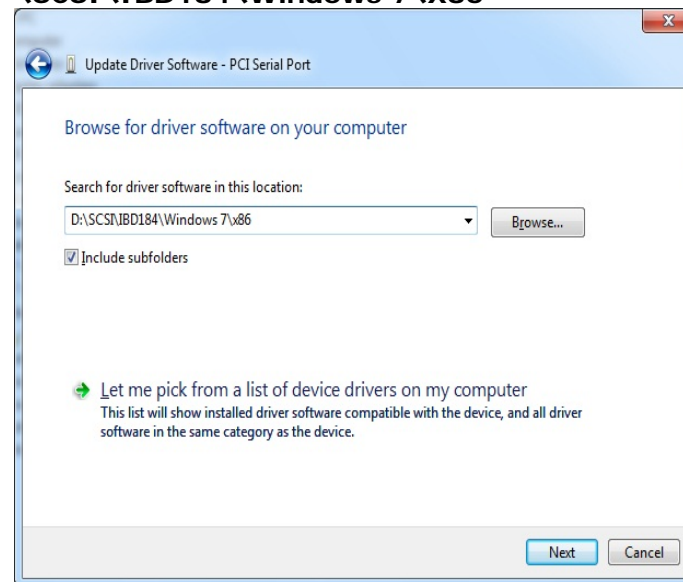
Mini PCI-E Serial Ports Driver Installation

1. In the Windows OS, go to the Computer Management screen. In the 'Other devices' as shown below, right click the "PCI Serial Port" and select "Update Software Driver."



2. In the Update Driver Software-PCISerial Port screen, select "**Browse my computer for driver software**".

3. Choose "**installation**" options. Click **Browse** to find the driver's path in the CD provided or enter the path directly - **\\SCSI\IBD184\Windows 7\X86**



4. Click **Install this driver software Anyway**.

5. Finally the screen will show "**Windows has successfully updated your driver software**". Click **Close**.

6. There are eight serial ports. Therefore, the Hardware Update Wizard procedure will be repeated for the other serial ports.