

### Features

- 12.1" Food Industrial Panel PC
- 6th Gen. Intel Core i3/i5 Processors
- DDR4 SO-DIMM Socket
- Flat and Stainless Steel Front Panel Design
- Fanless Design
- Wide Range DC 9~36V Power Input

### Specifications

System	
CPU	Onboard 6th Gen Intel Core i3-6100U Processor (3M Cache, 2.30 GHz) / Intel Core i5-6300U Processor (3M Cache, 2.30 GHz)
System Chipset	SoC
Memory	1 x DDR4 SO-DIMM Socket
TPM	TPM 2.0

IO Port	
USB	2 x USB 3.0 type A
Serial / Parallel	1 x RS-232/422/485 DB-9, default RS-232 (COM1) 1 x RS-232 DB-9 (COM2)
LAN	2 x GbE LAN RJ-45
Audio	1 x Line Out
Power	1 x 3-pin Terminal Block Connector 1 x 2-pin Power Switch Connector

Option	
	VESA Stand
	4G LTE/WiFi/ BT
	4 x USB 2.0 type A (TB-528U4)
	4 x USB 2.0 type A + 1 x Mini-PCle + 1 x SIM slot (TB-528U4ME1)
	2 x COM (RS-232) (TB-528C2)
	1 x COM (RS-232) + 2 x USB 2.0 (TB-528C1U2)
	1 x COM (RS-232) + 2 x USB 2.0 + 1 x Power Button (TB-528C1U2P1)
	2 x COM (RS-232) + 1 x Mini-PCle slot + 1 x SIM slot (TB-528C2ME1)
	2 x COM (RS-422/485, isolated) (TB-528C2I)
	2 x CAN (TB-528CAN2)
	1 x LAN + 2 x USB 2.0 type A (TB-528E1U2)
	1 x LAN(45W isolated PoE PD) + 2 x USB 2.0 type A (TB528E1U2UPOE)*
	Backup Battery 21Wh/10.8V/1.95Ah(3S1P)
	System is only allowed to build in either I/O board TB-528 series or backup battery

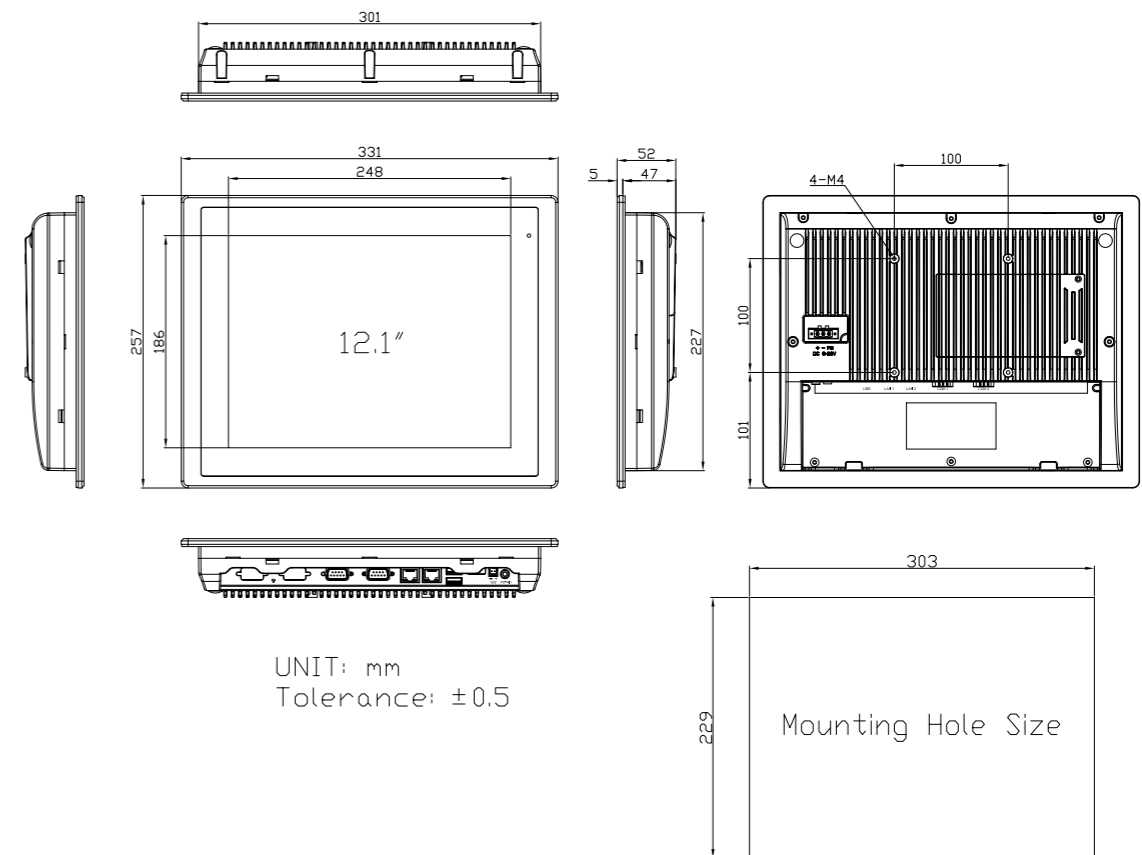
Storage Space	
HDD/SSD	1 x 2.5" SATA HDD space (Easily Accessible)

Expansion	
Expansion Slot	1 x Mini-PCle (full size)

Display	Standard		High Brightness Optional	
	12.1" TFT-LCD		12.1" TFT-LCD	
Display Type	default	optional	default	optional
Max. Resolution	800 x 600	1024 x 768	800 x 600	1024 x 768
Max. Color	16.7M	16.2M	16.7M	16.2M
Luminance (cd/m <sup>2</sup> )	450	500	1000	1000
View Angle	176(H)/176(V)	178(H)/178(V)	176(H)/176(V)	178(H)/178(V)
Contrast	1000:1	1000:1	1000:1	1000:1
Backlight Lifetime	50,000 hrs	30,000 hrs	50,000 hrs	70,000 hrs

Touch Screen	
Type	Resistive Touch (for AR Model) Projected Capacitive Touch (for AP Model)
Interface	USB
Light Transmission(%)	Resistive Touch: 80% / Projected Capacitive Touch: 90%

### Dimensions



Power	
Power Input	DC 9~36V
Power Consumption	FABS-912AP: 48W (MAX)

Mechanical	
Construction	304 Stainless Steel Front Bezel (default) 316L Stainless Steel Front Bezel (for option) Aluminum Die-casting Back Cover
Mounting	Panel Mount, VESA Mount 100 x 100
IP Rating	IP66/IP69K Compliant Front Bezel
Dimensions	331 x 257 x 52 mm
Net Weight	3.4 kg

Environmental	
Operating Temperature	0~50°C / -20~60°C (option)
Storage Temperature	-30~70°C
Humidity	10 to 90% @ 40°C, non-condensing
Certificate	CE/FCC Class A EN 1672-2 Compliant for P Model (optional)

Operating System Support	
Windows 10 IoT	

Ordering Information	
FABS-912AR/P (Barebone)	12.1" SVGA fanless HMI barebone with Intel 6th Core i3-6100U CPU, DDR4 SO-DIMM Socket, Resistive / Projected Capacitive touch, 9~36V DC input with adapter, Stainless front bezel and Aluminum chassis

\*PoE limitation: CPU turbo off, rear I/O no loading, 70% LED backlight, PSE cable length < 50m