

Features

- 7" Food Industrial Panel PC
- Intel Celeron N2930 Processor
- Onboard 4GB DDR3L 1333MHz
- Flat and Stainless Steel Front Panel Design
- Fanless Design
- Wide Range DC 9~36V Power Input

Specifications

System	
CPU	Onboard Intel Celeron N2930 Processor (2M Cache, 1.83GHz)
System Chipset	SoC
Memory	Onboard 4GB DDR3L SDRAM

IO Port	
USB	2 x USB 3.0 type A
Serial / Parallel	1 x RS-232/422/485 DB-9, default RS-232 (COM1) 1 x RS-232 DB-9 (COM2)
LAN	2 x GbE LAN RJ-45
Audio	1 x Line Out
Power	1 x 3-pin Terminal Block Connector 1 x 2-pin Power Switch Connector
Option	VESA Stand 4G LTE/Wi-Fi/BT

Storage Space	
HDD	1 x MO-297 SSD space
Movable Device	1 x Internal Micro SD slot onboard

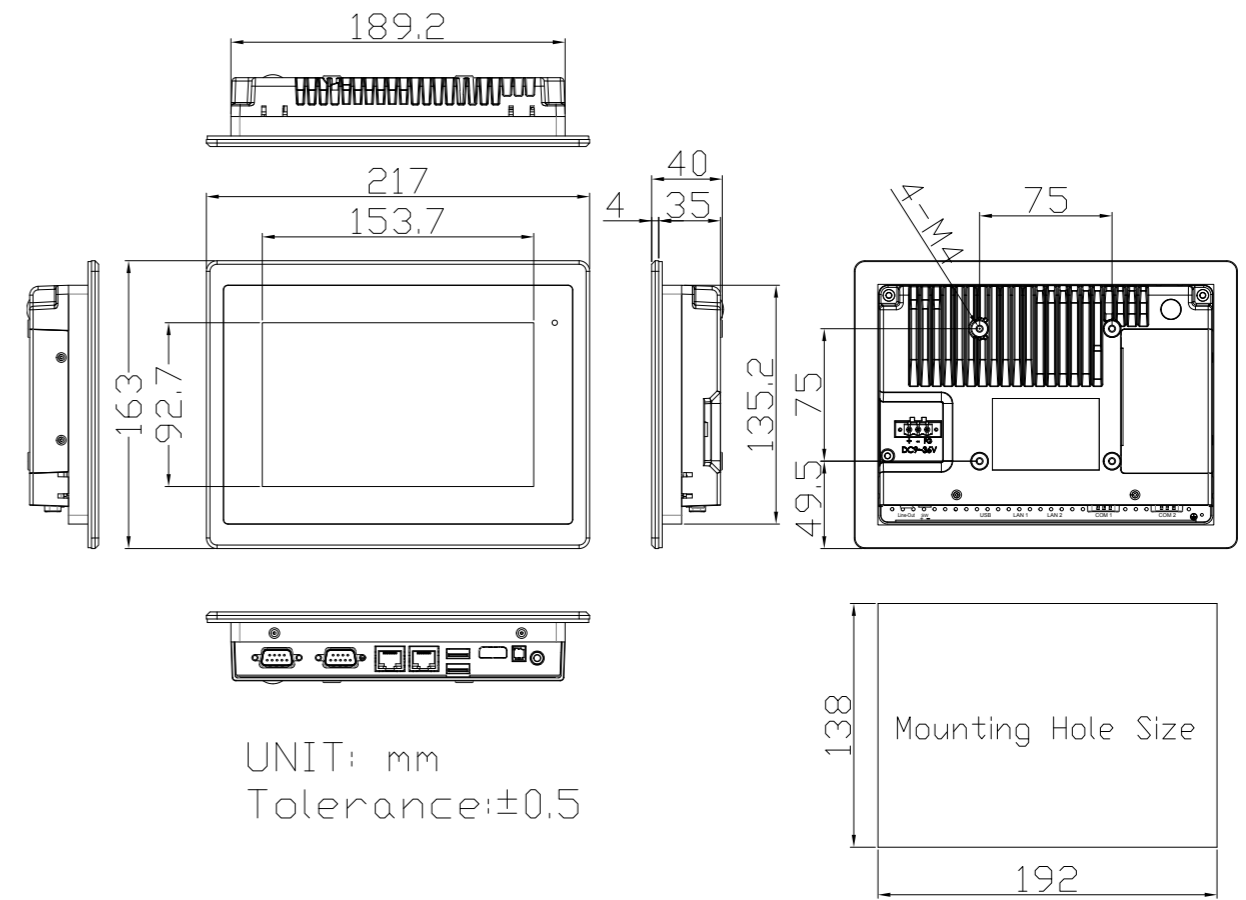
Expansion	
On board expansion bus	1 x Mini-PCIe (full size) 1 x Micro SIM slot

Display	Standard	High Brightness Optional
Display Type	7" TFT-LCD	7" TFT-LCD
Max. Resolution	800 x 480	800 x 480
Max. Color	262K	262K
Luminance (cd/m ²)	350	1000
View Angle	160(H) / 160(V)	160(H) / 160(V)
Contrast	1000:1	1000:1
Backlight Lifetime	40,000 hrs	40,000 hrs

Touch Screen	
Type	Projected Capacitive Touch (for AP model) Resistive Touch (for AR model)
Interface	USB
Light Transmission(%)	Resistive Touch: 80% Projected Capacitive: 90%

Power	
Power Input	DC 9~36V
Power Consumption	FABS-807P: 30W (MAX)

Dimensions



Mechanical	
Construction	304 Stainless Steel Front Bezel (default) 316L Stainless Steel Front Bezel (for option) Aluminum Die-casting Back Cover
Mounting	Panel Mount, VESA Mount 75 x 75
IP Rating	IP66/IP69K Compliant Front Bezel
Dimensions	217 x 163 x 40 mm
Net Weight	1.6 kg

Environmental	
Operating Temperature	0~50°C / -20~60°C (option)
Storage Temperature	-30~70°C
Humidity	10 to 90% @ 40°C, non-condensing
Certificate	CE/FCC Class A EN 1672-2 for P Model

Operating System Support	
Windows 10 IoT	

Ordering Information	
FABS-807P/R (Barebone)	7" WVGA fanless HMI barebone with Celeron N2930(1.83.GHz) CPU, 4GB DDR3L RAM, Projected Capacitive/Resistive Touch, 9~36V DC input with adapter, Stainless front bezel and Aluminum chassis

