

Features

- 21.5" New Generation Stainless Steel Panel PC
- Freescale i.MX6 DualLite 1.0GHz Onboard Processor
- True Flat Front Bezel Design and Grade 304 Stainless Steel Enclosure (Grade 316 for Option)
- IP66/IP69K Rated with M12 Connectors
- Support Resistive Touch, Projected Capacitive Touch, and Glass
- Touch on/off Button on the Side Edge for Hygienic Cleaning
- Support Ergonomic Versatile Mounting: Yoke Mounting / Space-saving VESA 100 x 100 mm Mounting

Specifications

System	
CPU	Freescale i.MX6 Dual Lite,ARM Cortex A9(2x Cores,1.0GHz)
System Chipset	SoC
Memory	Onboard 1GB DDR3 SDRAM
IO Port	
USB	1 x M12 8-pin for 2 x USB 2.0 with waterproof cover and chain
Serial / Parallel	1 x M12 8-pin COM1, RS-232/422/485, default RS-232, with waterproof cover and chain
LAN	1 x M12 8-pin for LAN with waterproof cover and chain
Others	1 x Touch on/off button at the side
Power Connector	1 x M12 3-pin for DC power with waterproof cover and chain 1 x Power switch on the rear
Option	1 x RS-232/422/485 1 x 8 bit GPIO 1 x CAN 1 x PoE

Storage Space	
eMMC	Onboard 4GB eMMC NAND Flash

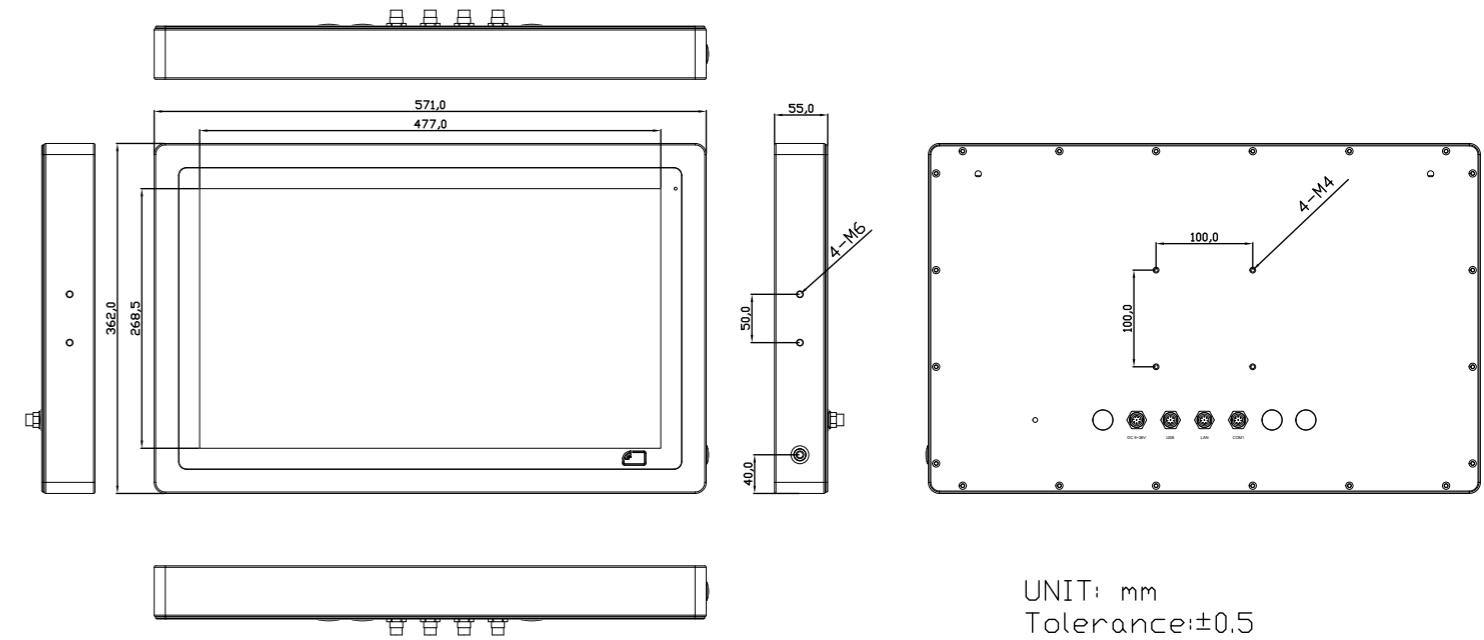
Expansion	
Expansion slot	1 x Full-size mini-PCIe socket (PCIe + USB) for WIFI/BT/LTE(optional)
RFID module	RFID module design on the front side(optional)

Display	Standard	High Brightness Optional
Display Type	21.5" TFT-LCD	21.5" TFT-LCD
Max. Resolution	1920 x 1080	1920 x 1080
Max. Color	16.7M	16.7M
Luminance (cd/m ²)	250	1000
View Angle	178(H) / 178(V)	178(H) / 178(V)
Contrast	3000:1	3000:1
Backlight Lifetime	30,000 hrs	30,000 hrs

Touch Screen	
Type	Resistive Touch (For R model) Projected Capacitive Touch (For P model) Glass (For G model)
Interface	SPI(Resistive Touch) / USB(Projected Capacitive Touch)
Light Transmission(%)	Resistive Touch : 80% / Projected Capacitive : 90%

Power	
Power Input	DC 12~36V
Power Consumption	ViTAM-621P:22W

Dimensions



UNIT: mm
Tolerance:±0.5

Mechanical	
Construction	304 Stainless steel chassis(default), 316 Stainless steel chassis(optional)
Mounting	VESA mount 100 x 100, Yoke mount (optional)
IP Rating	Total IP66/IP69K
Dimensions	571 x 362 x 55 mm
Net Weight	9.8 kg

Environmental	
Operating Temperature	0~50°C
Storage Temperature	-30~70°C
Humidity	10 to 95% @ 40°C, non- condensing
Certificate	CE/FCC Class A

Operating System Support	
Android 6.0.1 / Linux kernel 4.9.88:Yocto + Chromium Browser V67	

Ordering Information	
ViTAM-621P	21.5" XGA IP66/IP69K stainless steel panel pc, Freescale i.MX6 Dual Lite ARM Cortex A9,1GB DDR3 RAM,4GB eMMc, projected capacitive touch, 12~36V DC power input with Adapter
ViTAM-621R	21.5" XGA IP66/IP69K stainless steel panel pc, Freescale i.MX6 Dual Lite ARM Cortex A9,1GB DDR3 RAM,4GB eMMc, 5 wire resistive touch window, 12~36V DC power input with Adapter
ViTAM-621G	21.5" XGA IP66/IP69K stainless steel panel pc, Freescale i.MX6 Dual Lite ARM Cortex A9,1GB DDR3 RAM,4GB eMMc, protection glass, 12~36V DC power input with Adapter
ViTAM-621PH	21.5" XGA IP66/IP69K stainless steel panel pc, Freescale i.MX6 Dual Lite ARM Cortex A9,1GB DDR3 RAM,4GB eMMc, projected capacitive touch, 12~36V DC power input with Adapter, 1,000 nits LCD
ViTAM-621RH	21.5" XGA IP66/IP69K stainless steel panel pc, Freescale i.MX6 Dual Lite ARM Cortex A9,1GB DDR3 RAM,4GB eMMc, 5 wire resistive touch window, 12~36V DC power input with Adapter, 1,000 nits LCD
ViTAM-621GH	21.5" XGA IP66/IP69K stainless steel panel pc, Freescale i.MX6 Dual Lite ARM Cortex A9,1GB DDR3 RAM,4GB eMMc, protection glass, 12~36V DC power input with Adapter, 1,000 nits LCD