

# 2.5" SATA SSD

## 3TG6-P Series

**Customer:** \_\_\_\_\_

**Customer**

**Part**

**Number:** \_\_\_\_\_

**Innodisk**

**Part**

**Number:** \_\_\_\_\_

**Innodisk**

**Model Name:** \_\_\_\_\_

**Date:** \_\_\_\_\_

<b>Innodisk Approver</b>	<b>Customer Approver</b>

**Total Solution For  
Industrial Flash Storage**

**Features:**

- SATA III
- Kioxia 3D TLC NAND
- 2.5" SATA SSD
- Standard & Wide-temperature
- iPower Guard
- iData Guard
- Dynamic Thermal Management

**Power Requirements:**

Input Voltage:	5V±5%
Max Operating Wattage:	6.3W
Idle Wattage:	3.7W

**Performance:**

- Sequential Read up to 560 MB/s
- Sequential Write up to 520 MB/s

**Reliability:**

Capacity	TBW	DWPD
128GB	289	2.1
256GB	578	2.1
512GB	1154	2.1
1TB	2308	2.1
2TB	4615	2.1
4TB	9231	2.1

Data Retention	10 Years
Warranty	3 Years

For warranty details, please refer to:

[https://www.innodisk.com/en/support\\_and\\_service/warranty](https://www.innodisk.com/en/support_and_service/warranty)

# Table of contents

- LIST OF FIGURES .....8**
- 1. PRODUCT OVERVIEW .....9**
  - 1.1 INTRODUCTION OF INNODISK 2.5" SATA SSD 3TG6-P ..... 9**
  - 1.2 PRODUCT VIEW AND MODELS ..... 9**
  - 1.3 SATA INTERFACE..... 10**
  - 1.4 2.5-INCH FORM FACTOR ..... 10**
- 2. PRODUCT SPECIFICATIONS ..... 11**
  - 2.1 CAPACITY AND DEVICE PARAMETERS..... 11**
  - 2.2 PERFORMANCE ..... 11**
  - 2.3 ELECTRICAL SPECIFICATIONS ..... 13**
    - 2.3.1 Power Requirement ..... 13*
    - 2.3.2 Power Consumption ..... 13*
  - 2.4 ENVIRONMENTAL SPECIFICATIONS ..... 14**
    - 2.4.1 Temperature Ranges ..... 14*
    - 2.4.2 Humidity ..... 14*
    - 2.4.3 Shock and Vibration ..... 14*
    - 2.4.4 Mean Time between Failures (MTBF) ..... 14*
  - 2.5 CE AND FCC COMPATIBILITY ..... 14**
  - 2.6 RoHS COMPLIANCE ..... 14**
  - 2.7 RELIABILITY ..... 15**
  - 2.8 TRANSFER MODE ..... 15**
  - 2.9 PIN ASSIGNMENT ..... 16**
  - 2.10 MECHANICAL DIMENSIONS..... 17**
  - 2.11 ASSEMBLY WEIGHT ..... 19**
  - 2.12 SEEK TIME ..... 19**
  - 2.13 HOT PLUG..... 19**
  - 2.14 NAND FLASH MEMORY..... 19**
- 3. THEORY OF OPERATION .....20**
  - 3.1 OVERVIEW..... 20**
  - 3.2 SATA CONTROLLER ..... 20**
  - 3.3 ERROR DETECTION AND CORRECTION..... 20**
  - 3.4 WEAR-LEVELING ..... 21**
  - 3.5 BAD BLOCKS MANAGEMENT ..... 21**
  - 3.6 iDATA GUARD..... 21**
  - 3.7 GARBAGE COLLECTION/TRIM ..... 21**
  - 3.8 iCELL TECHNOLOGY (OPTIONAL) ..... 22**

- 3.9 iPOWER GUARD..... 22**
- 3.10 DIE RAID ..... 22**
- 3.11 QUICK ERASE (OPTIONAL)..... 22**
  - 3.11.1 Quick Erase Command..... 23*
- 3.12 WRITE PROTECT (OPTIONAL)..... 24**
  - 3.12.1 Write Protect Command..... 24*
  - 3.12.2 Disable Write Protect Command..... 25*
- 4. INSTALLATION REQUIREMENTS ..... 27**
  - 4.1 2.5" SATA SSD 3TG6-P PIN DIRECTIONS..... 27**
  - 4.2 ELECTRICAL CONNECTIONS FOR 2.5" SATA SSD 3TG6-P ..... 27**
  - 4.3 FORM FACTOR..... 27**
  - 4.4 DEVICE DRIVE ..... 28**
- 5. SMART FEATURE SET ..... 29**
  - 5.1 SMART ATTRIBUTES..... 30**
- 6. PART NUMBER RULE ..... 31**

# REVISION HISTORY

Revision	Description	Date
Preliminary	First Released	July, 2018
Preliminary 0.1	Add performance and housing drawing for 4TB	Aug., 2018
Rev 1.0	Add TBW information	Sep., 2018
Rev 1.1	Modify Performance Table for 2TB and 4TB	Dec., 2018
Rev 1.2	Add Quick Erase Operation	Dec., 2018
Rev 1.3	Modify Mechanical Dimensions Modify LBA for 4TB Delete DEVSLP & Slumber Mode on Power Consumption Table	Jan., 2019
Rev 1.4	Modify Performance Table Update Power Consumption Table Modify SMART Attributes Table	Jan., 2019
Rev 1.5	Update Power Consumption Table Modify Performance Table	Mar., 2019
Rev 1.6	Add TRIM note Modify Power Consumption Table Update RoHS report	Apr., 2019
Rev 1.7	Add Die RAID Modify SMART Attributes Table	May, 2019
Rev 1.8	Modify Performance Table Update RoHS report with 2019 version Add CE/FCC Certification	May, 2019
Rev 1.9	Modify Performance Table Add UL Certification	Sep., 2019
Rev 2.0	Add 4TB single PCB information	Feb., 2020
Rev 2.1	Update Power consumption table	May, 2020
Rev 2.2	Add 8TB information	Aug., 2020
Rev 2.3	Add Kioxia 64 Layers 3D TLC & Kioxia 96 Layers 3D TLC information	Oct., 2020
Rev 2.4	Modify Performance & Power Consumption Information	Oct., 2020
Rev 2.5	Add 256GB with Kioxia 96 Layers 3D TLC information Modify 512GB with Kioxia 96 Layers 3D TLC information Revise Storage temperature range	Dec., 2020
Rev 2.6	Modify Performance table	Feb., 2021
Rev 2.6.1	Modify the description of mechanism	Apr., 2021

Rev 3.0	Add 112L 3D TLC Information	Jul., 2021
Rev 3.1	Update TBW	Aug., 2021
Rev 3.2	Modify Performance data	Aug., 2021
Rev 3.2.1	Update feature	Aug., 2021
Rev 3.3	Update Data Retention	Dec., 2021
Rev 3.4	Update Write Protect Option	Mar., 2022
Rev 3.5	Update iCell function	Mar., 2022
Rev 3.6	Update LBA	Apr., 2022
Rev 3.7	Add an image of Quick Erase	May., 2022
Rev 3.8	Add 112 Layers 128GB(1CH) 、256GB(2CH) Performance	Jun., 2022
Rev 3.9	Update Power consumption format &64 Layers Performance	Aug., 2022
Rev 4.0	Update 128GB LBA	Oct., 2022
Rev 4.1	Update 112 Layers Performance	Oct., 2022
Rev 4.2	Update 112 Layers 512GB Performance	Dec., 2022
Rev 4.3	Remove EOL Product	May., 2023

## List of Tables

<b>TABLE 1: DEVICE PARAMETERS</b> .....	11
<b>TABLE 2: PERFORMANCE- 64 LAYERS 3D TLC<sup>1</sup> –SLIM INSIDE</b> .....	11
<b>TABLE 3: PERFORMANCE- 64 LAYERS 3D TLC<sup>1</sup> –FULL PCB</b> .....	12
<b>TABLE 4: PERFORMANCE- 96 LAYERS 3D TLC<sup>1</sup></b> .....	12
<b>TABLE 5: PERFORMANCE- 112 LAYERS 3D TLC<sup>1</sup></b> .....	13
<b>TABLE 6: INNODISK 2.5" SATA SSD 3TG6-P POWER REQUIREMENT</b> .....	13
<b>TABLE 7: TYPICAL POWER CONSUMPTION</b> .....	13
<b>TABLE 8: TEMPERATURE RANGE FOR 2.5" SATA SSD 3TG6-P</b> .....	14
<b>TABLE 9: SHOCK/VIBRATION TESTING FOR 2.5" SATA SSD 3TG6-P</b> .....	14
<b>TABLE 10: 2.5" SATA SSD 3TG6-P MTBF</b> .....	14
<b>TABLE 11: INNODISK 2.5" SATA SSD 3TG6-P PIN ASSIGNMENT</b> .....	16
<b>TABLE 12: EXECUTE QUICK ERASE COMMAND FOR INPUTS INFORMATION</b> .....	23
<b>TABLE 13: QUICK ERASE COMMAND FOR NORMAL OUTPUT INFORMATION</b> .....	23

## List of Figures

<b>FIGURE 1: INNODISK 2.5" SATA SSD 3TG6-P .....</b>	<b>9</b>
<b>FIGURE 2: INNODISK 2.5" SATA SSD 3TG6-P BLOCK DIAGRAM.....</b>	<b>20</b>
<b>FIGURE 3: DIAGRAM OF 2.5" SATA SSD WITH ICELL.....</b>	<b>22</b>
<b>FIGURE 4: SIGNAL SEGMENT AND POWER SEGMENT.....</b>	<b>27</b>
<b>FIGURE 5: 2.5" SATA SSD 3TG6-P MECHANICAL SCREW HOLE .....</b>	<b>28</b>



# 1. Product Overview

## 1.1 Introduction of Innodisk 2.5" SATA SSD 3TG6-P

Innodisk 2.5" SATA SSD 3TG6-P products provide high capacity flash memory Solid State Drive (SSD) that electrically complies with Serial ATA (SATA) standard. It supports SATA III standard (6.0GHz) with high performance. Innodisk 2.5" SATA SSD 3TG6-P is designed for industrial field, and supports several standard features, including TRIM, NCQ, and S.M.A.R.T. The SSD have good performance, no latency time and small seek time. It effectively reduces the booting time of operation system and the power consumption is less than hard disk drive (HDD).

**CAUTION** *TRIM must be enabled.*

*TRIM enables SSD's controller to skip invalid data instead of moving. It can free up significant amount of resources, extends the lifespan of SSD by reducing erase, and write cycles on the SSD. Innodisk's handling of garbage collection along with TRIM command improves write performance on SSDs.*

## 1.2 Product View and Models

Innodisk 2.5" SATA SSD 3TG6-P is available in follow capacities:

- |                            |                            |
|----------------------------|----------------------------|
| 2.5" SATA SSD 3TG6-P 128GB | 2.5" SATA SSD 3TG6-P 256GB |
| 2.5" SATA SSD 3TG6-P 512GB | 2.5" SATA SSD 3TG6-P 1TB   |
| 2.5" SATA SSD 3TG6-P 2TB   | 2.5" SATA SSD 3TG6-P 4TB   |



**Figure 1: Innodisk 2.5" SATA SSD 3TG6-P**

### **1.3 SATA Interface**

Innodisk 2.5" SATA SSD 3TG6-P supports SATA III interface, and backward compliant with SATA I and SATA II.

### **1.4 2.5-inch Form Factor**

The Industry-standard 2.5-inch form factor design with metal material case is easy for installation, which has a compact design 69.85mm (W) x 100.00mm (L) x 7.00mm (H)

## 2. Product Specifications

### 2.1 Capacity and Device Parameters

2.5" SATA SSD 3TG6-P device parameters are shown in Table 1.

**Table 1: Device parameters**

Capacity	LBA	Cylinders	Heads	Sectors	User Capacity(MB)
128GB	234441648	16383	16	63	114473
256GB	468862128	16383	16	63	228936
512GB	937703088	16383	16	63	457862
1TB	1875385008	16383	16	63	915715
2TB	3750748848	16383	16	63	1831420
4TB	7501497696	16383	16	63	3662840

### 2.2 Performance

Burst Transfer Rate: 6.0Gbps

**Table 2: Performance- 64 Layers 3D TLC<sup>1</sup> –Slim inside**

Capacity	Unit	128GB	256GB	512GB	1TB
Sequential <sup>2</sup> Read (max.)	MB/s	510	510	510	510
Sequential <sup>2</sup> Write (max.)		150	300	450	450
4KB Random <sup>2</sup> Read (QD32)	IOPS	46,000	69,000	72,000	75,000
4KB Random <sup>2</sup> Write (QD32)		38,000	56,000	58,000	58,000

Note: 1. Performance based on CrystalDiskMark 5.1.2 with file size 1000MB of Queue Depth 32

2. Performance may vary based on various firmware version or test platform

**Table 3: Performance- 64 Layers 3D TLC<sup>1</sup> –Full PCB**

Capacity	Unit	128GB (2CH)	256GB	512GB	1TB	2TB	4TB
Sequential <sup>2</sup> Read (max.)	MB/s	560	560	560	530	520	520
Sequential <sup>2</sup> Write (max.)		130	280	520	460	440	470
4KB Random <sup>2</sup> Read (QD32)	IOPS	41,000	74,000	76,000	88,000	78,000	9,000
4KB Random <sup>2</sup> Write (QD32)		34,000	54,000	65,000	62,000	61,000	51,000

Note: 1. Performance based on CrystalDiskMark 5.1.2 with file size 1000MB of Queue Depth 32  
 2. Performance may vary based on various firmware version or test platform

**Table 4: Performance- 96 Layers 3D TLC<sup>1</sup>**

Capacity	Unit	256GB	512GB	1TB	2TB	4TB <sup>2</sup>
Sequential <sup>3</sup> Read (max.)	MB/s	550	550	510	490	500
Sequential <sup>3</sup> Write (max.)		140	310	440	440	440
4KB Random <sup>3</sup> Read (QD32)	IOPS	43,000	74,000	80,000	80,000	65,000
4KB Random <sup>3</sup> Write (QD32)		36,000	63,000	57,000	55,000	55,000

Note: 1. Performance based on CrystalDiskMark 6.0.2 with file size 1000MB of Queue Depth 32  
 2. Single PCB inside  
 3. Performance may vary based on various firmware version or test platform

**Table 5: Performance- 112 Layers 3D TLC<sup>1</sup>**

Capacity	Unit	128GB (Slim inside)	128GB (Full PCB)	256GB (Slim inside)	256GB (Full PCB)	512GB (Slim inside)	512GB (Full PCB)	1TB	2TB	4TB <sup>2</sup>
Sequential <sup>3</sup> Read (max.)	MB/s	410	240	550	460	550	510	510	510	450
Sequential <sup>3</sup> Write (max.)		90	90	180	170	350	340	450	460	430
4KB Random <sup>3</sup> Read (QD32)	IOPS	29,000	31,000	55,000	59,000	71,000	72,000	73,000	73,000	73,000
4KB Random <sup>3</sup> Write (QD32)		23,000	23,000	45,000	45,000	63,000	57,000	57,000	57,000	57,000

- Note: 1. Performance based on CrystalDiskMark 6.0.2 with file size 1000MB of Queue Depth 32  
 2. Single PCB inside  
 3. Performance may vary based on various firmware version or test platform

## 2.3 Electrical Specifications

### 2.3.1 Power Requirement

**Table 6: Innodisk 2.5" SATA SSD 3TG6-P Power Requirement**

Item	Symbol	Rating	Unit
Input voltage	V <sub>IN</sub>	+5 DC +- 5%	V

### 2.3.2 Power Consumption

**Table 7: Typical Power Consumption**

Mode	Power Consumption (W)
Read(RMS) <sup>1</sup>	5.5
Write(RMS) <sup>1</sup>	6.3
Idle	3.7
Boot-Up	13.6

Target: 2.5" SATA SSD 3TG6-P

## 2.4 Environmental Specifications

### 2.4.1 Temperature Ranges

**Table 8: Temperature range for 2.5" SATA SSD 3TG6-P**

Temperature	Range
Operating	Standard Grade: 0°C to +70°C
	Industrial Grade: -40°C to +85°C
Storage	-40°C to +85°C

### 2.4.2 Humidity

Relative Humidity: 10-95%, non-condensing

### 2.4.3 Shock and Vibration

**Table 9: Shock/Vibration Testing for 2.5" SATA SSD 3TG6-P**

Reliability	Test Conditions	Reference Standards
Vibration	7 Hz to 2K Hz, 20G, 3 axes	IEC 60068-2-6
Mechanical Shock	Duration: 0.5ms, 1500 G, 3 axes	IEC 60068-2-27

### 2.4.4 Mean Time between Failures (MTBF)

The following table summarizes the MTBF prediction results for various 2.5" SATA SSD 3TG6-P configurations. The analysis was performed using a RAM Commander™ failure rate prediction.

- Failure Rate:** The total number of failures within an item population, divided by the total number of life units expended by that population, during a particular measurement interval under stated condition.
- Mean Time between Failures (MTBF):** A basic measure of reliability for repairable items: The mean number of life units during which all parts of the item perform within their specified limits, during a particular measurement interval under stated conditions.

**Table 10: 2.5" SATA SSD 3TG6-P MTBF**

Product	Condition	MTBF (Hours)
Innodisk 2.5" SATA SSD 3TG6-P	Telcordia SR-332 GB, 25°C	>3,000,000

## 2.5 CE and FCC Compatibility

2.5" SATA SSD 3TG6-P conforms to CE and FCC requirements.

## 2.6 RoHS Compliance

2.5" SATA SSD 3TG6-P is fully compliant with RoHS directive.

### 2.7 Reliability

Parameter	Value	
Flash endurance	3,000 P/E cycles	
Error Correct Code	Support	
Data Retention	Under 40 °C: 10 Years at Initial NAND status ; 1 Year at NAND Life End	
<b>TBW* (Total Bytes Written) Unit:TB</b>		
<b>Capacity</b>	<b>Sequential workload</b>	<b>Client workload</b>
128GB	341	289
256GB	682	578
512GB	1364	1154
1TB	2663	2308
2TB	5327	4615
4TB	10654	9231
*Note: 1. Sequential: Mainly sequential write. 2. Client: Follow JESD218 Test method and JESD219A Workload, tested by ULINK. (The capacity lower than 64GB client workload is not specified in JEDEC219A, the values are estimated.) 3. Based on out-of-box performance.		

### 2.8 Transfer Mode

2.5" SATA SSD 3TG6-P support following transfer mode:

Serial ATA III 6.0Gbps

Serial ATA II 3.0Gbps

Serial ATA I 1.5Gbps

### 2.9 Pin Assignment

Innodisk 2.5" SATA SSD 3TG6-P uses a standard SATA pin-out. See following table for 2.5" SATA SSD 3TG6-P pin assignment.

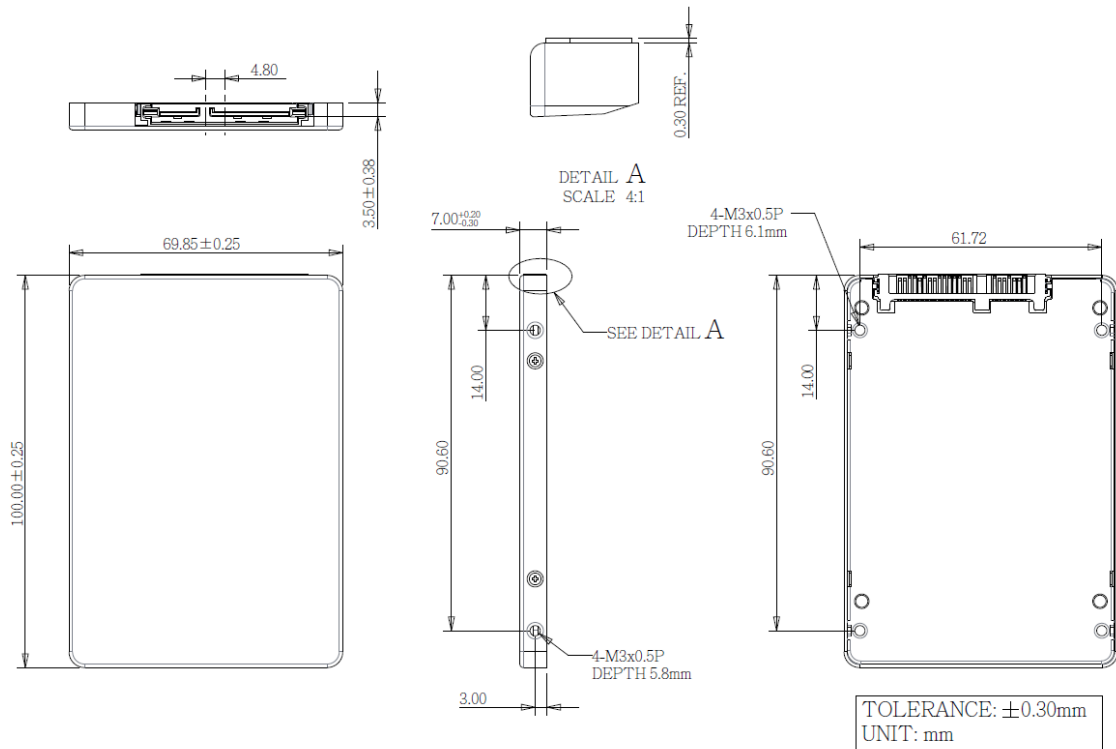
**Table 11: Innodisk 2.5" SATA SSD 3TG6-P Pin Assignment**

Name	Type	Description
S1	GND	NA
S2	A+	Differential Signal Pair A
S3	A-	
S4	GND	NA
S5	B-	Differential Signal Pair B
S6	B+	
S7	GND	NA
<b>Key and Spacing separate signal and power segments</b>		
P1	NC	NA
P2	NC	NA
P3	NC	NA
P4	GND	NA
P5	GND	NA
P6	GND	NA
P7	V5	5V Power, Pre-Charge
P8	V5	5V Power
P9	V5	5V Power
P10	GND	NA
P11	DAS/DSS	Device Activity Signal / Disable Staggered
P12	GND	NA
P13	NC	NA
P14	NC	NA
P15	NC	NA

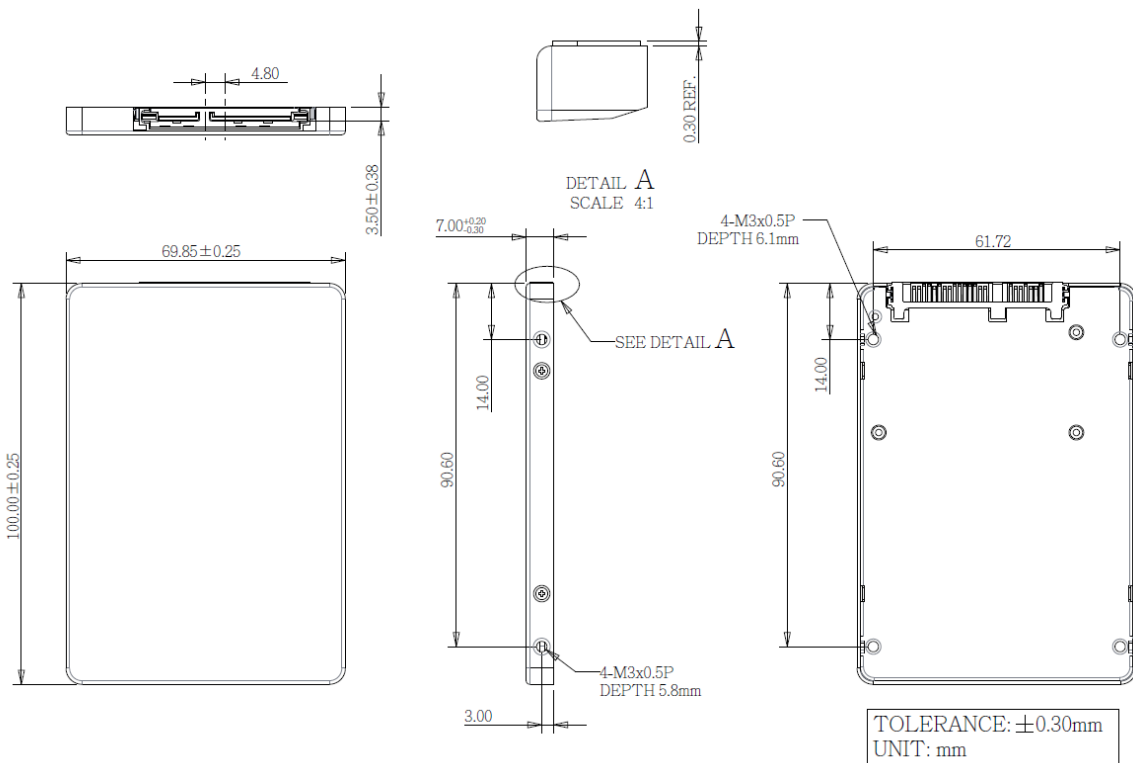


### 2.10 Mechanical Dimensions

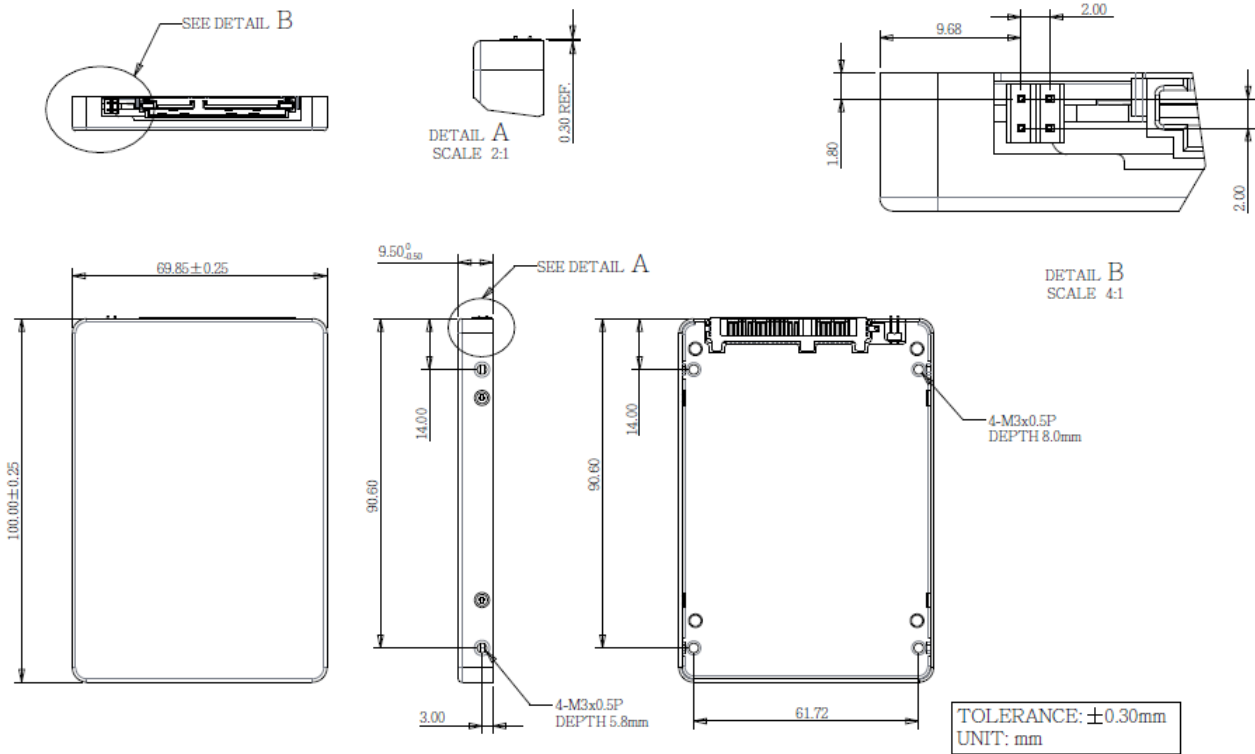
\* Full PCB



\* Slim inside



**\*DGS25-04TM71EXAQF (Dual Board)**



## 2.11 Assembly Weight

An Innodisk 2.5" SATA SSD 3TG6-P within 3D TLC flash ICs, 2TB's weight is 90 grams approx.

## 2.12 Seek Time

Innodisk 2.5" SATA SSD 3TG6-P is not a magnetic rotating design. There is no seek or rotational latency required.

## 2.13 Hot Plug

The SSD support hot plug function and can be removed or plugged-in during operation. User has to avoid hot plugging the SSD which is configured as boot device and installed operation system.

Surprise hot plug: The insertion of a SATA device into a backplane (combine signal and power) that has power present. The device powers up and initiates an OOB sequence.

Surprise hot removal: The removal of a SATA device from a powered backplane, without first being placed in a quiescent state.

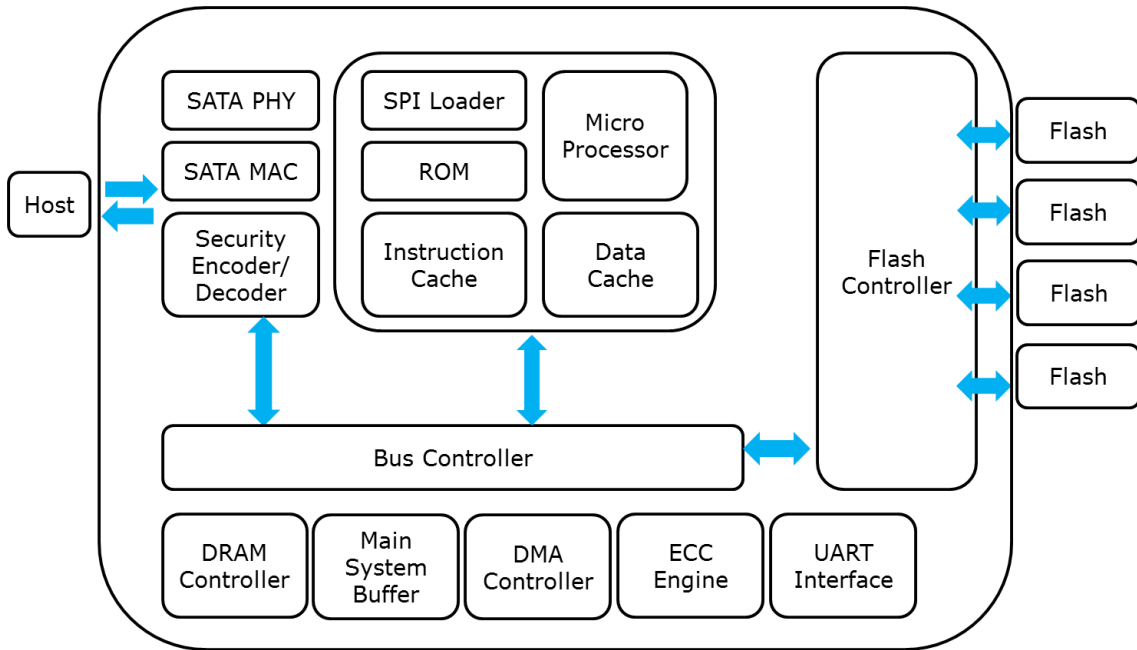
## 2.14 NAND Flash Memory

Innodisk 2.5" SATA SSD 3TG6-P uses 3D TLC NAND flash memory, with 3,000 program & erase cycles, which is non-volatility, high reliability and high speed memory storage.

# 3. Theory of Operation

## 3.1 Overview

Figure 2 shows the operation of Innodisk 2.5" SATA SSD 3TG6-P from the system level, including the major hardware blocks.



**Figure 2: Innodisk 2.5" SATA SSD 3TG6-P Block Diagram**

Innodisk 2.5" SATA SSD 3TG6-P integrates a SATA III controller and NAND flash memories. Communication with the host occurs through the host interface, using the standard ATA protocol. Communication with the flash device(s) occurs through the flash interface.

\* iCell is optional feature with different part number.

## 3.2 SATA Controller

Innodisk 2.5" SATA SSD 3TG6-P is designed with 88SS1080, a SATA III 6.0Gbps controller, The Serial ATA physical, link and transport layers are compliant with Serial ATA Gen 1, Gen 2 and Gen 3 specification (Gen 3 supports 1.5Gbps/3.0Gbps/6.0Gbps data rate). The controller has 4 channels for flash interface.

## 3.3 Error Detection and Correction

Innodisk 2.5" SATA SSD 3TG6-P is designed with hardware LDPC ECC engine with hard-decision and soft-decision decoding. Low-density parity-check (LDPC) codes have excellent error correcting performance close to the Shannon limit when decoded with the belief-propagation (BP) algorithm using soft-decision information.

### 3.4 Wear-Leveling

Flash memory can be erased within a limited number of times. This number is called the **erase cycle limit** or **write endurance limit** and is defined by the flash array vendor. The erase cycle limit applies to each individual erase block in the flash device.

Innodisk 2.5" SATA SSD 3TG6-P uses a static wear-leveling algorithm to ensure that consecutive writes of a specific sector are not written physically to the same page/block in the flash. This spreads flash media usage evenly across all pages, thereby extending flash lifetime.

### 3.5 Bad Blocks Management

Bad Blocks are blocks that contain one or more invalid bits whose reliability are not guaranteed. The Bad Blocks may be presented while the SSD is shipped, or may develop during the life time of the SSD. When the Bad Blocks is detected, it will be flagged, and not be used anymore. The SSD implement Bad Blocks management, Bad Blocks replacement, Error Correct Code to avoid data error occurred. The functions will be enabled automatically to transfer data from Bad Blocks to spare blocks, and correct error bit.

### 3.6 iData Guard

iData Guard is a comprehensive data protection mechanism that functions before and after a sudden power outage to SSD. Low-power detection terminates data writing before an abnormal power-off, while table-remapping after power-on deletes corrupt data and maintains data integrity. iData Guard provides effective power cycling management, preventing data stored in flash from degrading with use.

### 3.7 Garbage Collection/TRIM

Garbage collection and TRIM technology is used to maintain data consistency and perform continual data cleansing on SSDs. It runs as a background process, freeing up valuable controller resources while sorting good data into available blocks, and deleting bad blocks. It also significantly reduces write operations to the drive, thereby increasing the SSD's speed and lifespan.

### 3.8 iCell Technology (Optional)

iCell circuit is designed with several capacitors to be able to provide power after host power off. The SSD controller can write all DRAM buffer data to flash, so that is why 2.5" SATA SSD 3TG6-P can ensure all data can be written to disk without any data loss. Once the SSD controller receives this feedback signal, the SSD firmware triggers a mechanism to write the data into flash storage. As a result, iCell is able to provide power during power outage, preventing any data loss from happening.



Figure 3: Diagram of 2.5" SATA SSD with iCell

### 3.9 iPower Guard

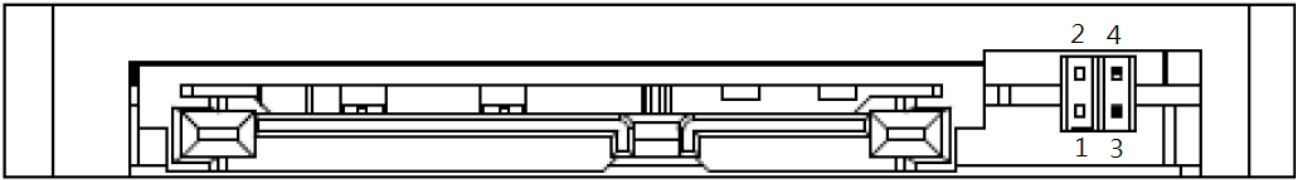
iPower Guard technology is a set of preventive measures that protect the SSD in an unstable power supply environment. This comprehensive package comprises safeguards for start-up and shut-down to maintain device performance and ensure data integrity.

### 3.10 Die RAID

Die RAID is a controller function which leveraged user capacity to back up the data in NAND flash. Die RAID supported can ensure the user data in the NAND Flash more consistent in certain scenario. Innodisk 2.5" SATA SSD 3TG6-P series is default enable the Die RAID function for the industrial application.

### 3.11 Quick Erase (Optional)

Quick Erase function is designed for emergency data erase in few seconds by providing ATA command.



### 3.11.1 Quick Erase Command

- Protocol: No Data

-Inputs

**Table 12: Execute Quick Erase command for inputs information**

Register	7	6	5	4	3	2	1	0
Features	21h							
Sector Count	41h							
LBA Low	Na							
LBA Mid	Na							
LBA High	Na							
Device	1	1	1	0	Na			
Command	82h							

-Normal Outputs

**Table 13: Quick Erase command for normal output information**

Register	7	6	5	4	3	2	1	0
Error	Na							
Sector Count	Na							
LBA Low	Na							
LBA Mid	Na							
LBA High	Na							
Device	obs	Na	obs	DEV	Na	Na	Na	Na
Status	BSY	DRDY	DF	Na	DRQ	Na	Na	ERR

Device register-

**DEV** shall specify the selected device.

Status register

**BSY** will be cleared to zero indicating command completion

**DRDY** will be set to one.

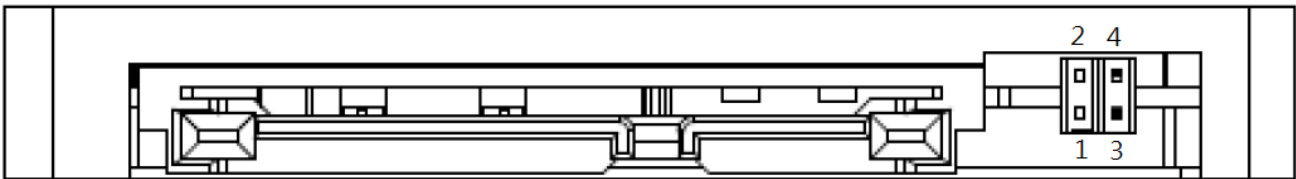
**DF** (Device Fault) will be cleared to zero.

**DRQ** will be cleared to zero

**ERR** will be cleared to zero.

### 3.12 Write Protect (Optional)

Write Protect can be triggered by sending ATA command or shorting GPIO Pins (GPIO Pins optional for certain Part Numbers). When Write Protect function is enabled, ATA write command would be aborted, which can prevent the disk from data modification or data deletion. Write-protected data in disk is read-only, that is, users could not write to it, edit it, append data to it, or delete it. Write Protect pin is set for optional and available for customization (Pin 3/4).



#### 3.12.1 Write Protect Command

This command enable SSD into write protect mode, which is read-only. The SSD under write protect will overpass any write command.

**-Protocol: Non Data Command**

**-Inputs**

**Execute Enable Write Protect command for inputs information**

Register	7	6	5	4	3	2	1	0
Features	17h							
Sector Count	41h							
LBA Low	Na							
LBA Mid	Na							
LBA High	Na							
Device	1	1	1	0	Na			
Command	82h							

**-Normal Outputs**

**Execute Enable Write Protect command for normal output information**

Register	7	6	5	4	3	2	1	0
Error	Na							
Sector Count	Na							
LBA Low	Na							
LBA Mid	Na							



LBA High	Na							
Device	obs	Na	obs	DEV	Na	Na	Na	Na
Status	BSY	DRDY	DF	Na	DRQ	Na	Na	ERR

Device register-

**DEV** shall specify the selected device.

Status register

**BSY** will be cleared to zero indicating command completion

**DRDY** will be set to one.

**DF** (Device Fault) will be cleared to zero.

**DRQ** will be cleared to zero

**ERR** will be cleared to zero.

### 3.12.2 Disable Write Protect Command

This command disable SSD's write protect feature.

**-Protocol: Non Data Command**

**-Inputs**

**Execute Disable Write Protect command for inputs information**

Register	7	6	5	4	3	2	1	0
Features	18h							
Sector Count	41h							
LBA Low	Na							
LBA Mid	Na							
LBA High	Na							
Device	1	1	1	0	Na			
Command	82h							

**-Normal Outputs**

**Execute Disable Write Protect command for normal output information**

Register	7	6	5	4	3	2	1	0
Error	Na							
Sector Count	Na							
LBA Low	Na							
LBA Mid	Na							
LBA High	Na							

Device	obs	Na	obs	DEV	Na	Na	Na	Na
Status	BSY	DRDY	DF	Na	DRQ	Na	Na	ERR

Device register-

**DEV** shall specify the selected device.

Status register

**BSY** will be cleared to zero indicating command completion

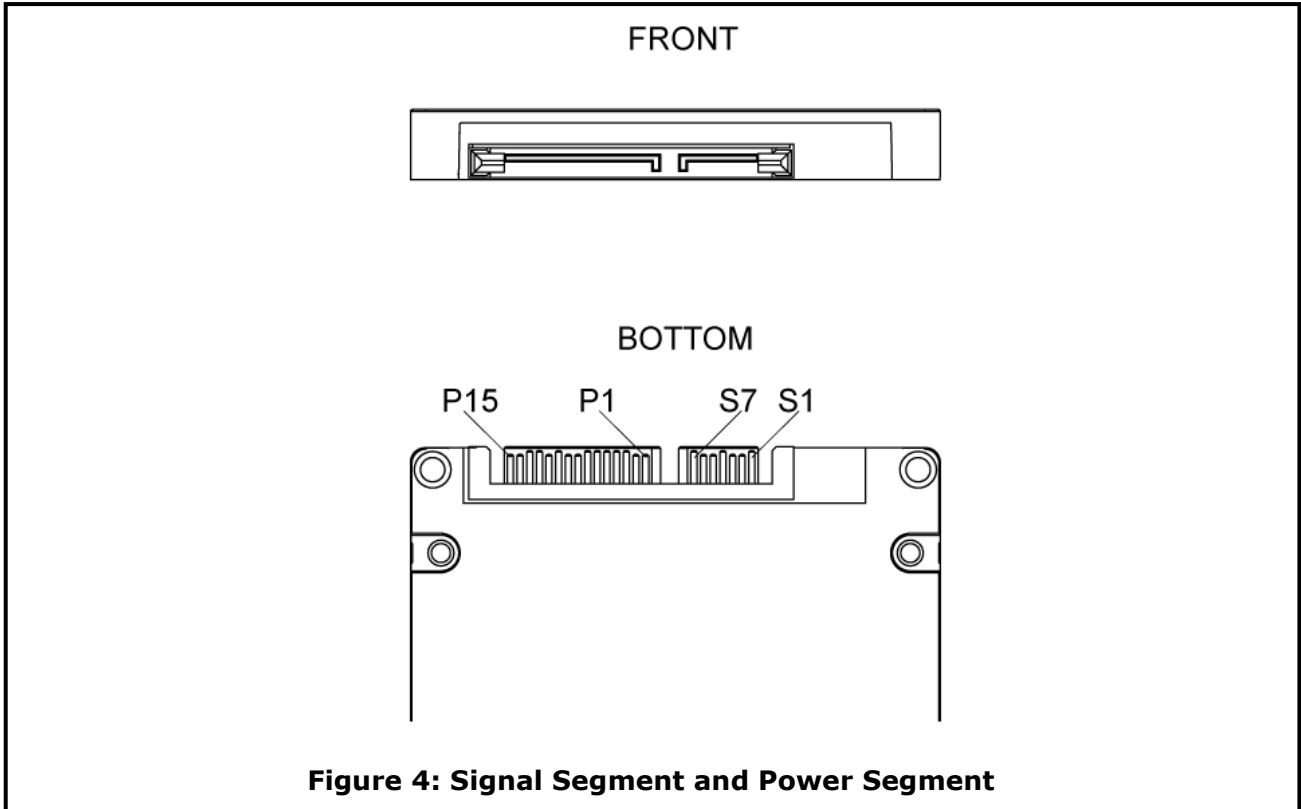
**DRDY** will be set to one.

**DF** (Device Fault) will be cleared to zero.

**DRQ** will be cleared to zero

## 4. Installation Requirements

### 4.1 2.5" SATA SSD 3TG6-P Pin Directions



### 4.2 Electrical Connections for 2.5" SATA SSD 3TG6-P

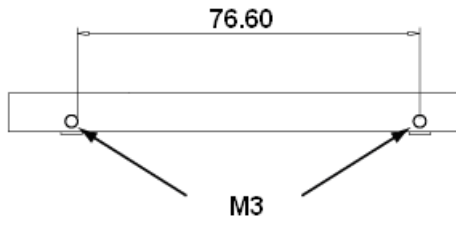
A Serial ATA device may be either directly connected to a host or connected to a host through a cable. For connection via cable, the cable should be no longer than 1 meter. The SATA interface has a separate connector for the power supply. Please refer to the pin description for further details.

### 4.3 Form Factor

Please prepare following things:

- Screw driver.
- Four M3 screws. (Torque value is 2.0 ~ 2.5 Kgf.cm)
- SATA single cable (7-pin, Maximum length 1 meter).
- SATA power cable (15-pin).

Please turn off your computer, and open your computer's case. Find one of available 2.5-inch slot, and plug the SSD in. To use the screws fix the SSD. Plug in the SATA single cable, and power cable. Please boot the installation Operation System from CD-ROM, and install Operation System into SSD.



**Figure 5: 2.5" SATA SSD 3TG6-P Mechanical Screw Hole**

#### 4.4 Device Drive

No additional device drives are required. Innodisk 2.5" SATA SSD 3TG6-P can be configured as a boot device.

## 5. SMART Feature Set

Innodisk 3TG6-P series support the SMART command set and defines some vendor-specific data to report SMART attributes of SSD.

Value	Command
D0h	Read Data
D1h	Read Attribute Threshold
D2h	Enable/Disable Autosave
D3h	Save Attribute Values
D4h	Execute OFF-LINE Immediate
D5h	Read Log
D6h	Return Status
D8h	Enable SMART Operations
D9h	Disable SMART Operations
DAh	Return Status

## 5.1 SMART Attributes

Innodisk 3TG6-P series SMART data attributes are listed in following table.

Attribute ID (hex)	Raw Attribute Value							Attribute Name
	LSB			MSB				
5 (05h)	LSB			MSB	00	00	00	Later Bad
9 (09h)	LSB			MSB	00	00	00	Power-On hours Count
12 (0Ch)	LSB			MSB	00	00	00	Drive Power Cycle Count
163 (A3h)	LSB					MSB	00	Total Bad Block Count
165 (A5h)	LSB			MSB	00	00	00	Max Erase count
167 (A7h)	LSB			MSB	00	00	00	Avg Erase count
169 (A9h)	LSB	00	00	00	00	00	00	Device Life
170 (AAh)	LSB					MSB	00	Spare Block Count
171 (ABh)	LSB					MSB	00	Program fail count
172 (ACh)	LSB					MSB	00	Erase fail count
184 (B8h)	LSB			MSB	00	00	00	Error Corrected Count
187 (BBh)	LSB			MSB	00	00	00	Reported Uncorrect Count
192 (C0h)	LSB			MSB	00	00	00	Unexpected Power Loss Count
194 (C2h)	Cur.*	00	MIN	00	MAX	03	Cur.*	Temperature
229 (E5h)	ID 0	ID 1	ID 2	ID 3	ID 4	ID 5	00	Flash ID
235 (EBh)		MSB	LSB	MSB	LSB	MSB	LSB	Later bad block info (Read/Write/Erase)
241 (F1h)	LSB					MSB	00	Total LBA written(LBA=32MB)
242 (F2h)	LSB					MSB	00	Total LBA read(LBA=32MB)

Cur. \* =Current

## 6. Part Number Rule

CODE	1	2	3	4	5	6	7	8	9	10	11	12	13	14	15	16	17	18	19	20	21
	D	G	S	2	5	-	A	2	8	M	7	1	E	C	1	Q	F	(P)	-	X	X
<b>Definition</b>																					
<b>Code 1<sup>st</sup> (Disk)</b>											<b>Code 13<sup>th</sup> (Flash mode)</b>										
D : Disk											E: 64 layers 3D TLC										
											G: 96 layers 3D TLC										
											K: 112 layers 3D TLC										
<b>Code 2<sup>nd</sup> ~ 5<sup>th</sup> (Form Factor)</b>											<b>Code 14<sup>th</sup> (Operation Temperature)</b>										
GS25: 2.5" SATA SSD											C: Standard Grade (0°C~ +70°C)										
<b>Code 7<sup>th</sup> ~9<sup>th</sup> (Capacity)</b>											W: Industrial Grade (-40°C~ +85°C)										
A28: 128GB											<b>Code 15<sup>th</sup> (Internal control)</b>										
B56: 256GB											1/A/B: Full PCB										
C12: 512GB											3/C: Slim inside										
01T: 1TB																					
02T: 2TB																					
04T: 4TB											<b>Code 16<sup>th</sup> (Channel of data transfer)</b>										
											S: Single Channel										
<b>Code 10<sup>th</sup> ~12<sup>th</sup> (Series)</b>											D: Dual Channels										
M71: SATA 3TG6-P											Q: Quad Channels										
											<b>Code 17<sup>th</sup> (Flash Type)</b>										
											F: Kioxia 3D TLC										
											<b>Code 18<sup>th</sup> (iCell)</b>										
											P: Optional										
											<b>Code 20<sup>th</sup> ~21<sup>th</sup> (Customized code)</b>										