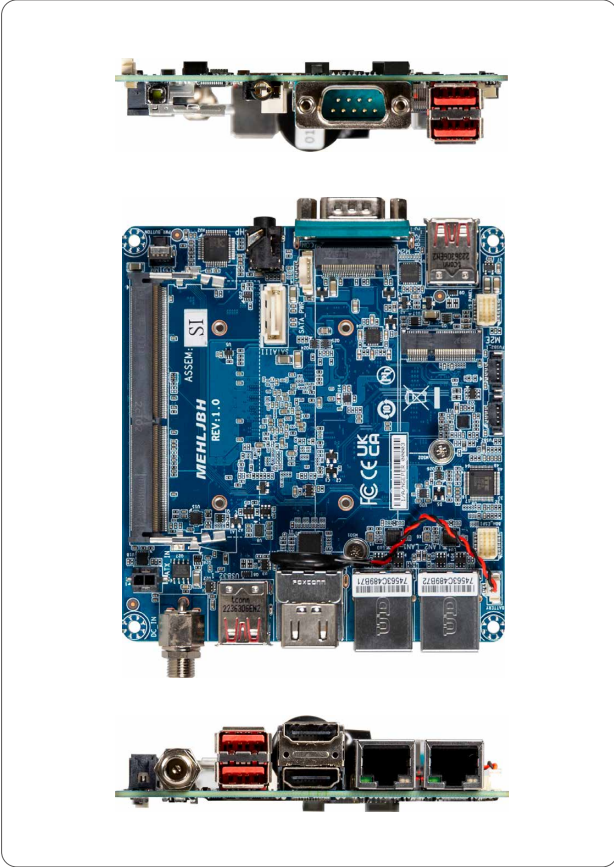


QBi-6412B (MEHLJBH)

Embedded Compact Board with Intel® Celeron® J6412 Processor, Single Channel DDR4 memory, 1 x COM , 1 x SATA 6Gb/s, 6 x USB, TPM on board



Features

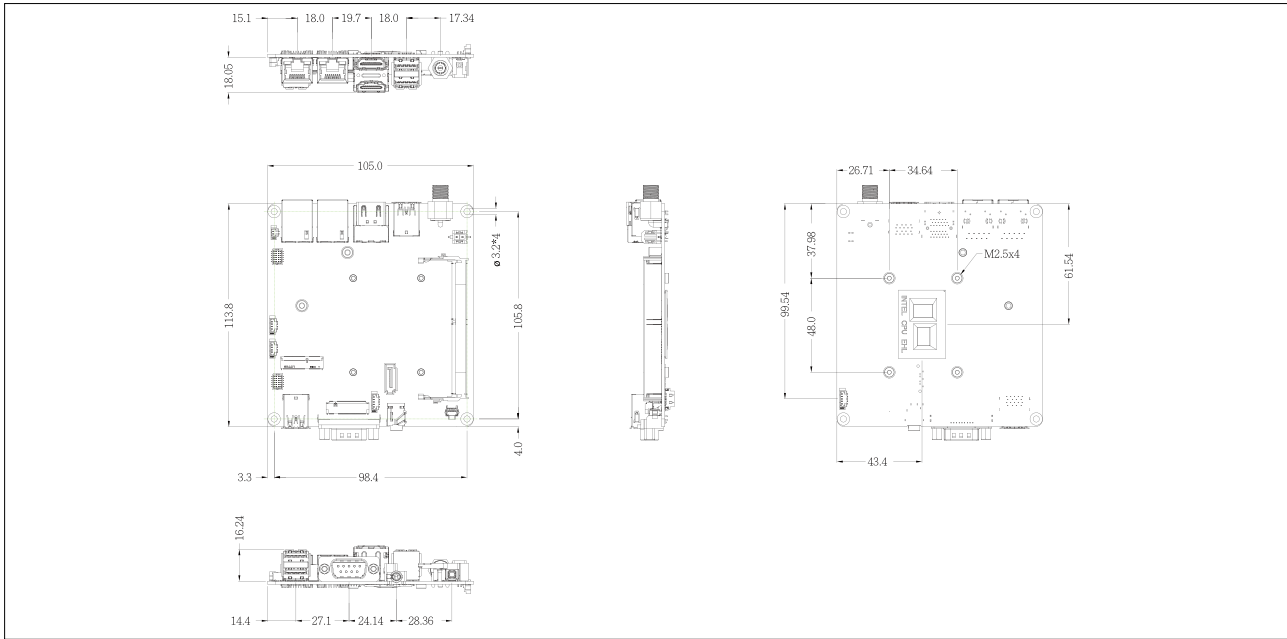
- Embedded IPC Motherboard
- Intel® Celeron® J6412 Processor
- Single Channel DDR4, 1 x SO-DIMM
- 2 x GbE LAN Ports
- 1 x SATA 6Gb/s Port
- Ultra-Fast M.2 with PCIe Gen3 x2 Interface
- 2 x HDMI Ports for multiple display
- 1 x COM Port (RS-232)

Specifications

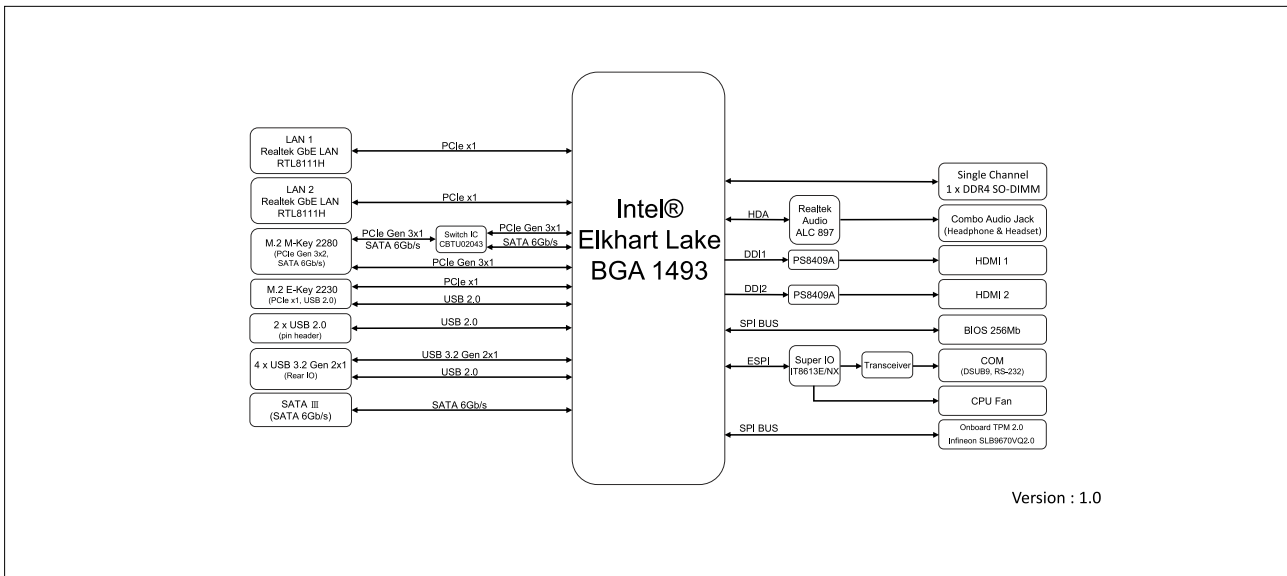
Form Factor	Embedded Compact Board 105W x 110D (mm)
CPU	Intel® Celeron® J6412 Processor 10nm, 4 cores, 4 threads, up to 2.60 GHz TDP 10W
Socket	1 x FCBGA1493
Memory	1 x DDR4 SO-DIMM sockets, Max. Capacity 32 GB Support Single Channel DDR4 3200 MHz memory modules
Ethernet	2 x GbE LAN Ports (Realtek® RTL8111H)
Video	Integrated Graphics Processor - Intel® UHD Graphics for 10th Gen Intel® Processors : 2 x HDMI 2.0 port, supporting a maximum resolution of 4096x2160 @60Hz (2 independent display outputs)
Audio	Realtek® ALC897
Storage	1 x SATA 6Gb/s Port
Raid	—
Expansion Slots	1 x 2280 M.2 M-Key (PCIe x2, SATA 6Gb/s) 1 x 2230 M.2 E-Key

Internal I/O	1 x 2-pin power connector 1 x SATA power header 1 x CPU fan header 1 x Front panel header 2 x USB 2.0 headers
Front IO	2 x USB 3.2 Gen 2x1 1 x COM Port (RS-232) 1 x Combo Audio Jack (Headphone & Headset) 1 x Power button
Rear IO	2 x RJ45 LAN Ports 2 x HDMI 2 x USB 3.2 Gen 2x1 1 x Screw type DC Jack (+12V~19VDC)
Side IO	—
TPM	Onboard TPM 2.0 security chip Infineon SLB9670VQ2.0
OS Compatibility	Windows 10 (x64)
Operating Properties	Operating temperature: 0°C to +60°C Operating humidity: 0-90% (non-condensing) Non-operating temperature: -40°C to +85°C Non-operating humidity: 0%-95% (non-condensing)
Packing Content	Carton size: 465 x 351 x 217 (mm) Packing Capacity: 10pcs Single Box size: 221 x 178 x 65 (mm)
Order Information	Including: SATA power cable 150mm x 1 (P/N: 25CRI-150621-K1R) 9MEHLJBHMR-SI (Box Packing)

GIGAIPC reserves the right to modify or change technical data without prior notice.



Block Diagram



Optional Kit

Part No.	Description	Quantity
25ST1-12311C-A7R	Fanless Heatsink	1
12SF2-01A103-00R	Fansink	1
25ST5-641200-Y0R	Heat spreader	1

GIGAIPC reserves the right to modify or change technical data without prior notice.