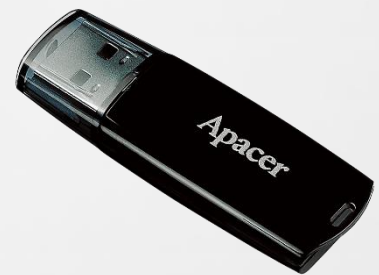


Apacer

The Most **Reliable**
Storage For Industries

AH322-M WORM



AH322-M WORM

Overview

Apacer industrial AH322-M WORM (Write Once Read Many) Drive is a solid-state Flash memory product that provides data storage protection by allowing data to be written once, preventing it from being erased, modified, or overwritten. This write protection function ensures that the data cannot be tampered with once it is written to the device.



Apacer AH322-M WORM Drive is compatible with USB 2.0 standard and designed to plug in directly to USB-A receptacles. With flash management including bad block management, built-in ECC, global wear leveling, S.M.A.R.T., power failure management, and SMART Read Refresh™, Apacer AH322-M WORM Drive serves as an ideal portable storage solution for rugged and embedded applications ranging from industrial, computing to enterprise markets.

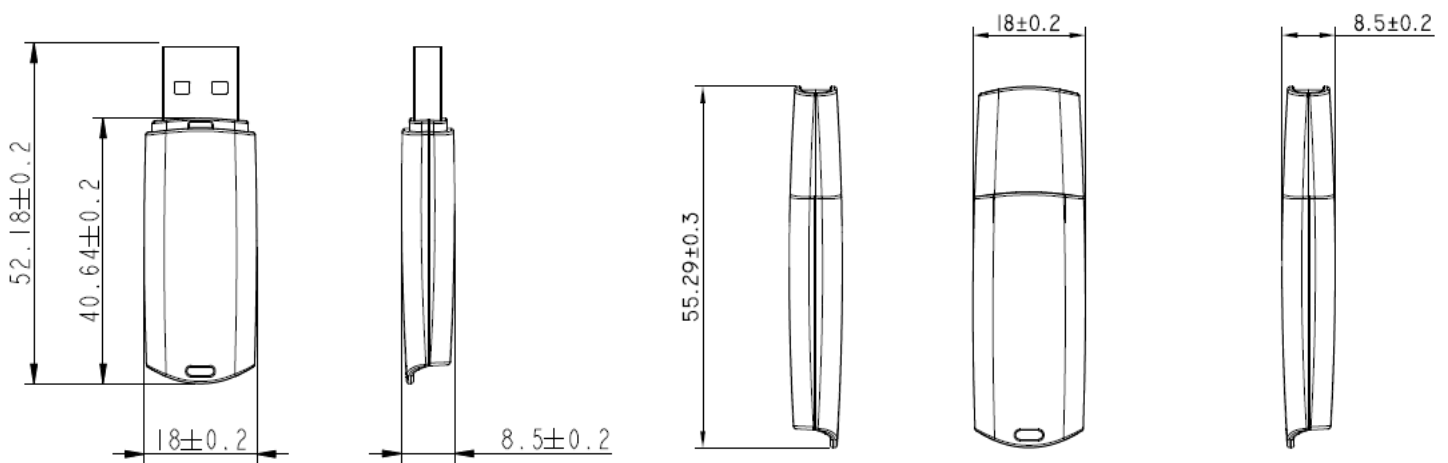
Feature

- Write Once Read Many
- Built-in advanced ECC algorithm
- Global Wear Leveling
- Flash bad-block management
- Power Failure Management
- S.M.A.R.T.
- Smart Read Refresh™

Specifications

Model	AH322-M WORM
Interface	USB 2.0
Connector	USB Type A Plug
Form Factor	USB flash drive
NAND Flash Type	MLC
Capacity	8GB~32GB
External DRAM	No
Sustained Read Performance (MB/sec)	Up to 38
Sustained Write Performance (MB/sec)	Up to 19
ECC Engine	Built-in 43-bit per 1K bytes BCH ECC
Extended Operating Temperature (°C)	-40 ~ + 85
Storage Temperature (°C)	-55 ~ 95
Housing	Yes
H/W Write Protect	No
Shock	Operation: Acceleration, 50(G)/11(ms)/half sine (compliant with MIL-STD-202G) Non-operation: Acceleration, 1500(G)/0.5(ms)/half sine (compliant with MIL-STD-883K)
Vibration	Operation: 7.69 Grms, 20~2000 Hz/random (compliant with MIL-STD-810G) Non-operation: 4.02 Grms, 15~2000 Hz/random (compliant with MIL-STD-810G)
Operating Voltage	5.0 V ± 5%
Power Consumption	Active mode: 200 mA; Idle mode: 60 mA
Dimension (L x W x H)	55.29 x 18.00 x 8.50 (mm)
MTBF (hours)	>3,000,000

Mechanical Specification



For more information,
contact your Apacer representative

Global Presence

Taiwan (Headquarters)

Apacer Technology Inc.
Tel: +886-2-2267-8000
Fax: +886-2-2267-2261

Japan

Apacer Technology Corp.
Tel: +81-3-5419-2668
Fax: +81-3-5419-0018

Europe

Apacer Technology B.V.
Tel: +31-40-267-0000
Fax: +31-40-290-0686

India

Apacer Technologies Pvt. Ltd.
Tel: +91-80-41529061~3
Fax: +91-80-41700215

U.S.A.

Apacer Memory America, Inc.
Tel: +1-408-518-8699
Fax: 1-510-249-9551

Shanghai

Apacer Electronic(Shanghai)
Co., Ltd.
Tel: +86-21-6228-9939