



KS070-BT

Atom

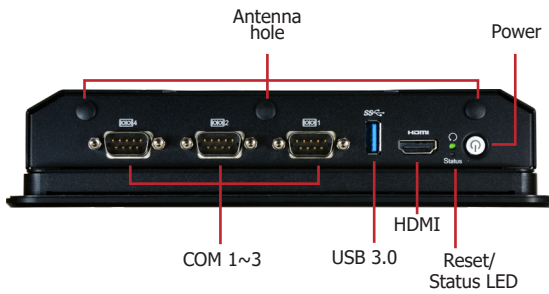


Features

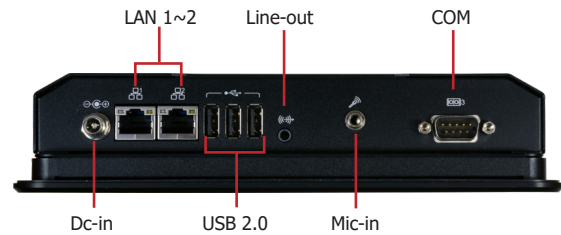
- 7" 800x480 TFT LCD Panel with Touch Screen
- 1x 2.5" SATA drive bay
- IP65 Front Panel Protection
- VESA/Panel Mount
- Rich I/O: 2 LAN, 4 COM, 1 USB 3.0, 3 USB 2.0



Panel



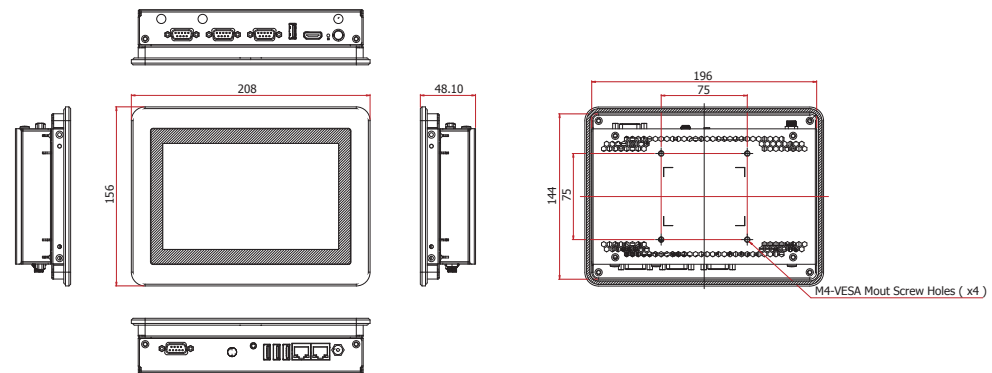
Top View



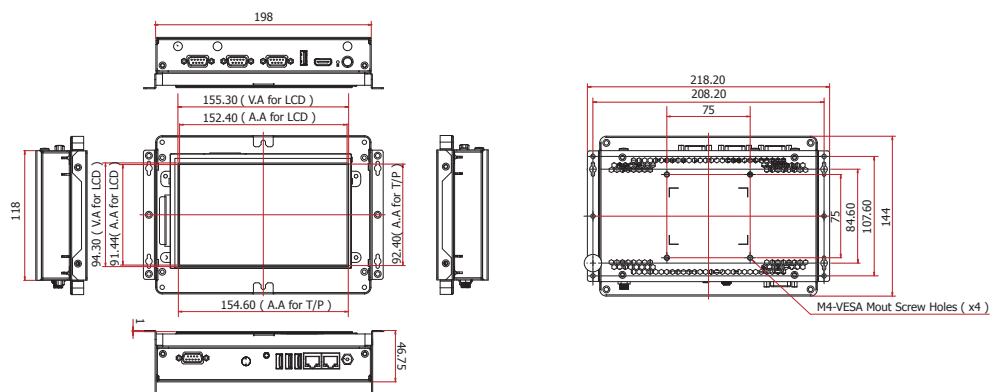
Bottom View

Dimensions

Standard



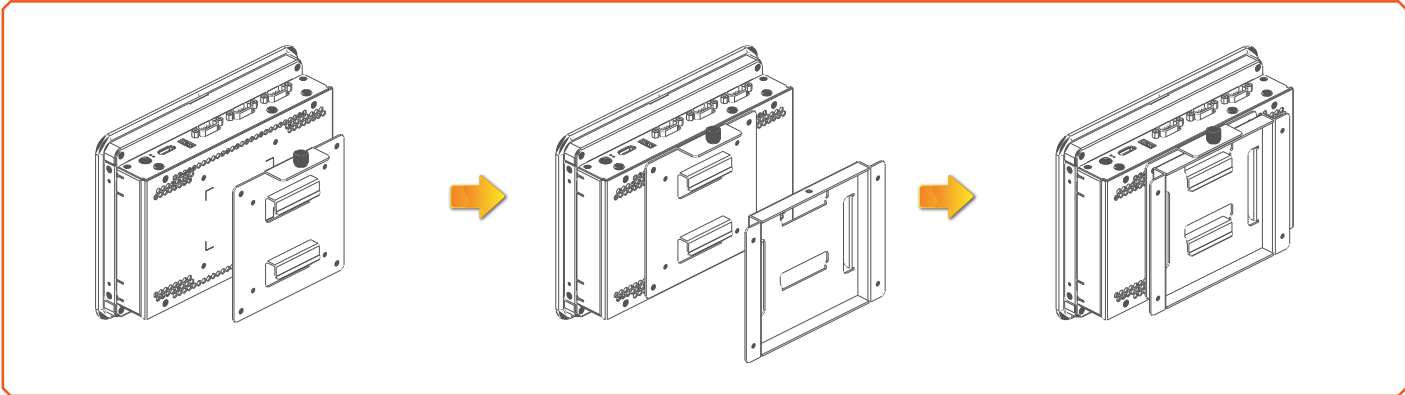
Open Frame



► Specifications

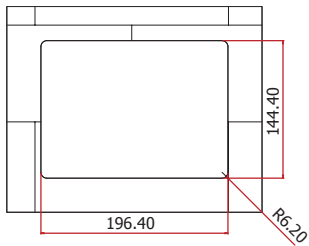
SYSTEM	Processor	Intel Atom® Processor E3800 Series, BGA 1170 Intel Atom® Processor E3845, Quad Core, 2M Cache, 1.91GHz, 10W Intel® Celeron® Processor J1900, Quad Core, 2M Cache, 2GHz (2.42GHz), 10W
	Memory	4GB/2GB Memory Onboard Single Channel DDR3L 1333MHz
	BIOS	AMI SPI 64Mbit
	DISPLAY AND TOUCH SCREEN	
DISPLAY AND TOUCH SCREEN	Display	7" 800x480 TFT LCD Panel with Capacitive Touch Screen
	Brightness	500 cd/m ²
	Contrast	400:1
	Backlight Lifetime	50,000 hours
GRAPHICS	Controller	Intel® HD Graphics
	Feature	DirectX 11, OCL 1.2, OGL 4.0 H.264, MPEG2, MVC, VC-1, WMV9, VP8 (supported version dependent on OS)
	Display	1 x HDMI HDMI: resolution up to 1920x1080 @ 60Hz
	Single Display	HDMI
STORAGE		1 x 2.5" SATA 2.0 Drive Bay 1 x micro SD (available upon request)
EXPANSION	Interface	1 x Full-size Mini PCIe (PCIe/USB/4G) 1 x Full-size Mini PCIe (mSATA) 1 x Half-size Mini PCIe (PCIe/USB/LPC) 1 x SIM Socket
AUDIO	Audio Codec	Realtek ALC886 5.1-channel
ETHERNET	Controller	2 x Intel® I210AT PCIe (10/100/1000Mbps)
LED	Indicators	1 x Power LED 1 x HDD LED
TOP I/O	Serial	3 x RS-232/422/485 (DB-9) (one supports 8-bit DIO)
	USB	1 x USB 3.0 (type A)
	Display	1 x HDMI
	Buttons	1 x Power Button 1 x Reset Button
	Wi-Fi Antenna	3 x Wi-Fi Module Antenna Hole
BOTTOM I/O	Ethernet	2 x GbE (RJ-45) (10/100/1000Mbps)
	Serial	1 x RS-232/422/485 (DB-9)
	USB	3 x USB 2.0 (type A)
	Audio	1 x Line-out 1 x Mic-in
	WATCHDOG TIMER	Output & Interval
POWER	Type	16~24V DC
	Connector	DC Jack
	OS SUPPORT	Windows 7 (32-bit/64-bit) Windows 10 IoT Enterprise (32-bit/64-bit) Windows 8.1 Embedded (32-bit/64-bit) (available upon request) Linux
MECHANISM	Construction	Aluminum Front Bezel (standard)
	IP Rating	IP65 Front Panel Protection (standard)
	Mounting	Panel/VESA Mount
	Dimensions (W x H x D)	208mm x 156mm x 48.1mm (standard) 218.2mm x 144mm x 46.75mm (open frame)
	Weight	2kg
ENVIRONMENT	Operating Temperature	0 to 50°C
	Storage Temperature	-30 to 80°C
	Relative Humidity	5 to 85% RH (non-condensing)
STANDARDS AND CERTIFICATIONS	Shock	OP: Half-sine, 3G @ 11ms Non-OP: Half-sine, 5G @ 11ms
	Vibration	OP: Random, 1Grms @ 5~500Hz, 30min Non-OP: Sweep sine, 3Grms @ 10~500Hz, 30min
	Certifications	CE, FCC, RoHS

► VESA Mounting

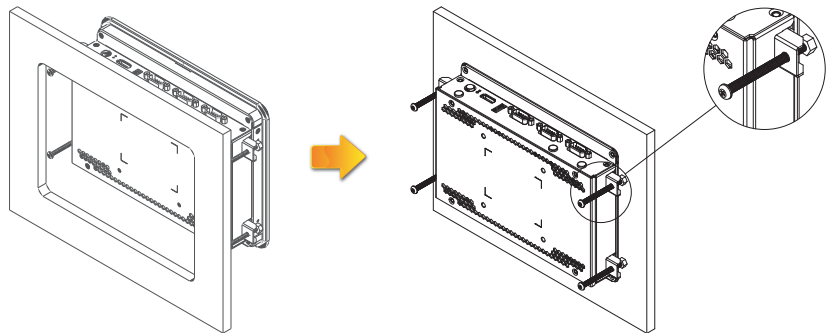


► Panel Mounting

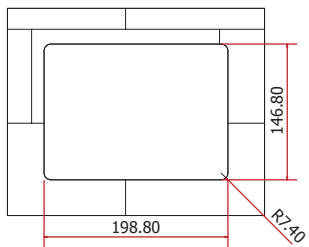
Suggested cut out size
(The flat panel thickness is less than 10mm)



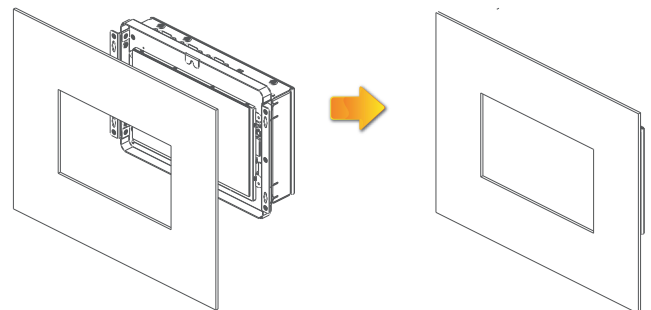
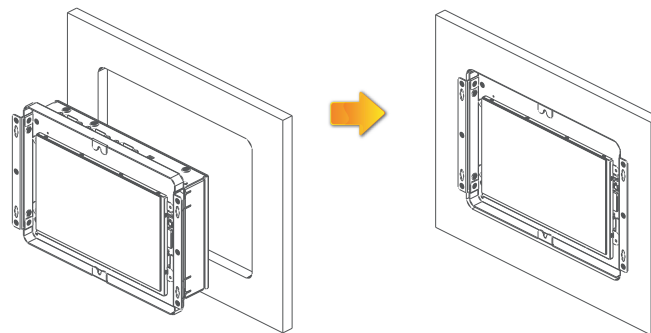
Standard



Suggested cut out size
(The flat panel thickness is less than 12mm)



Open Frame



► Ordering Information

Model Name	Part Number	Description
KS070P-BTWD24-E3845	750-KS0700-000G	7" Panel PC with Projected Capacitive Touch Screen, BT253, Intel Atom® E3845, 4GB Memory Onboard
KS070P-BTWD24-J1900	750-KS0700-100G	7" Panel PC with Projected Capacitive Touch Screen, BT253, Intel® Celeron® J1900, 2GB Memory Onboard
KS070P-BTWD24-E3845-OF	750-KS0700-200G	7" Open Frame Panel PC with Projected Capacitive Touch Screen, BT253, Intel Atom® E3845, 4GB Memory Onboard
KS070P-BTWD24-J1900-OF	750-KS0700-300G	7" Open Frame Panel PC with Projected Capacitive Touch Screen, BT253, Intel® Celeron® J1900, 2GB Memory Onboard

► Optional Items

Optional Items	Part Number	Description
HDD	785-H25500G	2.5" SATA HDD, 500GB, RoHS
	785-H25320G	2.5" SATA HDD, 320GB, RoHS
	785-S251TBG	2.5" SATA SSD, 1TB MLC, RoHS
	785-S25512G	2.5" SATA SSD, 512GB MLC, RoHS
	785-S25256G	2.5" SATA SSD, 256GB MLC, RoHS
	785-S25128G	2.5" SATA SSD, 128GB MLC, RoHS
	785-S25064G	2.5" SATA SSD, 64GB MLC, RoHS
	785-S25032G	2.5" SATA SSD, 32GB MLC, RoHS
mSATA	785-MS128GMF	mSATA Card, 128GB MLC, RoHS
	785-MS64GMF	mSATA Card, 64GB MLC, RoHS
	785-MS32GMF	mSATA Card, 32GB MLC, RoHS
	785-MS16GMF	mSATA Card, 16GB MLC, RoHS
	785-MS08GMF	mSATA Card, 8GB MLC, RoHS
	785-MS04GMF	mSATA Card, 4GB MLC, RoHS
Wi-Fi	761-110091-000G	Wi-Fi Kit, RoHS
Power Cord	785-PWRD	Power Cord, Standards (USA/EUR/CH), 1.8m, RoHS
Power Adapter	671-106011-000G	1POWER ADAPTER,60W,EA10681P-190,Input:100~240V,Output:19V/3.15A,113x49x35mm,L=1500mm,DC Cord 5.5*2.5mm,LV6,60950-1,EA10681P(20)(EDAC)RoHS
Panel Mount	761-KS0700-000G	Accessory Panel Mount Kits For KS070-BT, RoHS

785-XXX is a group number instead of a unique part number. Please contact your regional sales representative if you need more information.

► Packing List

• 1 KS070-BT Touch Panel PC
• 1 Poron foam
• 1 Quick Installation Guide