

W10L100-PCH2-POE

10.1" PoE Chassis Display



KEY FEATURES

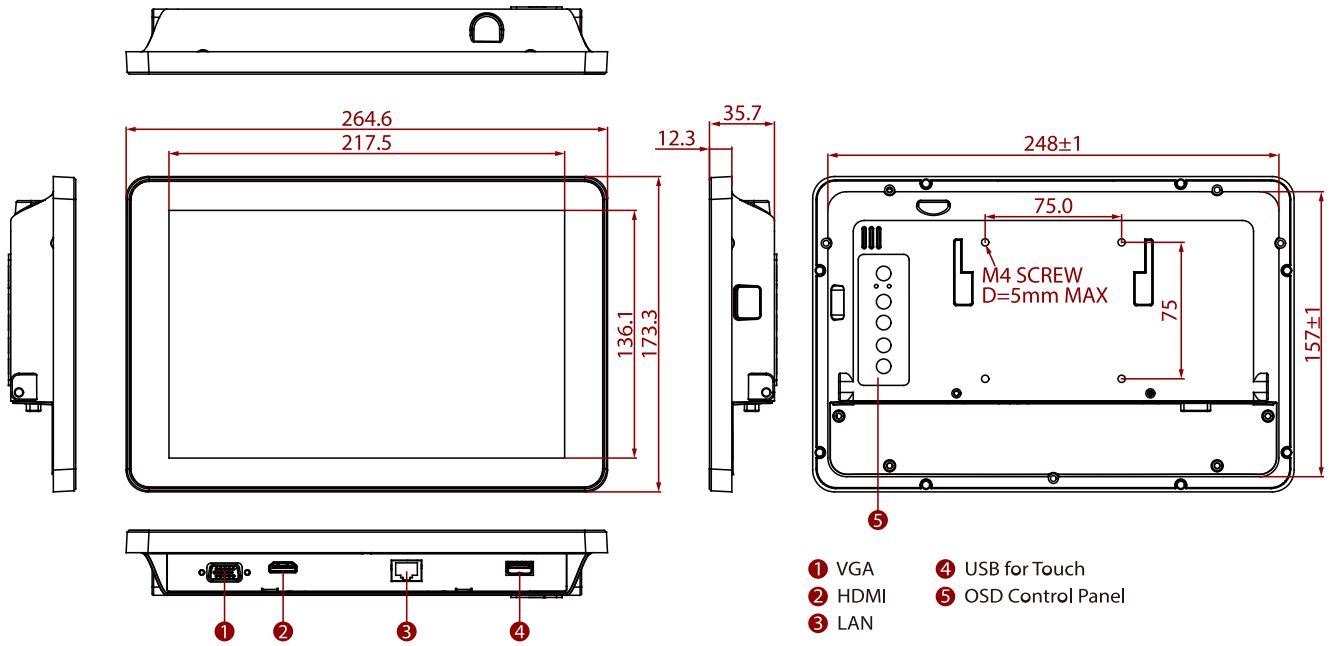
- 10.1" 1280 x 800 Resolution PoE Chassis Display
- Projected Capacitive Multi-Touch (P-Cap)
- VGA input and HDMI input
- USB port for touch
- Stylish and elegant design
- Supports PoE
- Front IP65



SPECIFICATIONS

Display	
Resolution	1280x800
Contrast Ratio	800:1
Display Color	16.7M Colors
Touch / Glass	Projected Capacitive Multi Touch Screen Protection Glass (Optional) Anti-glare Coating (Optional)
Size	10.1 inches
Panel Brightness	350 nits
View Angles	85,85,85,85
Environment	
Operating Humidity	10% to 90% (non-condensing)
Storage Temperature	-10~60°C
Operating Temperature	0~50°C
Certification	
Certification	CE, FCC
IO Ports	
USB Port	1 x USB for Touch Screen
Audio	1 x Speaker (Optional)
Video	1 x VGA 1 x HDMI (Optional)
LAN	1 x PoE for Power Input
Mechanical	
Dimension	264.57 x 173.29 x 35.7 mm
Enclosure	Aluminum
Mounting	VESA Mount/ Panel Mount
Cooling System	Fanless Design
Accessory	
Accessory	1 x USB Cable for Touch 1 x VGA Cable 1 x HDMI Cable
Power	
POE	Power Device (PD) follows IEEE 802.3at (25 W), IEEE 802.3af (15 W)
Control	
Button	5 Keys: -, +, Power, Esc, Enter

DIMENSIONS UNIT:MM



NOTE

1. This is a simplified drawing and some components are not marked in detail.
2. Please contact our sales representative if you need further product information.
3. All specifications are subject to change without prior notice.
4. The product shown in this datasheet is a standard model. For diagrams that contain customized or optional I/O, please contact the Winmate Sales Team for more information.