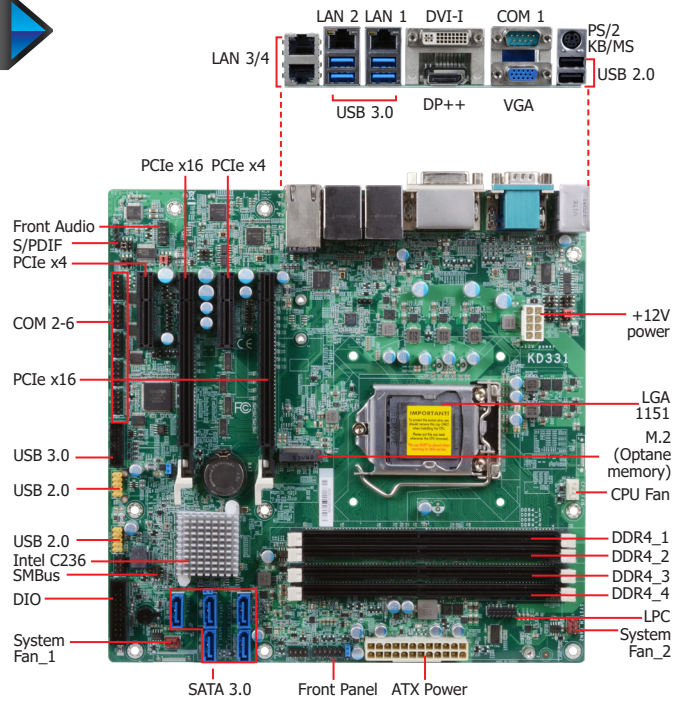


KD331-C236

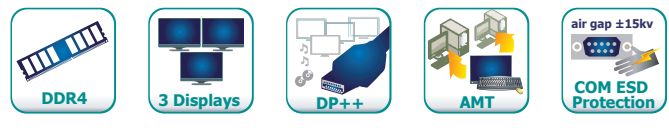
Workstation

C236



Features

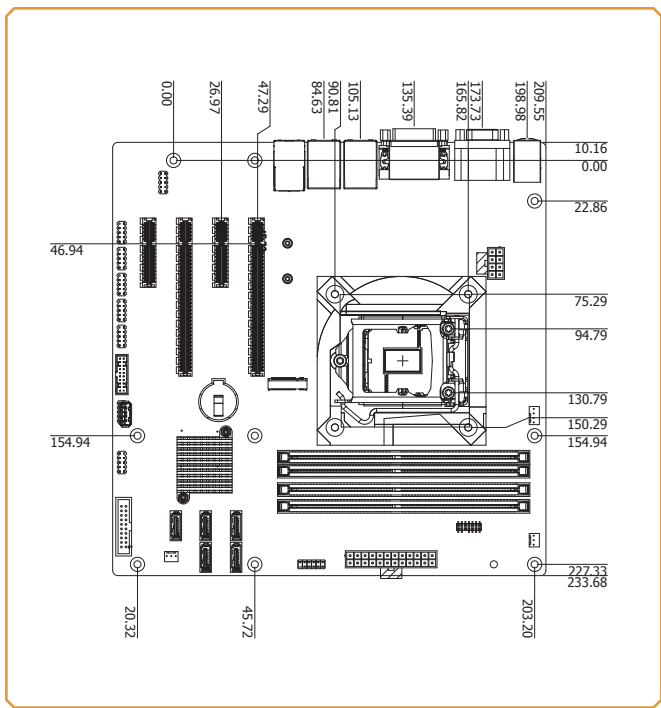
- 4 DDR4 ECC/Non-ECC DIMM up to 64GB
- Three independent displays: VGA + DVI-D + DP++
- DP++ resolution up to 4096x2106 @ 60Hz
- Multiple expansion:
2 PCIe x16 (1x16 or 2 x8 signal), 2 PCIe x4, 1 M.2, 1 LPC
- Rich I/O: 4 Intel GbE, 6 COM, 6 USB 3.0, 6 USB 2.0
- LPC EXT-RS232/485 module extends additional 4 COM ports



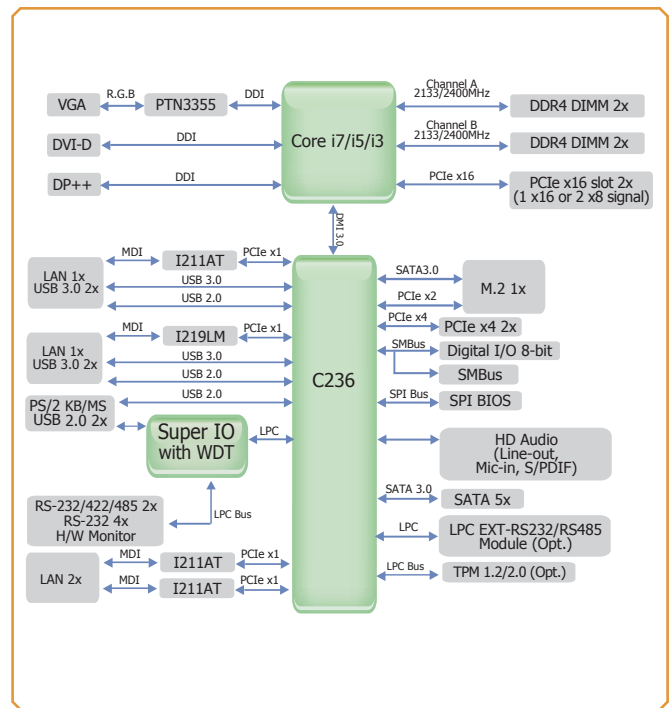
Ordering Information

Model Name	P/N	Memory	GbE	RS-232/422/485	RS-232	USB 3.0	USB 2.0	TPM	Power	Thermal	Temp.
KD331-C236IRM	770-KD3314-100G	4 ECC/Non-ECC DIMM	4	2	4	6	6	0	24-pin ATX	Active	0 to 60°C
KD331-C236IRM	770-KD3314-500G	4 ECC/Non-ECC DIMM	4	2	4	6	6	TPM 2.0	24-pin ATX	Active	0 to 60°C

Mechanical Drawing



Block Diagram



Specifications

SYSTEM	Processor	6th/7th Generation Intel® Xeon/Core™/Pentium®/Celeron® LGA 1151 Socket Processors with TDP up to 95W	
	Chipset	Intel® C236 Chipset	
	Memory	Four 288-pin ECC/Non-ECC DIMM up to 64GB	Dual Channel DDR4 2133/2400 MHz (Note: Core i5/i7 only support non-ECC)
	BIOS	Insyde SPI 128Mbit	
GRAPHICS	Controller	Intel® HD Gen 9 Graphics	
	Feature	OpenGL 5.0, DirectX 12, OpenCL 2.1 HW Decode: AVC/H.264, MPEG2, VC1/WMV9, JPEG/MJPEG, HEVC/H265, VP8, VP9 HW Encode: MPEG2, AVC/H264, JPEG, HEVC/H265, VP8, VP9	
	Display	1 x VGA 1 x DVI-I (DVI-I-D signal) 1 x DP++	VGA: resolution up to 1920x1200 @ 60Hz DVI-I: resolution up to 1920x1200 @ 60Hz DP++: resolution up to 4096x2106 @ 60Hz
	Triple Displays	VGA + DVI-I (DVI-D signal) + DP++	
EXPANSION	Interface	2 x PCIe x16 (1 x16 or 2 x8 signal) (Gen 3) 2 x PCIe x4 (Gen 3) 1 x M.2 2260/2280 M key (SATA3.0/PCIe Gen3 x2 NVMe) (Optane memory support)	
AUDIO	Audio Codec	Realtek ALC888S-VD2-GR	
ETHERNET	Controller	3 x Intel® I211AT PCIe (10/100/1000Mbps) 1 x Intel® I219LM PCIe with iAMT11.0 (10/100/1000Mbps) (Note: only Xeon E3/Core i5/i7 support iAMT)	
REAR I/O	Ethernet	4 x GbE (RJ-45)	
	USB	4 x USB 3.0 2 x USB 2.0	
	Serial	1 x RS-232/422/485 (RS-232 w/ power) (DB-9)	
	PS/2	1 x PS/2 (mini-DIN-6)	
	Display	1 x VGA 1 x DVI-I (DVI-D signal) 1 x DP++	
INTERNAL I/O	Serial	1 x RS-232/422/485 (RS-232 w/ power) (2.54mm pitch) 4 x RS-232 (2.54mm pitch)	
	USB	2 x USB 3.0 (2.00mm pitch) 4 x USB 2.0 (2.54mm pitch) or 2 x USB2.0 (2.54mm pitch) + 1 x Vertical USB 2.0 (opt., MOQ required)	
	Audio	1 x Front Audio Header 1 x S/PDIF	
	SATA	5 x SATA 3.0 (up to 6Gb/s)	RAID 0/1/5/10
	DIO	1 x 8-bit DIO	
	LPC	1 x LPC (supports LPC EXT-RS232/RS485 module)	
	SMBus	1 x SMBus	
	WATCHDOG TIMER	Output & Interval	System Reset, Programmable via Software from 1 to 255 Seconds
SECURITY	TPM	Infineon TPM2.0/1.2 (opt., MOQ required)	
POWER	Type	ATX	
	Connector	8-pin ATX 12V power	24-pin ATX power
	Consumption	Typical: i7-7700: 3.3V @ 0.4718A (1.55694W); 5V @ 0.5815A (2.9075W); 12V @ 0.3873A (4.6476W) Max.: i7-7700: 3.3V @ 0.4688A (1.54704W); 5V @ 0.6882A (3.441W); 12V @ 0.971A (116.52W)	
	RTC Battery	CR2032 Coin Cell	
OS SUPPORT		Windows 7 32/64-bit Windows 8.1 64-bit Windows 10 64-bit Linux Note: 7th Gen CPU SKU ONLY support Windows 10 64-bit & Linux.	
ENVIRONMENT	Temperature	Operating: 0 to 60°C	Storage: -30 to 60°C with RTC Battery -40 to 85°C without RTC Battery
	Humidity	Operating: 5 to 90% RH	Storage: 5 to 90% RH
	MTBF	377,129 hrs @ 25°C; 217,748 hrs @ 45°C ; 139,655 hrs @ 60°C Calculation Model: Telcordia Issue 2 Environment: GB, GC - Ground Benign, Controlled	
MECHANICAL	Dimensions	microATX form factor	244mm (9.6") x 244mm (9.6")
	Height	PCB: 1.6mm	Top Side: 38.5mm, Bottom Side: 4.4mm
CERTIFICATIONS		CE, FCC, RoHS, UL	

Packing List

• 1 KD331-C236 motherboard	
• 1 COM port cables (Length: 300mm, 2 x COM ports)	A81-015026-023G
• 1 Serial ATA data cable (Length: 500mm)	332-553001-005G
• 1 I/O shield	A49-KD3310-000G
• 1 M.2 standoff	A33-725019-090G
• 1 M.2 screw	A32-112016-041G

Optional Items

• USB 2.0 port cable (Length: 350mm)	A81-001066-016G
• USB 3.0 port cable (Length: 320mm)	A81-001052-023G
• D-SUB cable (w/Bracket, Length: 300mm, 2 x DB9)	A81-015026-023G
• Serial ATA data cable (w/Lock, Length: 500mm)	332-553001-005G
• Thermal solution (For 35W, Height: 37.3mm)	A71-103004-000G
• Thermal solution (For 65W, Height: 74.47mm)	A71-101158-000G
• Thermal solution (For 95W, Height: 77.2mm)	761-103001-000G
• LPC EXT-RS232 module (4 x RS232 ports)	770-EXTRS1-000G
• LPC EXT-RS485 module (4 x RS485 ports)	770-EXTRS1-100G
• DP to HDMI Dongle	612-D2H13M-000G