

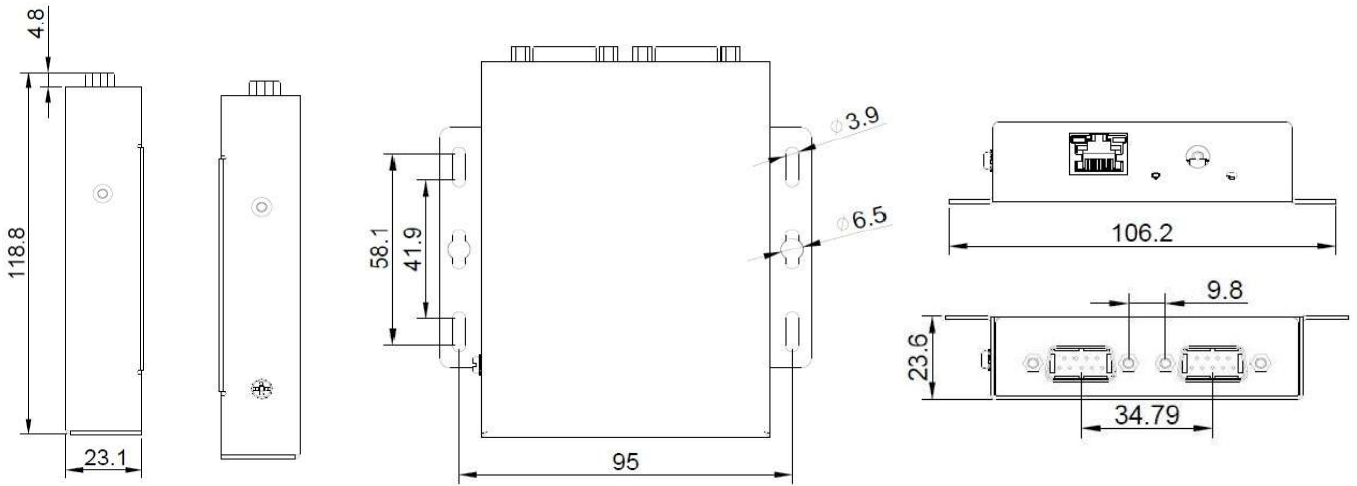
InnoEx-ETC22

LAN to 2x CANbus 2.0B



Features

- Expand I/O through virtualization technology
- Extend I/O via RJ45 Ethernet
- Simulate remote I/O on local computer
- Keep I/O behavior and data format. No change of I/O operation
- Support PoE connection compliant with IEEE 802.3at/af
- CAN bus 2.0B backward compatible with 2.0A
- Meet the Requirements of the ISO 11898-1
- Support CAN message acceptance filter
- Support Linux SocketCAN
- Supports -10 to +85 degrees
- Industrial design, manufactured in Innodisk Taiwan



Specifications

Network Connection	RJ45, 10/100/1000 GbE
Output I/F	CANbus 2.0B
Output Connector	DB9 x2
DC Input	DC Jack 12V/1A or PoE/PoE+
CAN Baud Rate	10/20/50/100/250/500/800/1000K
Dimension (WxLxH)	105 x 118 x 23 mm
Temperature	Operation: -10°C ~ +85°C Storage: -20°C ~ +90°C
Environment	Vibration: 5G @7~2000Hz, Shock: 50G @ 0.5ms
Notes	Windows: 10(32/64bit), 11(32/64bit) Linux: SocketCAN driver from Kernel 2.6.38 and above (32/64bit)

Order information

EA1-9NETC2201401

InnoEx ETC22 LAN to 2x CANbus 2.0B

Headquarters (Taiwan)

5F., No.237, Sec. 1, Datong Rd.,
Xizhi Dist., New Taipei City 221,
Taiwan

Tel: +886-2-7703-3000
Email: sales@innodisk.com

Branch Offices:

USA

usasales@innodisk.com
+1-510-770-9421

Europe

eusales@innodisk.com
+31-40-3045-400

Japan

jpsales@innodisk.com
+81-3-6667-0161

China

sales_cn@innodisk.com
+86-755-2167-3689

www.innodisk.com

© 2023 Innodisk Corporation.
All right reserved. Specifications
are subject to change without
prior notice.

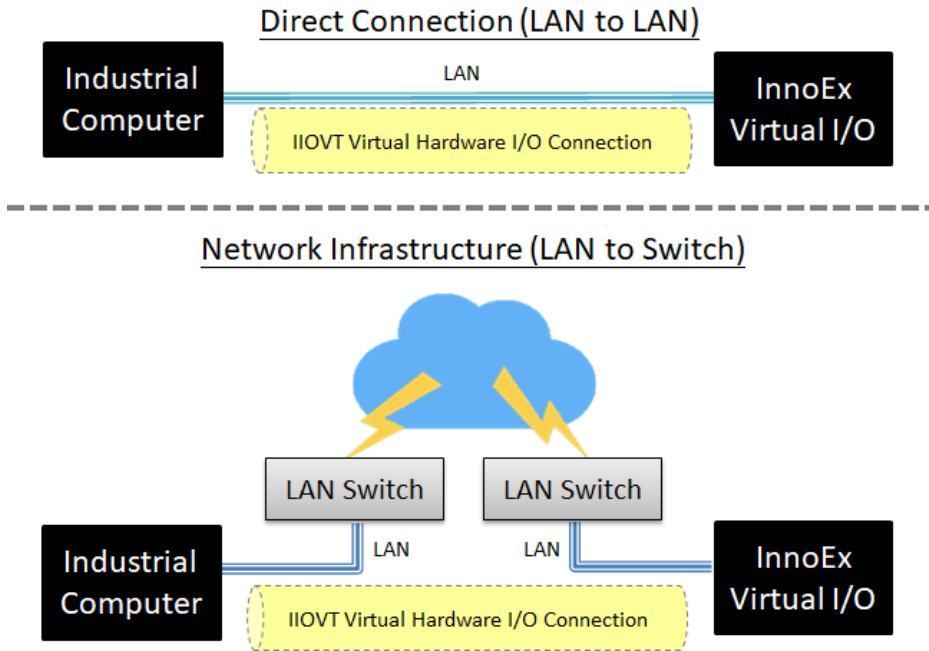
April 25, 2023

InnoEx-ETC22

LAN to 2x CANbus 2.0B

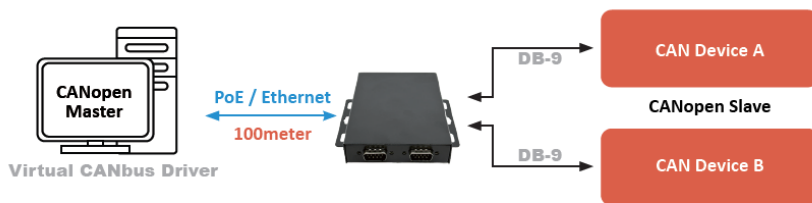
Industrial I/O Virtualization Technology (IIOVT)

InnoEx allows integrators to expand I/O ports, as well as extend their range up to 120m from LAN to LAN, or extend without limit through the internet via I/O virtualization. InnoEx connect devices act as if they are connected directly to the system itself, and always maintain their original device behavior. Simply install the InnoEx IIOVT driver onto the industrial computer and the InnoEx device via an Ethernet cable to get started



LAN to CANbus Application Architecture

P2P Connect Mode



Infrastructure Connect Mode

