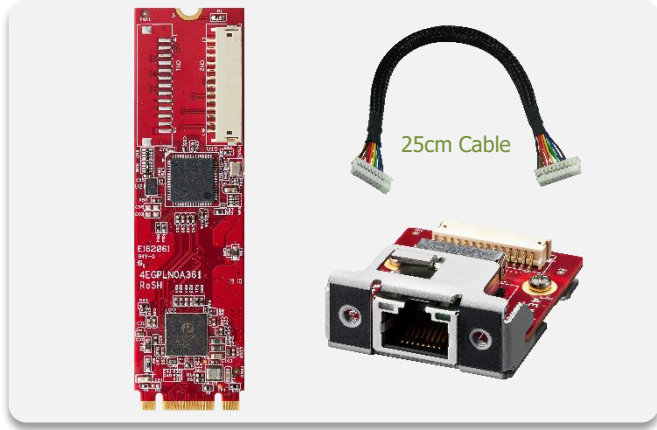


EGPL-G103 (Dell Edition)

M.2 2280 to single isolated GbE LAN horizontal module

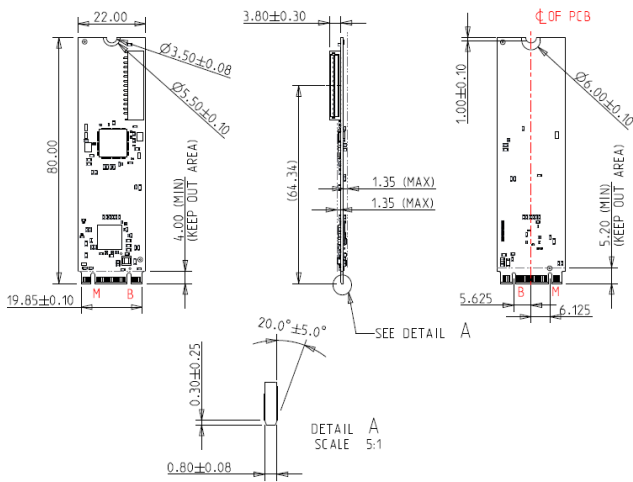


Features

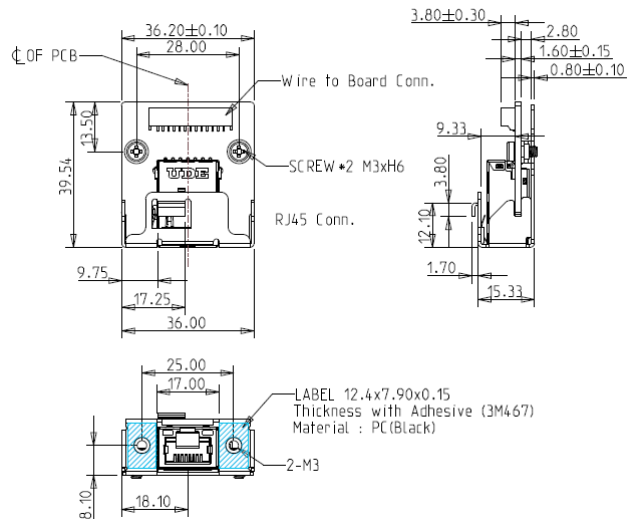
- Single isolated GbE LAN port
- Complies with EN61000-4-5 2kV surge protection
- Complies with IEC 60950-1:2005 + A1: 2009 + A2:2013 2kV HiPOT protection
- Complies with EN61000-4-2 (ESD) Air-15kV, Contact-8kV
- Flexible daughter board with cable to fit into different system
- Industrial temperature -40 °C to 85 °C
- 30μ" golden finger, 3-year warranty
- Industrial design, manufactured in Innodisk Taiwan

Mechanical Drawing

Main Board



Daughter Board



Specifications

Headquarters (Taiwan)
5F., No.237, Sec. 1, Datong Rd., Xizhi Dist., New Taipei City 221, Taiwan

Tel: +886-2-7703-3000
Email: sales@innodisk.com

Branch Offices:

USA
usasales@innodisk.com
+1-510-770-9421

Europe
esusales@innodisk.com
+31-40-3045-400

Japan
jpsales@innodisk.com
+81-3-6667-0161

China
sales_cn@innodisk.com
+86-755-2167-3689

www.innodisk.com

© 2021 Innodisk Corporation. All right reserved. Specifications are subject to change without prior notice.

November 26, 2022

Form-Factor	M.2 228 B-M
Input I/F	PCI Express 2.1 x 1
Output I/F	Single GbE LAN
Output Connector	RJ45 x 1
TDP	2.22W (3.3V x 675mA)
Dimension (WxLxH)	Main board: 22 x 80 x 5.95 mm Daughter board: 36 x 39.54 x 15.33mm
Temperature	Operation: STD: 0°C ~ +70°C Storage: -55°C ~ +95°C
Environment	Vibration: 5G @7~2000Hz, Shock: 50G @ 0.5ms
Notes	Please download driver from MyInnodisk website. Windows: XP(32bit), 7(32/64bit), 8/8.1(32/64 bit), 10(32/64bit) Linux: kernel 2.4 series, 2.6.x and 3.x version.

Order information

EGPL-G103-C2

M.2 2280 to single isolated GbE LAN horizontal module