

Datasheet

M.2 (S42)

3TEB series

- SATA III solution for industrial field
- High IOPS
- Low Power Consumption
- iSMART disk health monitoring
- iPower Guard for protecting unstable start up and shut down.
- iData Guard for abnormal power failure



Introduction

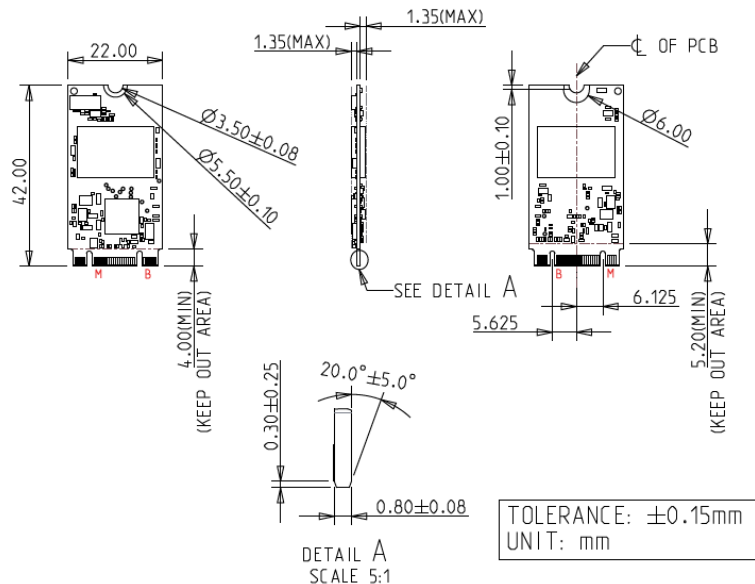
Innodisk M.2 (S42) 3TEB is SATA III 6.0 Gb/s flash based disk, which adopts latest SATA III NAND controller with Innodisk's exclusive L³ FW architecture. The upgraded L³ FW architecture, combining Innodisk signature 4K mapping algorithm L² FW architecture with powerful LDPC technology, makes 3TEB series have outstanding high IOPS, better data integrity and extended lifespan through reducing the bad block number happening. Built-in thermal sensor, and iData Guard ensure data integrity and reliability of M.2 (S42) 3TEB for industrial applications.

M.2 (S42) 3TEB series

Contact us for more information about the M.2 (S42) 3TEB.

Innodisk is a service-driven provider of industrial embedded flash and DRAM storage products and technologies, with a focus on the industrial/embedded, aerospace and defense, and cloud computing industries.

Diagram



Headquarters (Taiwan)

5F., No.237, Sec. 1, Datong Rd., Xizhi Dist., New Taipei City, Taiwan (R.O.C.)
Tel: +886-2-77033000
Email: sales@innodisk.com

Branch Offices:

USA
usasales@innodisk.com
+1-510-770-9421
Europe
eusales@innodisk.com
+31-40-3045-400
Japan
jpsales@innodisk.com
+81-3-6667-0161
China
sales_cn@innodisk.com
+86-755-21673689
www.innodisk.com

© 2021 Innodisk Corporation.
All right reserved. Specifications are subject to change without prior notice.

Specifications

Interface	SATA III
Flash Type	3D TLC
Capacity	128GB~1TB
Max. Channels	2
Sequential R/W (MB/sec, max.)*	550 / 510 MB/s
4KB Random (QD32) R/W (IOPS)	73,000/76,000
Max. Power Consumption	1.2W
Thermal Sensor	√
External DRAM Buffer	-
H/W Write Protect	-
ATA Security	√
S.M.A.R.T.	√
Dimension (WxLxH)	22.0 X 42.0 X 3.5 mm
Environment	Vibration: 20G @7~2000Hz Shock: 1500G @ 0.5ms Storage Temperature: -40°C ~ +85°C MTBF: 3 million hours
* Performance based on CrystalDiskMark 8.0.1 with file size 1000MB	

Ordering Information (Please refer to TPS for detail)

Operation Temp.	128GB	256GB	512GB	1TB
Standard Grade (0°C ~ +70°C)	DEM24-A28IC1KCADL	DEM24-B56IC1KCADL	DEM24-C12IC1KCADL	DEM24-01TIC1KCADL