

## Features

- Smallest design for Nvidia Jetson Nano Module
- Specifically designed for high performance and low-power envelope AI computing
- Extended temperature range -40°C to 85°C
- Suitable for general robotics, Drone, UAV, industrial inspection, medical imaging and deep learning

## Specifications

### Dimension

- 87.4 x 67.4mm

### Support Module

- Nvidia Jetson Nano Module (69.5 x 45mm)

### I/O Interface

- 1x HDMI Type A
- 1x RJ-45 for GbE
- 2x USB3.2 Gen1 Type A
- 1x USB2.0 Micro AB
- 1x Micro SD
- 1x FPC Camera connector(15pins/MIPI CSI 2Lanes)
- 1x FPC Camera connector(36pins/MIPI CSI 4Lanes)
- 1x Front Panel
- 1x RS-232 / 2 x UART / 1 x I2C / 5 x GPIO / 1x SPI
- 1x DC-in 12V (2 Pin Euroblock)
- 1x eDP (12V)
- 1x M.2 E key 2230

### Operating Temperature

- -40°C ~ +85°C (Board Standard temperature)

### Operating Humidity

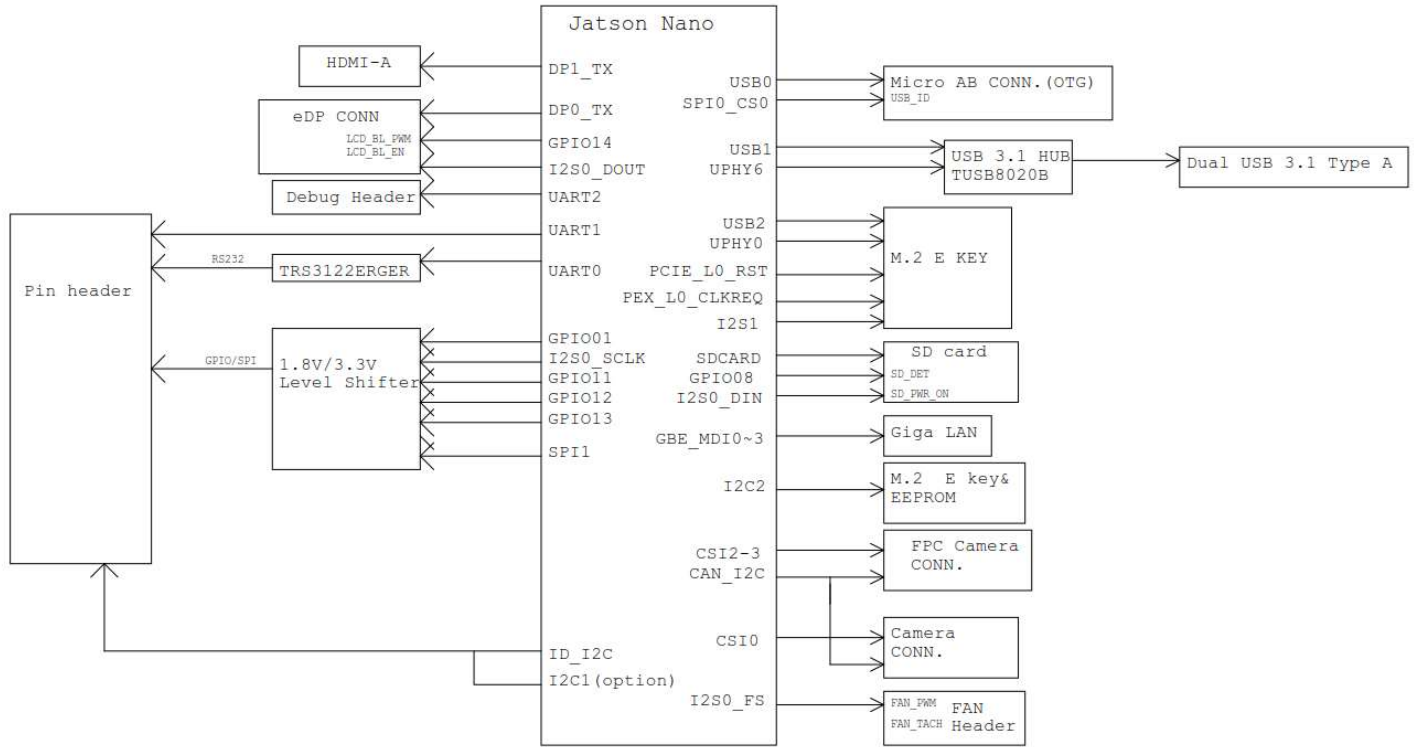
- 10% ~ 90%

### Storage Temperature

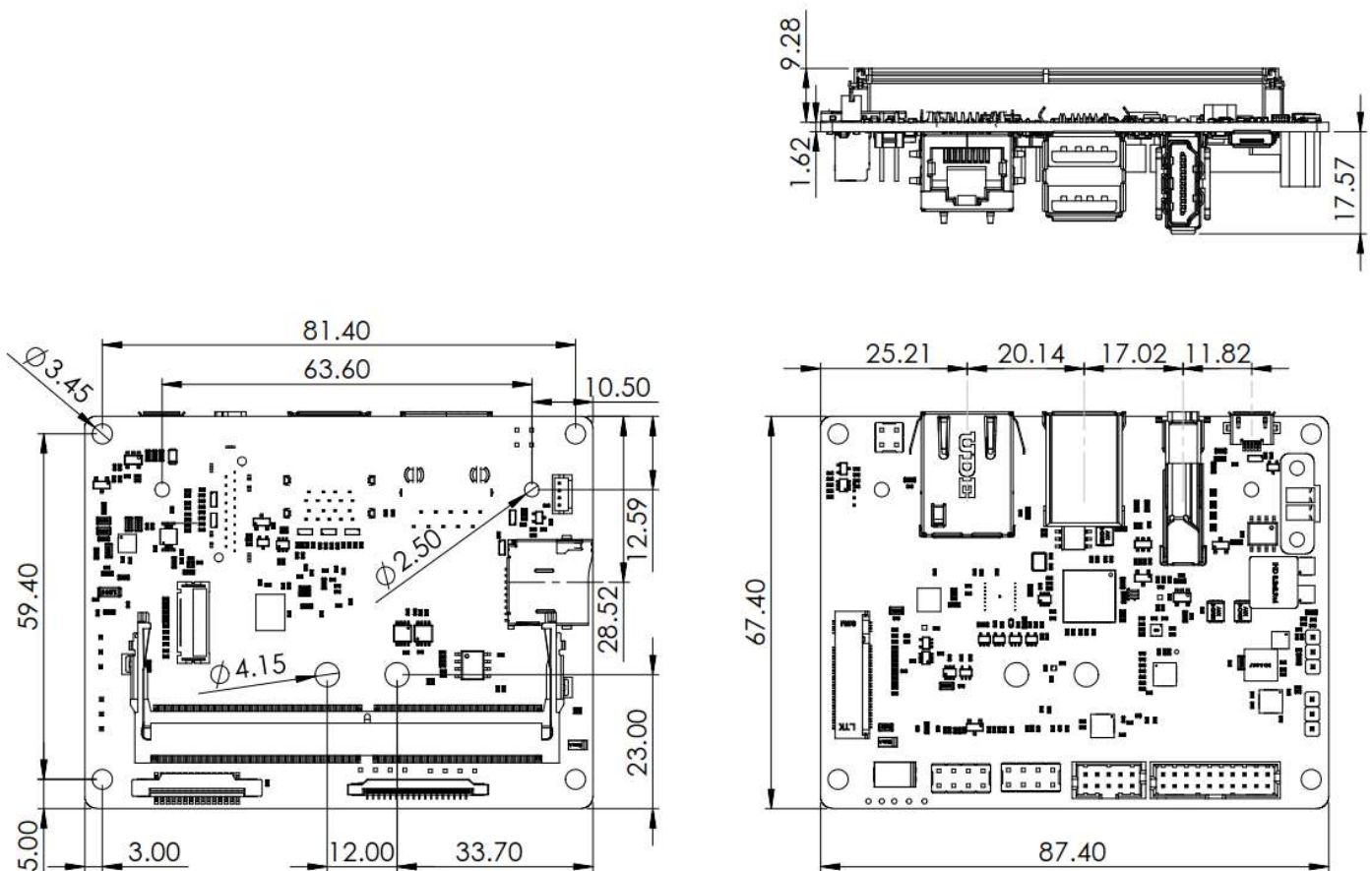
- -40°C ~ +85°C



## Block Diagram



## Mechanical



## Ordering Information

Product name	Description
AN110-STD-AN00	AN110 Carrier including I/O Cables, Standard temp -40°C to +85°C
AN110-NAO-FN01	AN110 Carrier + NANO Module including I/O Cables, Standard temp -25°C to +80°C
AN110-NAO-EN02	AN110 + NANO Module + Heatsink + I/O Cables + Power Adapter + US Power Cord -20°C to +55°C
AN110-NAO-EN03	AN110 + NANO Module + Heatsink + I/O Cables + Power Adapter + EU Power Cord -20°C to +55°C

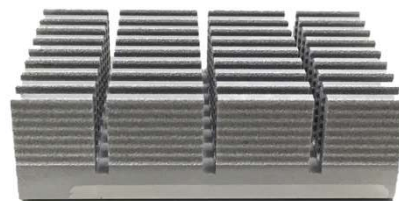
## Accessory (Optional)

Product name	Description
7W8000000040	US Power Cord SVT 18AWG Cable 1800mm Black 105 °C
7W8000000050	EU Power Cord H05VV-F 0.75mm2/3G SL-6+SL-3 Cable 1800mm Black
9Z3BC0000020	100-240V 60W 12V 5A Adapter
9Z2XX3314010	Passive Heat Sink
E9Z1253232030	FAN-Sink

12V/5A 60W Adapter



Passive Heat Sink



FAN-Sink

