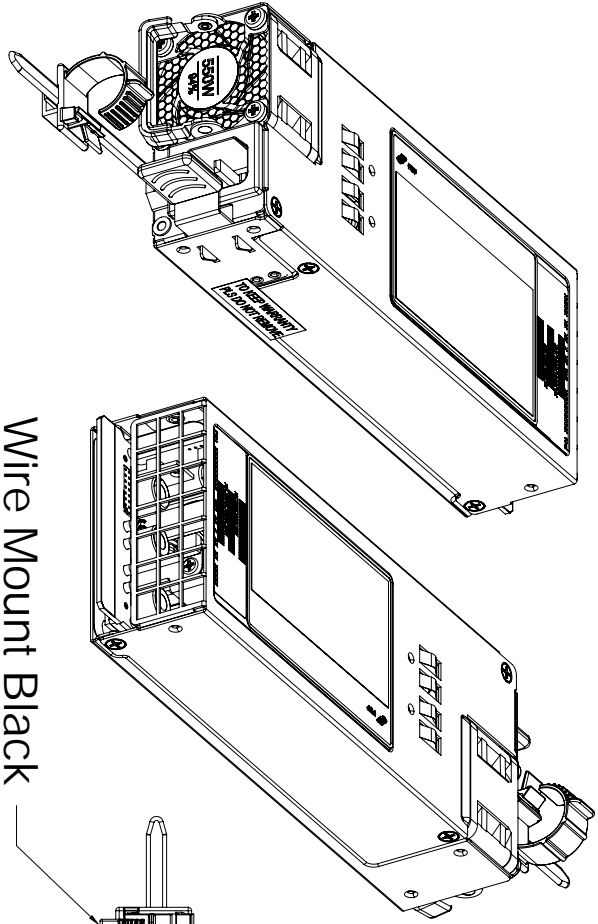


# 外觀圖



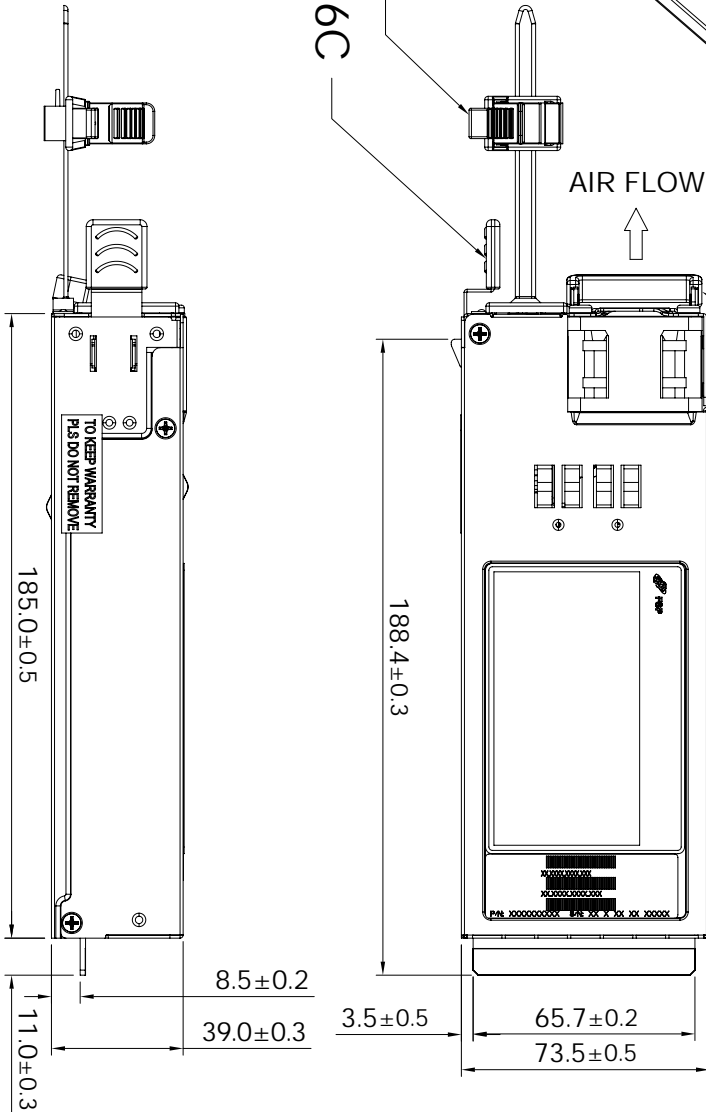
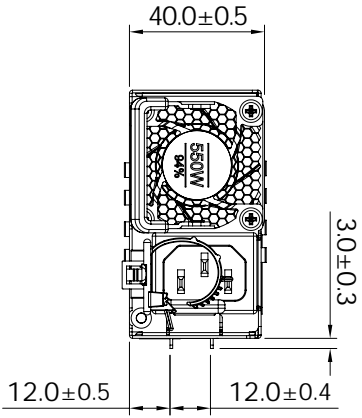
OAD-00002732

FSP550-20FM(STD0001)



Wire Mount Black  
Pantone 2766C

Pantone Hexachrome Black C



P/N.:9PA5508600

MODEL NO.:FSP950-20FM(STD0001)		TITLE:ASSY		SHEET:1OF1	REV:01
RD12	PE	DRAWN	Webb	DATE	NOV.23.2018

Note:  
黑色塑膠線扣出貨時,不須組裝,依生產注意事項放入指定包材位置.