

W22IT7T-PTA3-ME

21.5" Intel® Core™ i5-1135G7 Healthcare Panel PC



KEY FEATURES

- Intel® Core™ i51135G7 2.4 GHz (turbo to 4.2GHz) Processor
- Projected Capacitive Multitouch
- Fanless cooling system and ultralow power consumption
- Front IP65 for protection against water and dust
- A true flat, easytoclean front surface with edgetoedge design
- Housing with antimicrobial properties



SPECIFICATIONS

Display			
Resolution	1920x1080	Size	21.5 inches
Contrast Ratio	3000:1	Panel Brightness	250.0 nits
View Angles	89,89,89,89	Active Area	476.64x268.11 mm
Touch / Glass	Projected Capacitive Multi Touch Screen Protection Glass (Optional)		
System Specification			
WLAN	Support (Optional)	BT	Support (Optional)
Processor	Intel Core i5-1135G7 2.4GHz (up to 4.2GHz)	Memory	1 x SO-DIMM, DDR4 3200 MHz, 4GB 8GB (Optional) 16GB (Optional) 32GB (Optional) 2 x SO-DIMM, DDR4 3200 MHz, 4GB (Optional) 8GB (Optional) 16GB (Optional) 32GB (Optional) 64GB (Optional)
Storage	1 x M.2 M-Key 2280 NVMe SSD 128GB 256GB (Optional) 512GB (Optional) 1TB (Optional) 2TB (Optional) 4TB (Optional) 1 x SATA III for 2.5" SSD/HDD up to 2TB (Optional)	Ethernet controller	2 x Intel® Ethernet Controller
Security	TPM 2.0	Operating System	Windows 11 IoT Enterprise (64 bit) (Optional) Windows 11 Pro 64 bit (Optional) Windows 10 IoT Enterprise (64 bit) (Optional) Linux Ubuntu 22.04 (Optional)
Mechanical			
Dimension	530 x 322 x 56 mm	Mounting	VESA Mount
Enclosure	Plastic	Cooling System	Fanless Design
Environment			
Operating Humidity	10% to 90% RH, Non-Condensing	Operating Temperature	0°C to 50°C
Storage Temperature	-10°C to 60°C	IP rating	Front IP65
Certification			

Certification	IEC/EN 60601-1 IEC 60601-1-2:2014/AMD:2020 IEC60601-1-6 +IEC62366 EN 60601-1-2:2015/A1:2021 EN55032/35, FCC Part15B, ICE-003 ISO14971 RoHS-2, REACH, WEEE compliant
----------------------	---

IO Ports			
USB Port	4 x USB3.2 Gen2x1 (Type-A)	Serial Port	1 x Isolation RS232 (Optional)
Video	1 x DP1.4 1 x HDMI 2.0 (Optional)	Audio	1 x Mic in 1 x Line out 2 x Speaker
Expansion Port	1 x M.2 2242/2280 Key M slot for SATA/NVMe SSD 1 x M.2 2230 Key E slot for WLAN (Optional)	LAN	2 x Giga LAN RJ45 Connector
Indicator	1 x LED Indicator for power 1 x LED Indicator for storage		

Control	
Button	1 x Power Button 1 x Reset Button

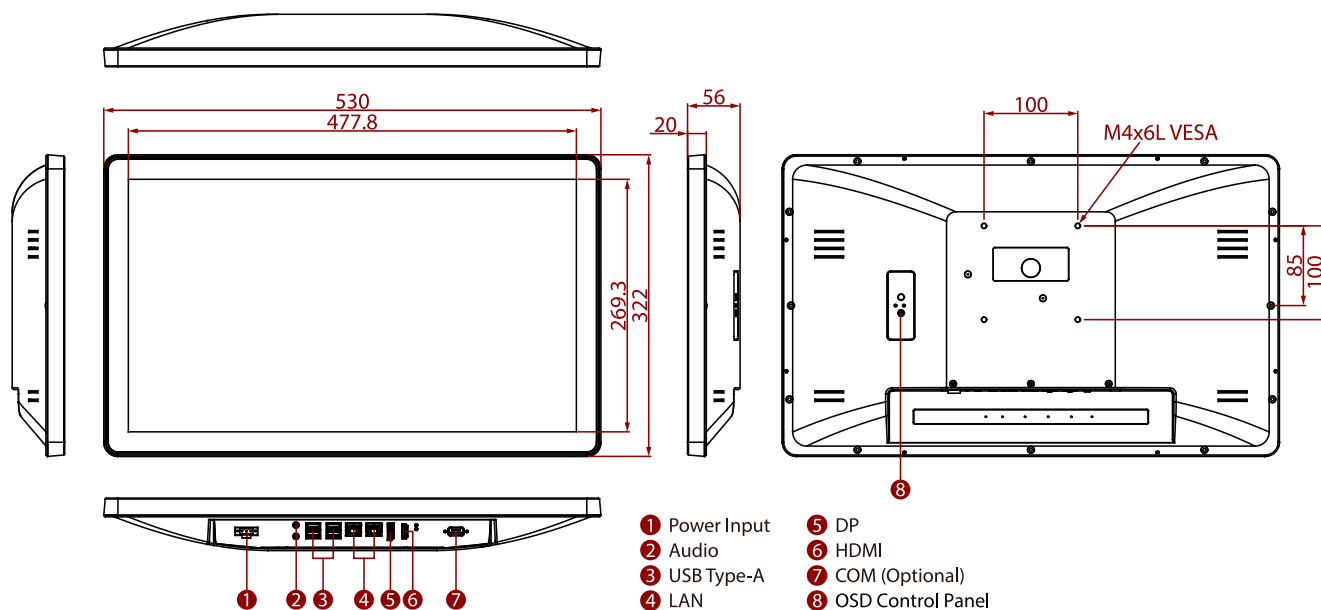
Accessory

Accessory	100~240V AC to DC Adapter Power Cord VESA screws
------------------	--

Power

Power Rating	24V DC in with Terminal block	Adapter	24V 150W
---------------------	-------------------------------	----------------	----------

DIMENSIONS UNIT:MM



NOTE

- 1.This is a simplified drawing and some components are not marked in detail.
- 2.Please contact our sales representative if you need further product information.
- 3.All specifications are subject to change without prior notice.
- 4.The product shown in this datasheet is a standard model.For diagrams that contain customized or optional I/ O, please contact the Winmate Sales Team for more information.