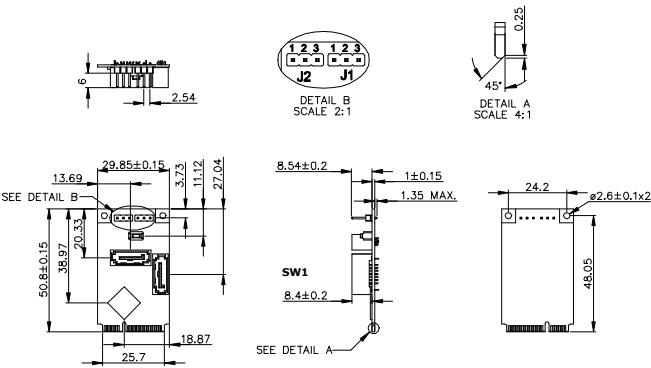
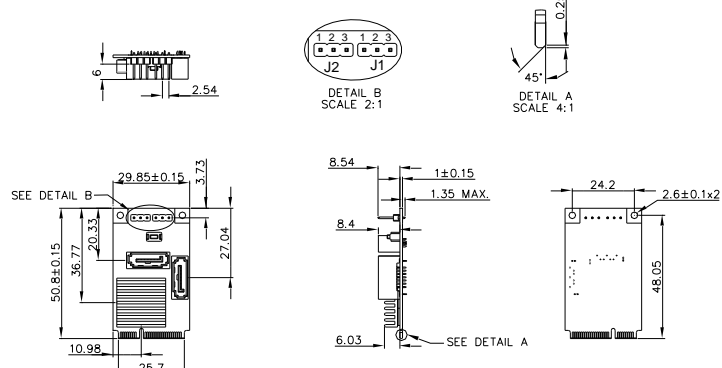


SATA 7pin MALE

Features

- Supports mSATA to dual SATA III by Port Multiplier.
- Supports H/W RAID 0/1 over SATA.
- Optional Industrial Temperature (-40°C to +85°C) support.
- 30μ golden finger, 3 years warranty.
- Industrial design, manufactured in innodisk Taiwan

Mechanical Drawing**Standard Temp****Wide Temp**

TOLERANCE: ±0.20mm

Specifications**Headquarters (Taiwan)**

5F., No. 237, Sec. 1, Datong Rd.,
Xizhi Dist., New Taipei City 221,
Taiwan
Tel: +886-2-77033000
Email: sales@innodisk.com

Branch Offices:**USA**

usasales@innodisk.com
+1-510-770-9421

Europe

eusales@innodisk.com
+31-040-282-1818

Japan

jpsales@innodisk.com
+81-3-6667-0161

China

sales_cn@innodisk.com
+86-755-21673689

www.innodisk.com

© 2014 Innodisk Corporation.
All right reserved. Specifications
are subject to change without
prior notice.

November 23, 2015

Form-Factor	mSATA
Input I/F	SATA III
Output I/F	SATA III
Output Connector	SATA 7pin x 2
TDP	1.65W (3.3V x 498mA)
Dimension (WxLxH)	29.85 x 50.8 x 10.8 mm, Weight: 7g
Temperature	Operation: STD: 0°C ~ +70°C WT: -40°C ~ +85°C Storage: -55°C ~ +95°C
Environment	Vibration: 5G @7~2000Hz, Shock: 50G @ 0.5ms
Notes	1. RAID Mode Setting: [J2:J1] RAID0: 12:23, RAID1: 12:12, PM: 23:12 2. Press tact switch SW1 for reset.

Order information**EMSS-32R1-C1 (Standard Temp.)****EMSS-32R1-W1 (Wide Temp.)**

mSATA to Dual SATA3 RAID Module