

### Features

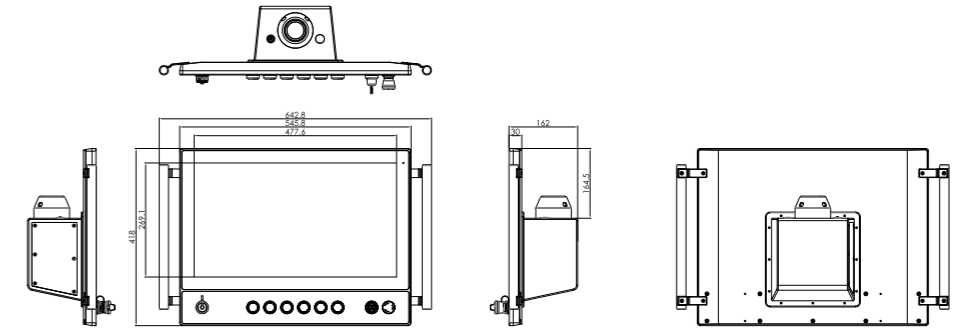
- 21.5" Full HD TFT LED LCD
- Intel 11th Gen. (Tiger Lake-UP3) Processors
- Support Projected Capacitive Touch
- Built-in RAFI FS22+ Functional Buttons for Intuitive Operation
- Top/Bottom Swing Arm Mounting
- IP65 Full Sealed with Anti-Corrosion Enclosure
- Gap free Sealing and Slim Front Frame Architecture at Front Bezel
- DC 9~36V Wide Range Power Input

### Specifications

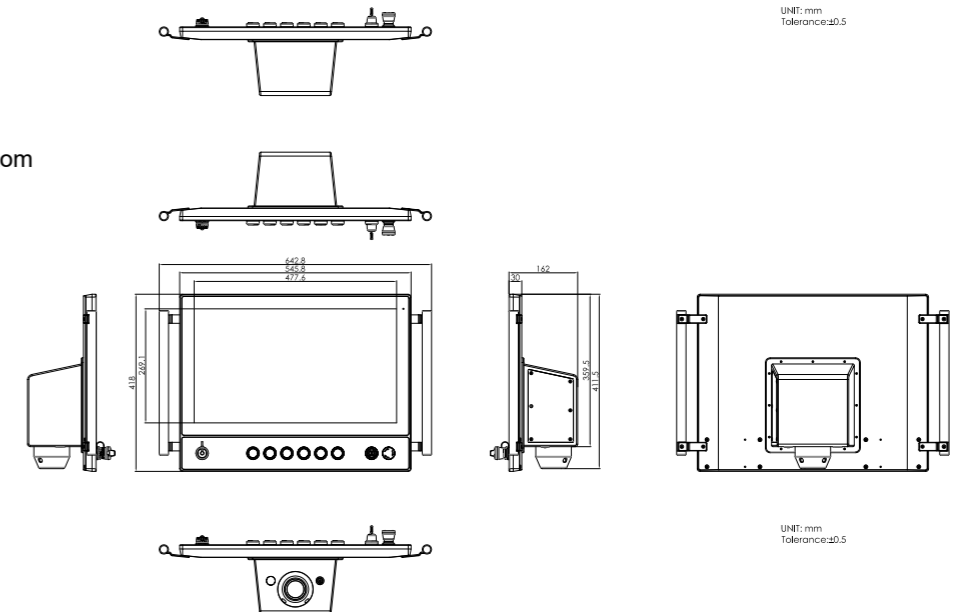
| System                         |   |
|--------------------------------|---|
| CPU                            | Intel 11th Gen. (Tiger Lake-UP3) Processors<br>i3-1115G4E (2C, 2.2GHz), Default<br>i5-1145G7E (4C, 1.5GHz), Option                                      |
| System Chipset                 | SoC   |
| Memory                         | 2 x DDR4-3200MHz SO-DIMM slot, up to 64GB   |
| TPM                            | TPM 2.0   |
| I/O Port                       |   |
| USB                            | 4 x USB 3.2 Type-A  |
| Serial / Parallel              | 1 x COM1 (RS-232/422/485) (optional)<br>1 x COM2 (RS-232/422/485, supports 5V/12V/RI) (optional)  |
| Audio                          | Line-in/ Line-out/ MIC (optional)   |
| Graph                          | Intel UHD Graphics  |
| LAN                            | 1 x Intel i219LM, RJ45 GbE LAN<br>1 x Intel i225LM, RJ45 2.5GbE LAN   |
| Digital I/O                    | 8 bit GPIO (optional)   |
| Power                          | 1 x 3-pin Phoenix Connector for DC power  |
| Front I/O and Buttons          |   |
| Functional Buttons             | 1 x Emergency Button (default)<br>Default: 1 x BLUE (reset) / 1 x RED (stop) / 1 x GREEN (start)<br>Optional: 3 x BLACK (self-defined) / 1 x Key Switch |
| USB                            | 1 x USB 2.0 Type-A  |
| Storage Space                  |   |
| HDD/SSD                        | 1 x M.2 2280 M-key (PCIe x4) slot for PCIe/NVMe SSD   |
| Expansion                      |   |
| On board expansion bus         | 1 x Full size mSATA/mPCIe slot (mSATA as default, select by BIOS)<br>1 x M.2 2230 E-key slot for Wi-Fi/BT Module<br>1 x Nano SIM card                   |
| Display                        |   |
| Display Type                   | 21.5" TFT-LCD   |
| Max. Resolution                | 1920 x 1080   |
| Max. Color                     | 16.7M   |
| Luminance (cd/m <sup>2</sup> ) | 250   |
| View Angle                     | 178(H)/178(V)   |
| Contrast                       | 1000:1  |
| Backlight Lifetime             | 50,000 hrs  |
| Touch Screen                   |   |
| Type                           | Projected Capacitive Touch  |
| Interface                      | USB   |
| Light Transmission(%)          | over 90%  |

### Dimensions

Swing Arm Top



Swing Arm Bottom



| Power                                  |   |
|--|---|
| Power Input                            | DC 9~36V  |
| Power Consumption                      | MAX: 44W  |
| Mechanical                             |   |
| Construction                           | Front Bezel: Aluminum CNC<br>Rear Housing: Stainless 316L   |
| Mounting                               | Swing Arm support Rittal CP-40  |
| IP Rating                              | Full IP65   |
| Dimensions                             | 545.80 x 418 x 162mm  |
| Net Weight                             | 17.5 kg   |
| Environmental                          |   |
| Operating Temperature                  | 0~50°C  |
| Storage Temperature                    | -30~70°C  |
| Humidity                               | 10 to 90% @ 40°C, non-condensing  |
| Certificate                            | Meet CE/FCC Class A / UKCA  |
| Operating System Support               |   |
| Windows 10 IoT, Windows 11 IoT, Ubuntu |   |
| Ordering Information                   |   |
| ABOS-921CP with Swing Arm Kit          | 21.5" FHD IP65 Aluminum panel pc, Intel 11th Gen. Core i3-1115G4E CPU, 2 x DDR4 slot, 128G TLC SSD/M.2 2280, projected capacitive touch, 9~36V DC power without Adapter<br>*Functional Buttons: 1 x Emergency button, 1 x Green button, 1 x Red button, 1 x Blue button, 1 x USB 2.0 (front)<br>*Back Cover stainless steel 316L support Swing Arm + Rittal CP 40 |