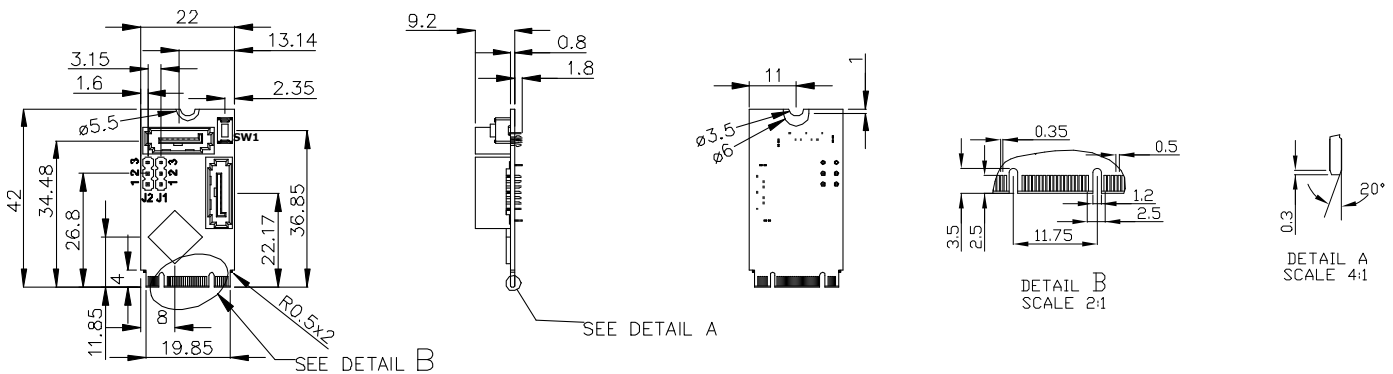
**Features**

- Supports SATA to dual SATA III Port Multiplier.
- Supports H/W RAID 0/1 over SATA.
- 30 μ golden finger, 3 years warranty.
- Industrial design, manufactured in innodisk Taiwan

Mechanical Drawing**Specifications****Headquarters (Taiwan)**

5F., No. 237, Sec. 1, Datong Rd.,
Xizhi Dist., New Taipei City 221,
Taiwan
Tel: +886-2-77033000
Email: sales@innodisk.com

Branch Offices:**USA**

usasales@innodisk.com
+1-510-770-9421

Europe

eusales@innodisk.com
+31-040-282-1818

Japan

jpsales@innodisk.com
+81-45-594-7581

China

sales_cn@innodisk.com
+86-755-21673689

www.innodisk.com

© 2014 Innodisk Corporation.
All right reserved. Specifications
are subject to change without
prior notice.

June 26, 2015

Form-Factor	M.2 2242-B-M
Input I/F	SATA III
Output I/F	SATA III
Output Connector	SATA 7pin x 2
Bridge	JMS562
TDP	1.65W (3.3V x 498mA)
Dimension (WxLxH)	22 x 42 x 11mm, Weight: 5.5g
Temperature	Operation: STD: 0°C ~ +70°C Storage: -55°C ~ +95°C
Environment	Vibration: 5G @7~2000Hz, Shock: 50G @ 0.5ms
Notes	1. RAID Mode Setting: [J2:J1] RAID0: 23:23, RAID1: 23:12, PM: 12:12 2. Press tact switch SW1 for reset.

RAID Mode Setting

	J1	J2
RAID 0	23	23
RAID 1	12	23
Port Multiplier	12	12

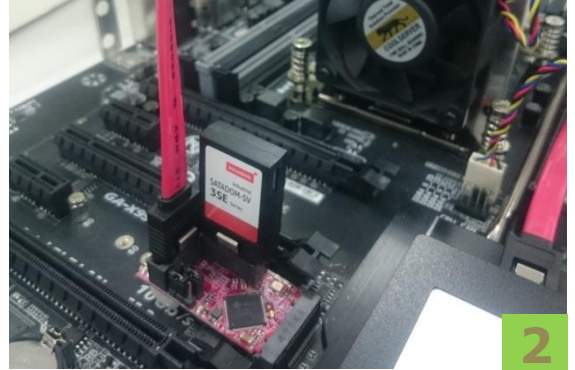
LED Assignment

Red	Power
Green	Access
Blue	Error
Green + Blue	Rebuild

Installation Guide



Please connect EGSS-32R1 to onboard M.2 slot.



Please connect SSD in EGSS-32R1 SATA slot.



Please use jumper J1/J2 to change RAID mode as above setting list.



Please push tact switch 3 seconds for reset.