

# EXOU-X261

## FPGA Machine Vision Solution Kit



### Features

- AMD Kria K26 SOM featuring low latency and high-performance DPU
- Provides up to 1.4TOPS AI processing power
- Support PCIe M.2 2230 / 2242 slot for Storage and Peripherals
- Support Innodisk iCAP Cloud Platform for remote management
- Support InnoAgent to support out-of-band (OOB) remote management
- Prebuilt Hardware Acceleration with BSP / Pre-trained AI Models
- Complies with EN61000-4-2 (ESD) Air-15kV, Contact-8kV
- Industrial design, manufactured in innodisk Taiwan, 3-year warranty

### Specifications

Product Name	EXOU-X261
Form Factor	SOM and Carrier Board
Controller	Kria K26 SOM
Memory	4GB DDR4 on board
Storage	16GB eMMC on board
Dimension(LxWxH)	142.02 x 104 x 70 mm
Display Interface	1x HDMI 1.4
Ethernet	1x RJ45 GbE LAN
I/O	4x USB 3.2 Gen1 1x 15pin terminal block (GPIOx5, UARTx1, CANbus x2, I2C x1) 1x MicroSD 1x USB Type-C (Debug Only) Power Button Reset Button
Expansion	M.2 2230 E-Key (PCIe Gen2 x1, USB 2.0) M.2 2242 M-Key (PCIe Gen3 x4)
Indicator	Green Color Power LED
Power Requirement	12V +/-5% DC Power supply
Power Consumption	Approximate 17.64W (12V, 1.47A)
Temperature	Operation: Standard Temp: 0°C ~ 50°C Storage: -40°C ~ 75°C
Storage Humidity	5% to 95%, non-condensing
OS Support	Linux (Kernel 5.15.19)
Certification	CE/FCC class A
Vibration During Operation	3G, IEC 60068-2-64, random vibration, 5~500Hz, 1hr/axis
Shock During Operation	30G, IEC 60068-2-27, half sine, 11ms duration

#### Headquarters (Taiwan)

5F., No.237, Sec. 1, Datong Rd.,  
Xizhi Dist., New Taipei City 221,  
Taiwan

Tel: +886-2-7703-3000  
Email: sales@innodisk.com

#### Branch Offices:

##### USA

[usasales@innodisk.com](mailto:usasales@innodisk.com)  
+1-510-770-9421

##### Europe

[esusales@innodisk.com](mailto:esusales@innodisk.com)  
+31-40-3045-400

##### Japan

[jpsales@innodisk.com](mailto:jpsales@innodisk.com)  
+81-3-6667-0161

##### China

[sales\\_cn@innodisk.com](mailto:sales_cn@innodisk.com)  
+86-755-2167-3689

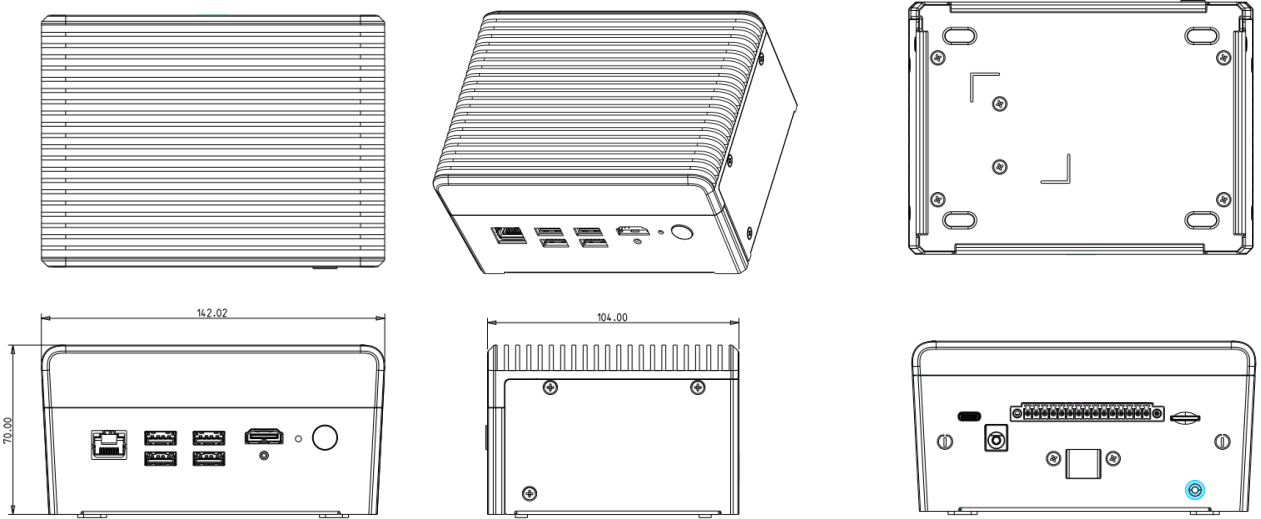
#### [www.innodisk.com](http://www.innodisk.com)

© 2023 Innodisk Corporation.  
All right reserved. Specifications  
are subject to change without  
prior notice.

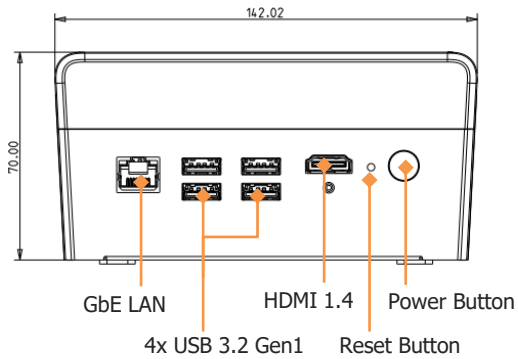
January 17, 2024

# EXOU-X261 FPGA Machine Vision Solution Kit

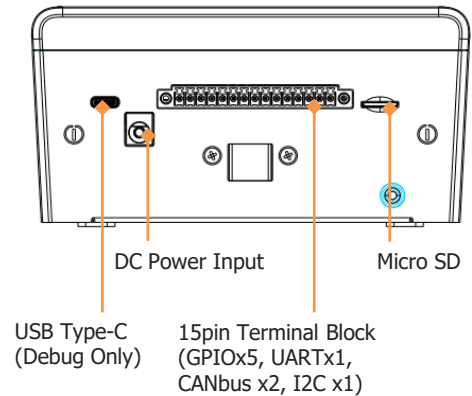
## Dimension (mm)



## Front View



## Back View



## Order information

### EXOU-X261-00A1-C1

EXOU-X261 FPGA Machine Vision Solution Kit

## Packing List

- EXOU-X261 x1
- 12V DC Power Adapter (60W) x1
- Power cord with US plug, 1.8m x1
- Debug Board x 1
- USB Type A to Mini USB Cable, 25cm x1
- USB Type C to Type C Cable (Debug board only), 25cm x1

## Optional Accessories

- **EZ2N-0XL1-W1** (InnoAgent Out-of-Band Remote Management Module)