

M101AD

10.1" Rugged Windows Tablet

Intel® Core i5-1235U Alder Lake Processor



Quick Start Guide



Advisory Conventions

Four advisories are used throughout the user manual to provide helpful information or alert you to the potential for hardware damage or personal injury. These are Notes, Important, Cautions, and Warnings. The following is an example of each type of advisory.

**Note:**

A note is used to emphasize helpful information

**Important:**

An important note indicates information that is important for you to know.



Caution A Caution alert indicates potential damage to hardware and explains how to avoid the potential problem.

Attention Une alerte d'attention indique un dommage possible à l'équipement et explique comment éviter le problème potentiel.



Warning! An Electrical Shock Warning indicates the potential harm from electrical hazards and how to avoid the potential problem.

Avertissement! Un Avertissement de Choc Électrique indique le potentiel de choc sur des emplacements électriques et comment éviter ces problèmes.

Safety Information



General Product Safety *Sécurité générale des produits*

- Do not block any ventilation openings. Do not place the product against a wall or in an enclosed space, as doing so might impede cooling airflow.
 - *[FR] Ne pas bloquer les ouvertures de ventilation. Ne pas placer le produit contre un mur ou dans un espace clos de façon à entraver la circulation de l'air de refroidissement.*
- Do not place the product near any heat sources such as radiators, warm air intakes, stoves, or other heat-generating devices (including amplifiers or other heat-producing equipment).
 - *[FR] Ne pas placer le produit près d'une source de chaleur comme des radiateurs, les arrivées d'air chaud, poêles ou autres produits générant de la chaleur (y compris les amplificateurs ou autre équipement produisant de la chaleur.)*
- Protect the power cord from being crushed or pinched, particularly in the area of the plugs, any receptacles used, and the point of exit from the apparatus. Do not break off the ground pin of the power cord.
 - *[FR] Empêcher le cordon d'alimentation d'être écrasé ou pincé, en particulier dans les zones de prises, des containers utilisés, et du point de sortie de l'appareil. Ne pas casser la broche de terre du cordon d'alimentation.*
- Do not disregard the safety that a polarized or grounded connection can provide. A polarized connection consists of two plugs, one of which is larger than the other. A grounded connection has two blades and a third one that is grounded. If the main plug provided cannot be inserted into your outlet, consult an electrician to replace your obsolete outlet.
 - *[FR] Ne pas ignorer la sécurité qu'une prise polarisée ou une prise de terre peut prévoir. Une prise polarisée se compose de deux fiches, dont l'une est plus large que l'autre. Une prise de terre possède deux lames et une troisième qui est la terre. Si la fiche principale fournie ne peut être insérée dans votre prise, consultez un électricien pour remplacer votre prise obsolète.*
- Use only accessories specified by the manufacturer.
 - *[FR] Utiliser uniquement les accessoires spécifiés par le fabricant.*

- This product should not be used near water such as bathtubs, sinks, swimming pools, wet basement, etc.
- *[FR] Ce produit ne doit pas être utilisé près de l'eau comme les baignoires, les éviers, les piscines, les sous-sols humides, etc.*

- Use only with its transport carriage, stand, tripod, console, or table specified by the manufacturer or sold with the product. When using a carriage, move the carriage assembly with the product carefully to avoid damage from falling over.
- *[FR] Utiliser uniquement avec son chariot de transport, support, trépied, console ou table spécifiés par le fabricant ou vendu avec le produit. Lors de l'utilisation d'un charriot, déplacez l'ensemble chariot avec le produit avec soin pour éviter tout dommage de chute.*

- Unplug this apparatus during lightning storms or when it is not being used for long periods.
- *[FR] Débrancher cet appareil durant les orages ou lorsqu'il n'est pas utilisé pendant de longues périodes.*

- Refer all servicing to qualified service personnel. A technical intervention is required when the apparatus has been damaged in any way, for example, if the power cord or plug is damaged, liquid has been spilled, or objects have fallen inside the unit if the product has been exposed to rain or moisture, if it does not operate normally or if it has been dropped.
- *[FR] Confier toute réparation à du personnel qualifié. Une intervention technique est nécessaire lorsque l'appareil a été endommagé de quelque façon, par exemple si le cordon d'alimentation ou la fiche est endommagé, du liquide a été renversé ou des objets sont tombés à l'intérieur de l'unité, si le produit a été exposé à la pluie ou à l'humidité, s'il ne fonctionne pas normalement ou s'il a été jeté.*



General Guideline *Directive générale*

- It is recommended to reboot the device when some functions are defective or inactive. If it still can't solve the problems, please contact your dealer or agent.
- *[FR] Il est recommandé de redémarrer l'appareil lorsque certaines fonctions sont défectueuses ou inactives. Si le problème persiste, veuillez contacter votre revendeur ou votre agent.*

Handling and Maintenance



General Guideline *Guide Général*

Keep the product at least 13 cm (5 inches) away from electrical appliances that can generate a strong magnetic field such as TV, refrigerator, motor, or a large audio speaker.

[FR] Garder le produit au moins à 13 cm (5 pouces) de distance des appareils électriques qui peuvent générer un fort champ magnétique comme une télévision, un réfrigérateur, un moteur, ou un important haut-parleur.

Do not place heavy objects on top of the tablet computer as this may damage the display.

[FR] Ne pas placer d'objets lourds sur le dessus de l'ordinateur tablette cela peut endommager l'écran.

The screen surface can be easily scratched. Use with care. Do not use paper towels to clean the display but use the included cleaning cloth. Avoid touching it with a pen or pencil.

[FR] La surface de l'écran peut être facilement rayée. Utiliser avec précaution. Ne pas utiliser de serviette en papier pour nettoyer l'écran mais utiliser le chiffon de nettoyage inclus. Éviter de toucher avec un stylo ou un crayon.

To maximize the life of the backlight in the display, allow backlight to automatically turn off as a result of power management. Avoid using a screen saver or other software that prevents the power management from working.

[FR] Pour maximiser la durée de vie du rétroéclairage de l'écran, autoriser le rétroéclairage résultant de la gestion de l'alimentation. Éviter d'utiliser un économiseur d'écran ou un autre logiciel empêchant la gestion de l'alimentation de fonctionner.



Cleaning Guideline *Guide de nettoyage*

Use a soft cloth moistened with water or a non-alkaline detergent to wipe the exterior of the product.

[FR] Utiliser un chiffon doux humidifié avec de l'eau ou un détergeant non alcalin pour essuyer l'extérieur du produit.

Gently wipe the display with a soft, lint-free cloth. Do not use alcohol or detergent on the product.

[FR] Essuyer délicatement l'écran avec un chiffon doux non pelucheux. Ne pas utiliser d'alcool ou un détergent sur le produit.



Touchscreen Guideline *Guide de l'écran tactile*

Use your finger or the stylus on display. Using sharp or metallic object may cause scratches and damage the display, thereby causing errors.

[FR] Utiliser votre doigt ou le stylet sur l'écran. L'utilisation d'un objet pointu ou métallique peut provoquer des rayures.

Use a soft cloth to remove dirt on display. The touchscreen surface has a special protective coating that prevents dirt from sticking to it. Not using a soft cloth may cause damage to the special protective coating on the touchscreen surface. To clean off hard to remove dirt, blow some steam on the particular area and gently wipe away using a soft cloth.

[FR] Utiliser un chiffon doux pour enlever la poussière sur l'écran. La surface de l'écran tactile a un revêtement protecteur spécial empêchant la saleté de se coller à lui. Ne pas utiliser un chiffon doux peut endommager le revêtement spécial sur la surface de l'écran tactile. Pour nettoyer les saletés plus difficiles à enlever, souffler de la buée sur la zone particulière et essuyer doucement avec un chiffon doux.

Do not use excessive force on display. Avoid placing objects on top of the display as this may cause the glass to break.

[FR] Ne pas utiliser une force excessive sur l'écran. Éviter de placer des objets au dessus de l'écran cela pourrait provoquer une cassure du verre.

When there is a noticeable discrepancy in the operation of the touchscreen function (your touch does not correlate to the proper location on the screen), recalibrate the touchscreen display.

[FR] Lorsqu'il y a un écart sensible dans le fonctionnement de l'écran tactile (votre contact ne correspond pas à la bonne position sur l'écran), recalibrer l'écran tactile.

Declaration of Conformity (DoC)

FCC Statement

This device complies with part 15 FCC rules.



Operation is subject to the following two conditions:

- This device may not cause harmful interference.
- This device must accept any interference received, including interference that may cause undesired operation

This equipment has been tested and found to comply with the limits for a Class "B" digital device, pursuant to part 15 of the FCC rules. These limits are designed to provide reasonable protection against harmful interference when the equipment is operated in a commercial environment. This equipment generates, uses, and can radiate radio frequency energy and, if not installed and used in accordance with the instruction manual, may cause harmful interference to radio communications. Operation of this equipment in a residential area is likely to cause harmful interference, in which case the user will be required to correct the interference at his own expense.

CE Notice (European Union)

This equipment is in conformity with the requirement of the following EU legislation and harmonized standards. The product also complies with the Council's directions.

Electromagnetic Compatibility Directive (2014/30/EU)



- EN55024: 2010/ A1: 2015
 - IEC61000-4-2: 2009
 - IEC61000-4-3: 2006+A1: 2007+A2: 2010
 - IEC61000-4-4: 2012
 - IEC61000-4-5: 2014
 - IEC61000-4-6: 2014
 - IEC61000-4-8: 2010
 - IEC61000-4-11: 2004
- EN55032: 2015/AC:2016
- EN61000-3-2:2014
- EN61000-3-3:2013

Low Voltage Directive (2014/35/EU)

- EN 62368-1:2014

Copyright Notice

No part of this document may be reproduced, copied, translated, or transmitted in any form or by any means, electronic or mechanical, for any purpose, without the prior written permission of the original manufacturer.

Trademark Acknowledgement

Brand and product names are trademarks or registered trademarks of their respective owners.

Disclaimer

Winmate Inc. reserves the right to make changes, without notice, to any product, including circuits and/or software described or contained in this manual to improve design and/or performance. We assume no responsibility or liability for the use of the related product(s), conveys no license or title under any patent, copyright, or mask work rights to these products, and make no representations or warranties that these products are free from patent, copyright, or mask work right infringement unless otherwise specified. Applications that are described in this manual are for illustration purposes only. We make no representation or guarantee that such application will be suitable for the specified use without further testing or modification.

Introduction

Congratulations on purchasing Winmate® 10.1-inch Rugged Windows Tablet M101AD.

M101AD is a rugged tablet with robust features designed to withstand industrial use while providing high-tech solutions that increase productivity, improve safety, and reduce operational costs. The processing power comes from Intel® Core i5-1135G7, 2.4 GHz processor. The tablet features a brilliant, in-plane switching with direct optical bonding, projective capacitive touch screen, which is outdoor viewable and offers 1920 x 1200 pixel resolution. Weighing at just 2.8 pounds (approximately 1300 grams), the M101AD delivers lightweight mobility in a rugged tablet.

Highlights

- 10.1" 1920 x 1200 IPS LED Panel with direct optical bonding
- Hot swappable battery design
- Intel® Core™ i5--1135G7 Tiger Lake processor
- IP65 waterproof and dustproof, MIL--STD--810H shock, vibration and drop resistance
- Sunlight readable with anti-glare solution

Unpacking

Check and identify the supplied accessories:

- **Tablet Computer**



- **Standard Battery**



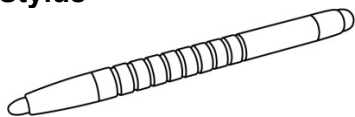
- **Power Adapter**



- **Power Cord and Plugs**



- **Stylus**



- **Quick Start Guide**



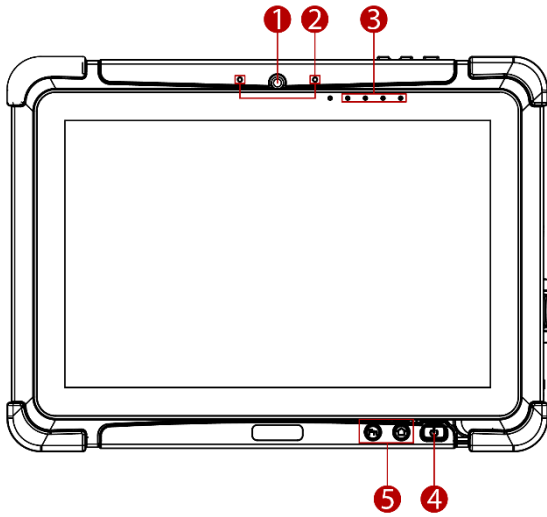
Your package may include other optional accessories based on your order:

- **Desk Dock**
- **Vehicle Dock (without VGA output)**
- **Vehicle Cradle**
- **Vehicle Charger**
- **Battery Charger**
- **Hand Strap**
- **Shoulder Strap**
- **Carry Bag**
- **Micro HDMI Cable**
- **USB-C to Ethernet Adapter**
- **USB-C to RS232 Adapter**
- **USB-C to USB-A Hub**

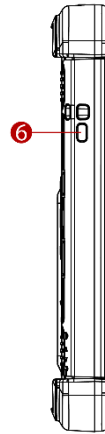
Description of Parts

Dimensions: 271.80 x 198.21 x 21 mm

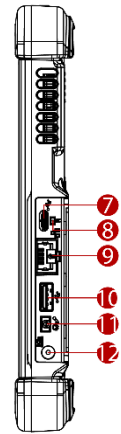
Front:



Left:

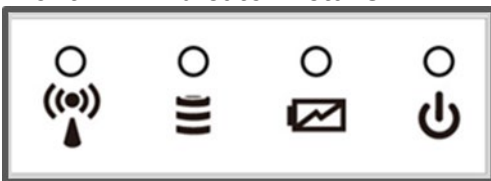


Right:



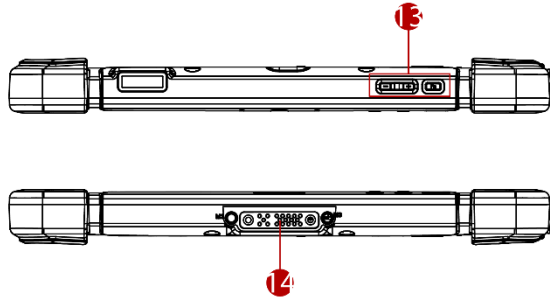
No	Item	Description
1	Front Camera	2 Megapixel Webcam.
2	Digital Mic with noise cancellation	Use during video recordings and communications.
3	Light Sensor and LED Indicators	Show the current status of the Tablet Computer. RF communications, storage, battery status, power status.
4	Power Button	Power on/off the tablet.
5	Fn1 Button	Programmable function key configured by HotTab Utility.

Front LED Indicator Details:



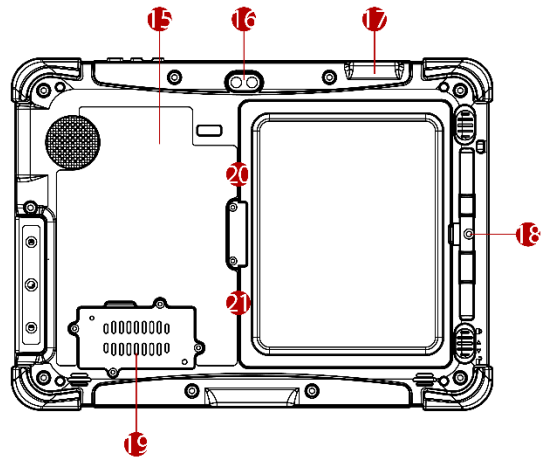
No	Item	Description
6	Kensington Lock	Use to attached tablet computer around a table leg or another secure location.
7	USB 3.0 Type-C	A high-speed USB port connects to USB devices, such as a USB flash drive, mouse, keyboard, printer, etc. (Supporting Alternate Mode (ALT) or USB Power Delivery (USB-PD)).
8	Reset Button	Hardware reset button.
9	GigaLAN	Connects the LAN cable
10	USB 3.0 Type-A	USB 3.0 port connects to USB devices, such as USB flash drive, mouse, keyboard, printer, etc.
11	Power Jack	DC power input jack.
12	Mic In/Line Out	Headset or headphone can be connected (Mic is only supported with a 3.5mm 4-pin headset).

Top and Bottom:



No	Item	Description
13	Function Buttons	Programmable function key configured by HotTab Utility.
14	Docking Connector	Port to docking solutions such as vehicle docking to provide power and external antenna.

Rear:



No	Item	Description
15	HF RFID Scanner	To identify RFID signals.
16	Rear Camera	8MP Autofocus Camera. Capture photos and videos.
17	Barcode Scanner	Barcode scanner for reading of 1D/2D barcode.
18	Touch Pen Slot	Pen holder slot to store touch pen.
19	LTE Module Slot	To insert LTE module
20	Micro SD Card Slot	To insert Micro SD card
21	SIM Card Slot	To insert Micro SIM card

Indicators

Icon	Indicator	Description
	Power Indicator	Blue – Tablet is ON No light – Tablet is OFF
	Battery Status	Orange –AC adapter is plugged in and charging Green –AC adapter is plugged in, the battery is fully charged Solid Red - Low battery (<10%) Blinking Red – Battery is hot-swapped. No light – Battery is in use with more than 10% capacity
	Disk Activity Indicator	Green - Disk is active No light - Disk is idling
	RF Communication	Green - One of WLAN/BT/WWAN/GPS is ON No light - WLAN/BT/WWAN/GPS are all OFF

Hotkey for Specific Functions

Physical buttons with their dedicated functions can be used to emulate commonly used keyboard keystrokes. Under a different scenario, a single physical button or a combination of physical buttons provide extra keyboard keystrokes, which are specified below:

In POST (before Windows boots up):

Buttons	Keystroke
Fn1	F6 to enter Recovery Menu
Fn2	Esc to enter BIOS setup screen
Volume Up (+)	Up
Volume Down (-)	Down
Menu + Fn1	Enter
Menu + Volume Up (+)	Right
Menu + Volume Down (-)	Left

In Windows:

Buttons	Keystroke
Menu	HotTab Quick Access
Fn1	Default: Web Browser
Fn2	Default: Camera
Volume UP (+)	Raise volume
Volume Down (-)	Lower volume.
Power	Power ON/ OFF
Volume Up (+) and Volume Down (-)	Ctrl + Alt + Del

Getting Started

Installing SIM card (For WWAN Equipped Devices)

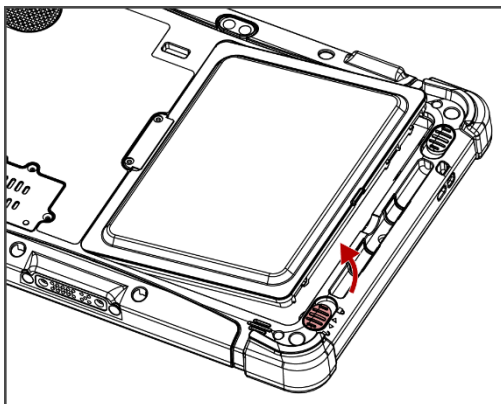
Notice that the WWAN feature is optional and may not be supported by your device. Check your order specifications for more details.



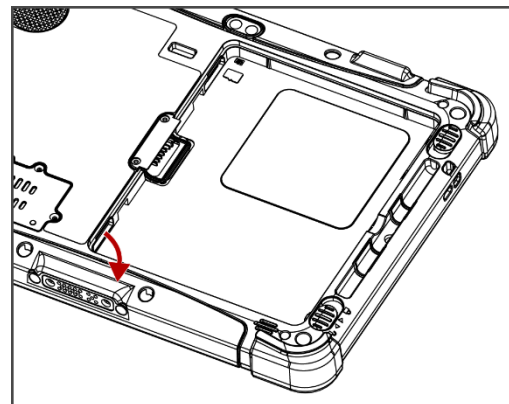
Caution Disconnect any cords connected to the tablet computer before installing or removing the battery procedure.

Attention Débranchez tous les cordons connectés à la tablette avant l'installation ou la procédure de retrait de la batterie.

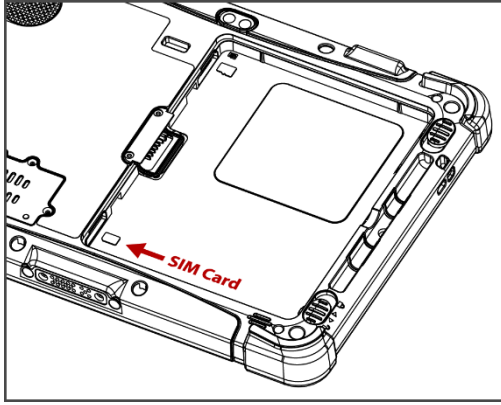
- 1 Remove the battery, as described in the previous section.



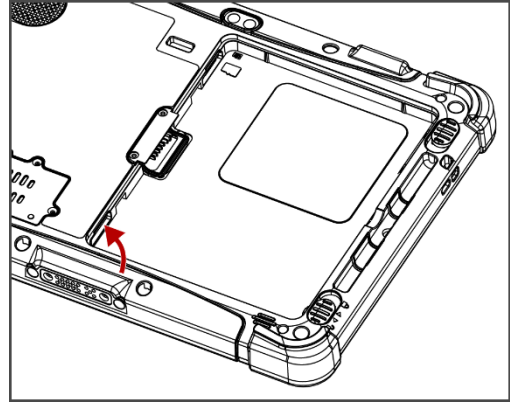
- 2 Open the SIM-card slot rubber protection cover.



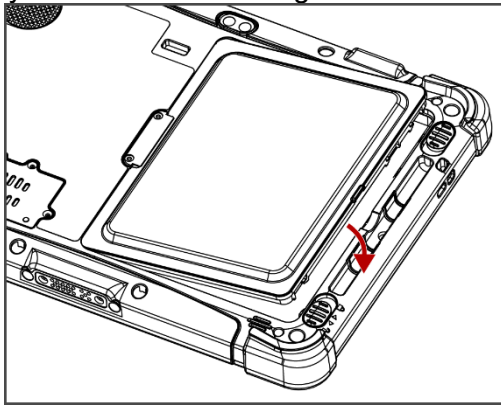
- 3 Insert the SIM Card all the way. **Chip/ contact facing down.**



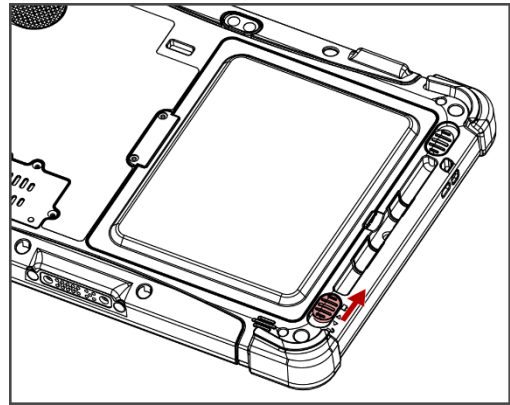
- 4 Close the SIM-card slot rubber protection cover.



- 5 Re-insert the battery. Make sure to battery is fully inserted and is flat against the housing.



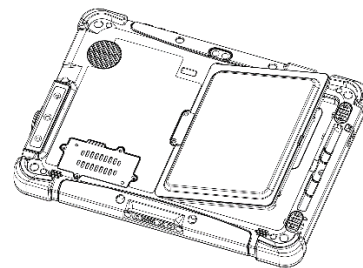
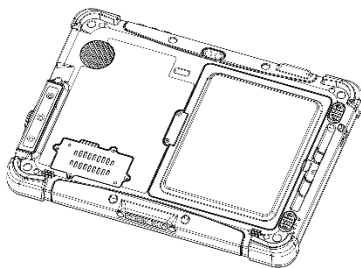
- 6 Push the Battery Lock to the "Locked" position.



Installing Battery

To install the standard battery pack:

1. Disconnect any cords connected to the tablet computer.
2. Turn the tablet over, back facing up.
3. Locate the Battery Lock Latch and push it to the "Unlocked" position.
4. Locate the Battery Release Slider that is spring-loaded. Pull back and hold.
5. Insert the battery with the connector-pins side first, and then lower the battery into the battery compartment. Continue to hold the Battery Release Slider until the battery is fully inserted.
6. Make sure the battery is completely lowered into the compartment before letting go of the Battery Release Slider. The battery will be flat against the housing once fully inserted.



To remove the battery pack:

1. Shut down the tablet (or put it into sleep mode). Disconnect any cords connected to the computer.
2. Turn the tablet computer over, back facing up.
3. Locate the Battery Lock Latch and push it to the "Unlocked" position.
4. Locate the Battery Release Slider that is spring-loaded. Pull back and hold.
5. Lift the battery out using the opening on the side of the battery compartment.

Charging Your Tablet

The tablet operates either on external AC power or internal battery power. It is recommended to use AC power when you start up the tablet for the first time.

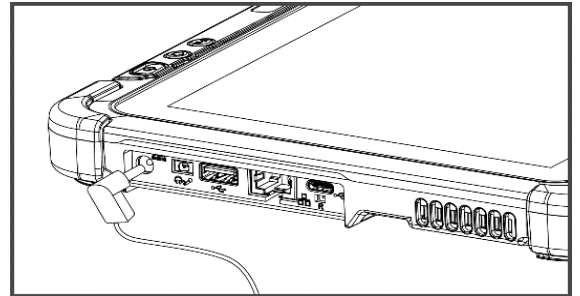


Caution Use only the AC adapter included with your Tablet Computer. Using other AC adapters may damage the Tablet Computer and the Battery.

Attention Utilisez uniquement l'adaptateur secteur fourni avec votre tablette. L'utilisation d'autres adaptateurs secteur peut endommager la tablette et la batterie.

To connect a tablet to AC power:

1. Open I/O protective cover by pulling out the latch.
2. Plug the DC cord of the AC adapter into the power jack of the tablet computer.
3. Plug the AC power cord into the AC adapter.
4. Plug the AC power cord into the electrical outlet.



The battery LED indicator shows different battery states:

Orange - AC adapter is plugged in and the battery is charging.

Green - AC adapter is plugged in and the battery is fully charged.

Solid Red - Low battery level (<10%).

Blinking Red - Battery is being hot-swapped.

No light - Battery is in use and charged (>10%).

Starting the Tablet



Important:

When powering on the device for the first time, please make sure there is no interruption during the Windows setting up process, for example, accidentally powering off. If it happened, please access the recovery menu by pressing **Fn1** button on the front bezel to initiate the recovery process.

Press and hold the power button for **3 seconds** until the blue LED power indicator light up.

Note:



Do not press the power button repeatedly.

Do not perform the following operations until the Disk Activity Indicator off

- Connecting or disconnecting the AC adapter
- Pressing the power button
- Touching the tablet buttons, screen, or external keyboard/mouse

To power off the Tablet Computer:


1. Make sure you have saved and closed any files and programs that are open on the Desktop.
2. Tap on the **Settings** charm.
3. Tap on **Power**.
4. Tap on **Shut Down**.
5. Wait for Tablet Computer to power off.



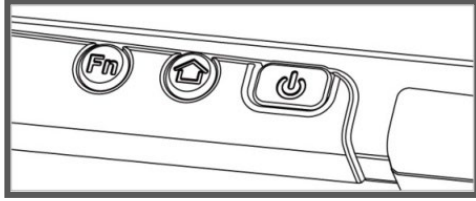
Note:

The computer will be powered off if the power button is pressed and held for **6 seconds or longer**.

Using HotTab Utility

HotTab is the utility to control all main functions of your tablet computer. When Windows starts up, HotTab starts and runs on the background. To display the HotTab interface press the  (Menu) button located on the front panel or launch the application.

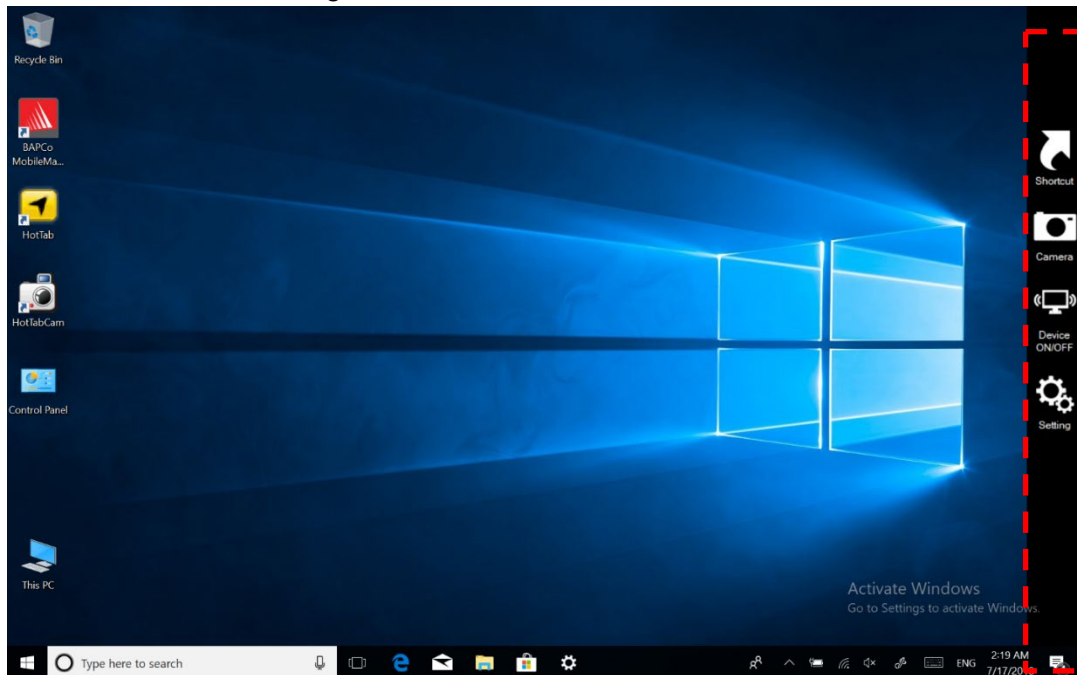
 (Menu) Button on the Front Panel:







HotTab Utility Icon:




The main user interface is located on the right side of the screen. There are 4 main menu options: Shortcuts, Camera, Device ON/OFF, and Settings.





Icon	Description
 Shortcuts	Allows users to configure short cut to quickly access programs with a few tabs.
 Camera	Allows users to take a picture or record a video. Users can also adjust settings related to the camera in this menu option.
 Device ON/OFF	Enables/disables tablet computer's hardware functions. The configurable functions are WLAN, WWAN, GPS, BT, Camera, LED indicators, Barcode Reader, RFID Reader, and GPS Antenna routing options.
 Settings	Provides users information such as PC Information, battery status, and device settings such as power management setting, and function key mappings.

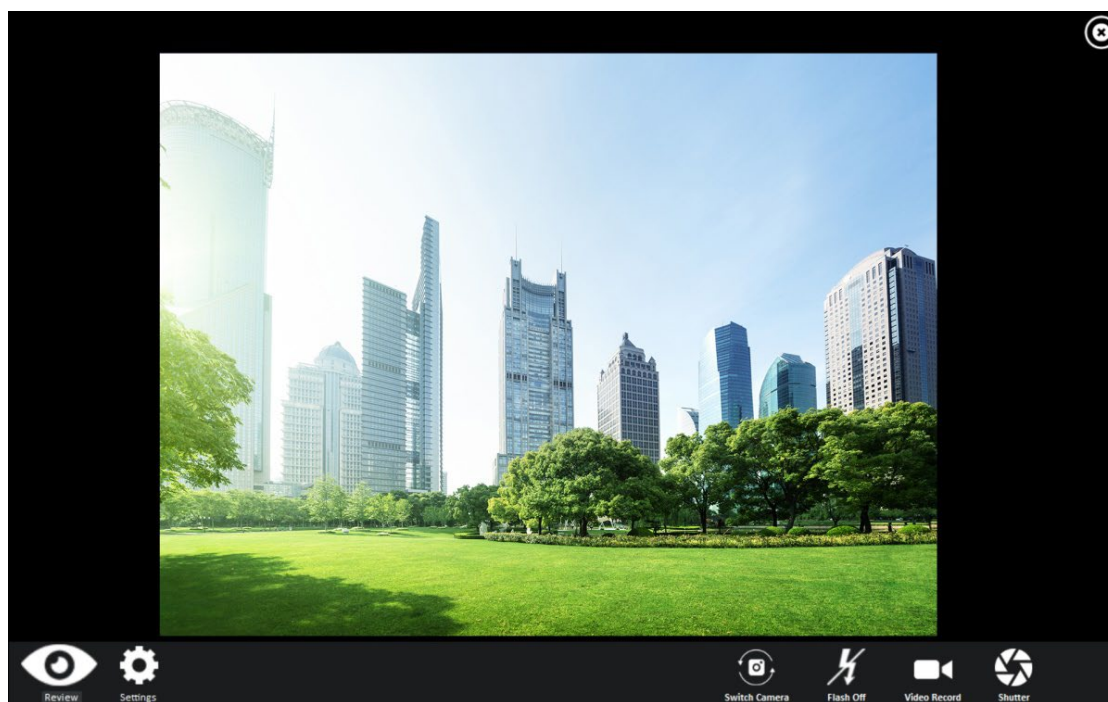
Using the Camera








To open camera interface:

1. Press the  (Menu) button on the front panel to open HotTab or launch the HotTab icon.
2. Tap on **Device ON/OFF** button to check the built-in device's status.
3. Check the status color of the **Camera** icon:

Item	Status Color	Description
 Camera	Orange	The camera is enabled.
	White	The camera is disabled.

4. If the camera is disabled (white), tap on the *Camera* icon to enable it (orange).
5. Go back to the HotTab main menu by pressing the  (Menu) Button OR click on the back arrow on top.
6. Tap on the *Camera* icon to open the camera menu.



No	Item	Description
1	Review	 Review
2	Settings	 Opens Camera settings page. Available Settings: <ul style="list-style-type: none"> • Picture Save: modify/inspect saved location for pictures. • Video Save Folder: modify/inspect saved location for video recordings. • Picture Quality: Picture compression quality.
3	Camera Switch	 Switch between front camera or rear camera.
4	Flash Control	 Enables/ Disables LED Flash when taking picture.
5	Video Record	 Tap to Start, and press again to stop recording.
6	Shutter Camera	 Camera Shutter Button. Tap to take picture.
7	Exit	 Exits the Camera and hide HotTab Utility.

Replacing Battery

The M101AD Tablet supports hot-swap, meaning the tablet doesn't need to be powered off to replace the main battery. To support hotswap, there is a backup battery inside the tablet that is charged together with the main battery. This battery cannot be removed, and requires adequate power for main battery hot swapping. When the backup battery is fully charged, the tablet can sustain up to 5 minutes of runtime for battery hot-swapping.

Perform the following to hot swap the batteries:

1. Power on the tablet, open HotTab to check the power level of the Backup battery.
2. If the Backup battery level is "Low", please charge the tablet with AC Power until the Backup battery level is "Medium" or "High", and do not remove the main battery.
3. If the Backup battery level is at "Medium" or "High", you can remove the main battery.
4. Insert a new fully charged battery into the battery compartment.
5. Pen HotTab to check the Main battery level. If the battery level is displayed incorrectly, check if the new removable battery is inserted properly.
6. If the battery level is displayed correct, continue using the tablet.




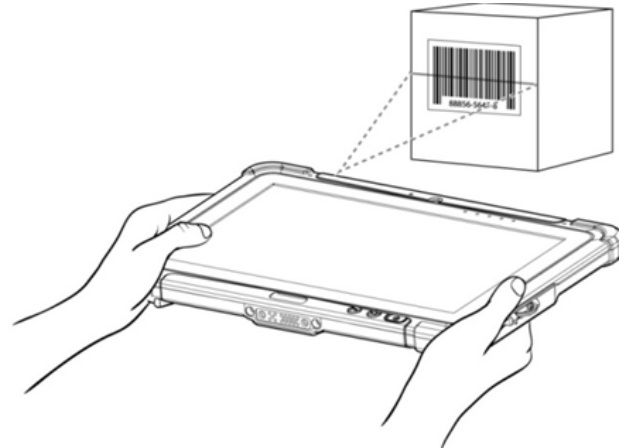
Caution: Charge the built-in backup battery every two months to maintain the battery health and prevent possible issues from battery over-discharge.

Scanning Barcodes

Barcode scanner is an optional feature. Depending upon configuration, barcode scanning can be performed using the built-in 1D/2D barcode scanner.

To set up a barcode scanner:


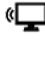

1. Tear off protective film from the barcode.
2. Press  Menu to open HotTab utility.
3. Choose **Device ON/OFF** and click **Barcode**.
4. Tap barcode power ON.
5. Press the **Fn** button located on the rear.
6. Scan a barcode to check your reader is working properly. Results will be displayed in HotTab.

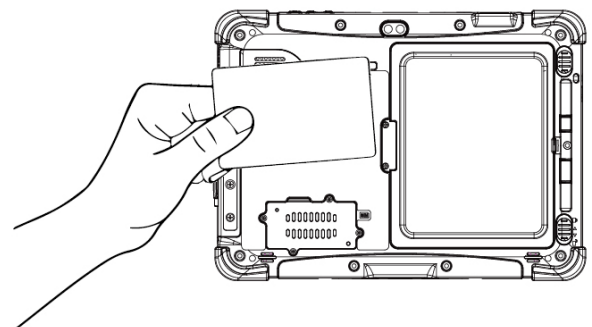


Reading RFID Tags

Depending upon configuration, the M101AD supports reading RFID tags. The RFID antenna is located on the back of the device under the RFID logo.

To enable RFID Reader:

1. Press  Menu to open HotTab utility.
2. Choose Device ON/OFF  and click on .
3. Tap on the ON button. The button turns green, and the RFID icon in the HotTab menu is orange.
4. Bring the RFID card toward the antenna. Result will be displayed in HotTab.



Winmate Inc.
9F, No.111-6, Shing-De Rd., San-Chung District,
New Taipei City 24158, Taiwan, R.O.C
www.winmate.com

