

TL-33

1U Liquid Cooler

PRODUCT SPECIFICATIONS

Model Number: TL-33

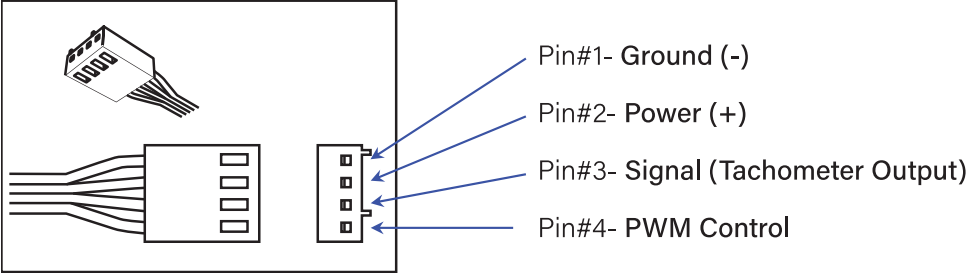
- Recommend for CPU as following
 - Intel® Socket FCLGA 1150, 1151, 1155, 1156;
 - Intel® Processor, Socket LGA1700/1851
 - AMD® Socket AM2/AM3/AM4/AM5/FM1/FM2;
- Liquid Cooler for 1U Server & Up

Overall Specification

- Cold Plate Module with Copper Base
- Space Saver Light Weight Radiator
- 4cm Cooling Fans with 4-Pin PWM Connector
- Stand-alone Water Pump with Powerful Flow Rate 2.9 Liter Per Minute
- 30cm Black Pair EPDM Tube Assembled
- Mounting Accessories are included
- Shin-Etsu Series Thermal Compound Pre-Printed on Base
- Support CPU Power up to 280 Watts(Intel) and up to 185 Watts(AMD) Heat Dissipation
- **Each fan should have its own fan header due to the high current consumption at full speed**

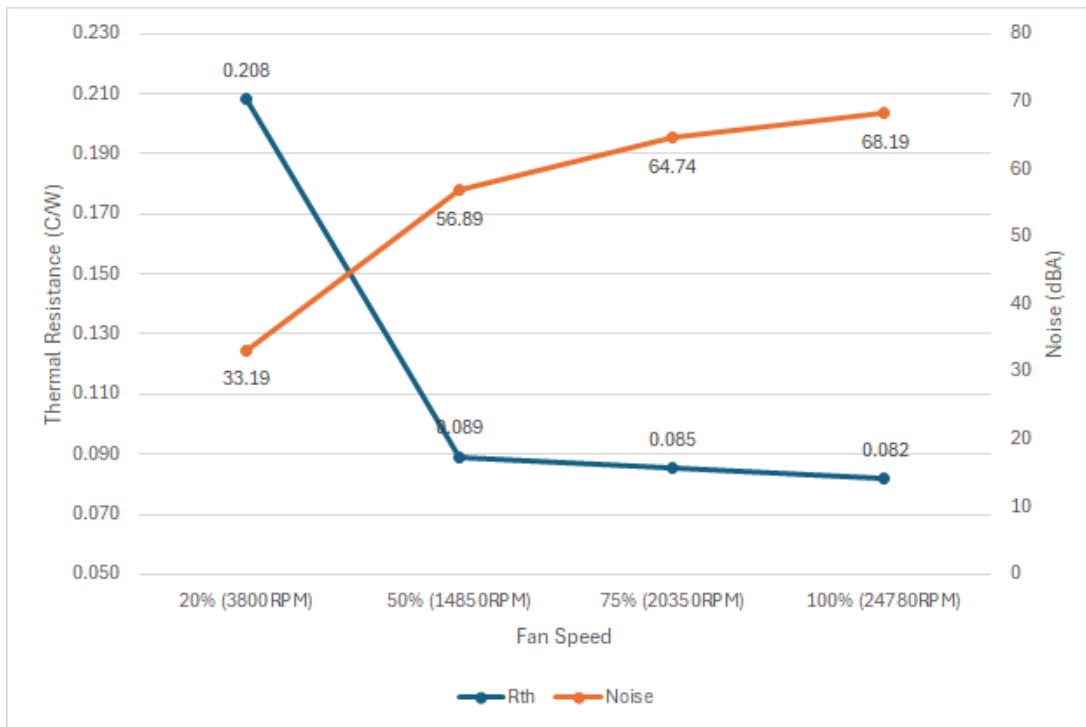
Cooling Fan Specification

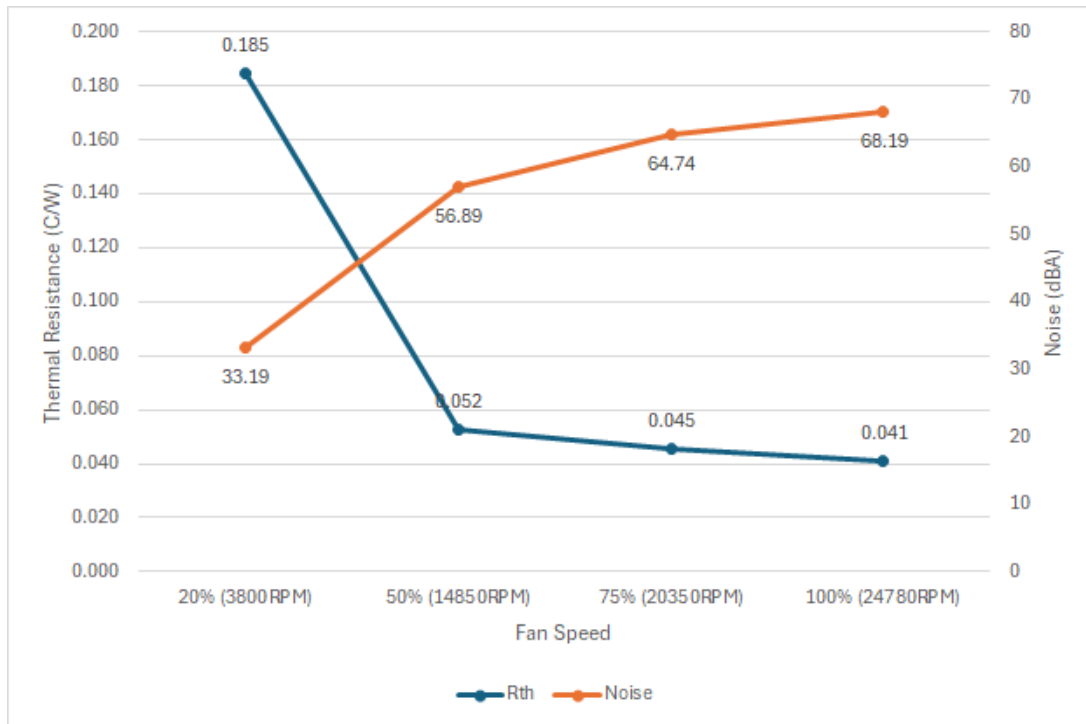
Model Number	DF124028BU-PWMH
Dimension	40 x 40 x 28 mm
Bearing	Dual Ball
Rated Voltage	12V
Rated Speed	At Duty Cycle 0~20%: 3300±10% RPM At Duty Cycle 50%: 15000±10% RPM At Duty Cycle 100%: 26000±10% RPM
Rated Input Power	At Duty Cycle 0~20%: 0.72 W At Duty Cycle 50%: 6 W At Duty Cycle 100%: 22.8 W
Rated Airflow	At Duty Cycle 0~20%: 4.74 CFM At Duty Cycle 50%: 21.53 CFM At Duty Cycle 100%: 37.32 CFM
Rated Static Pressure	At Duty Cycle 0~20%: 1.61 mm-H2O At Duty Cycle 50%: 21.53 mm-H2O At Duty Cycle 100%: 37.3 mm-H2O
Acoustical Noise	At Duty Cycle 0~20%: 19.35 dBA At Duty Cycle 50%: 52.23 dBA At Duty Cycle 100%: 64.17 dBA

<p>Lead Wire Pin Out</p> <p>Pin#1- Black(-) Pin#2- Yellow(+) Pin#3- Green(Tachometer/ Signal Output) Pin#4- Blue (PWM)</p> <p>Lead Wire Pin Out Diagram :</p> 
--

Performance Chart: Active Cooler TL-33 Thermal Resistance Thermal Resistance vs. Fan Speed (Duty Cycle and RPM)

LGA 1700



Socket AM5:


2

1

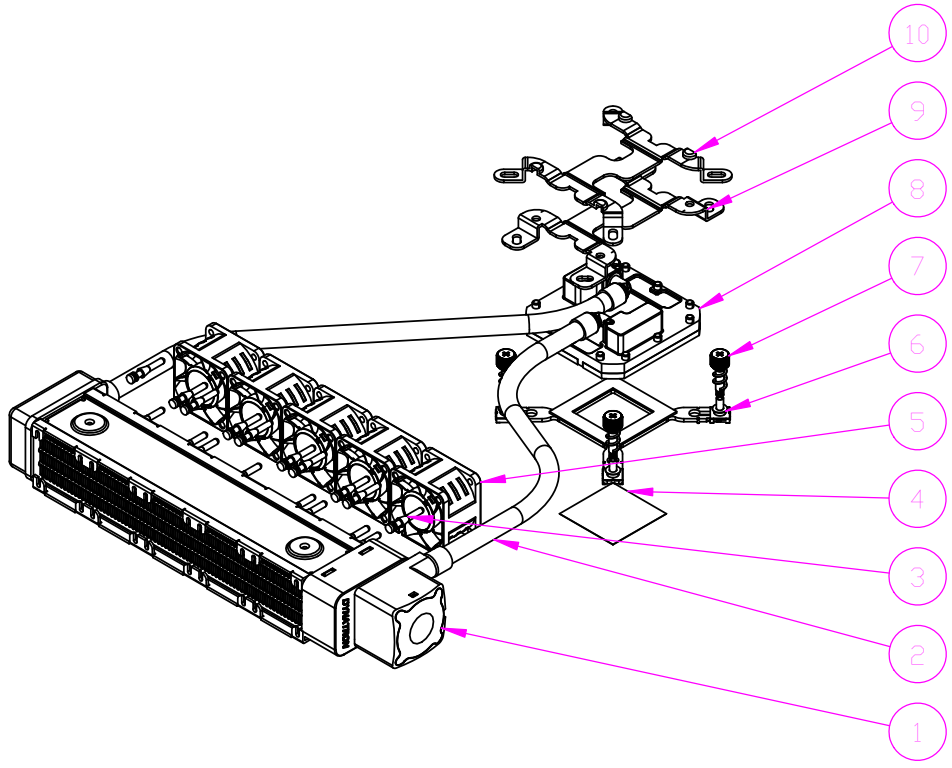
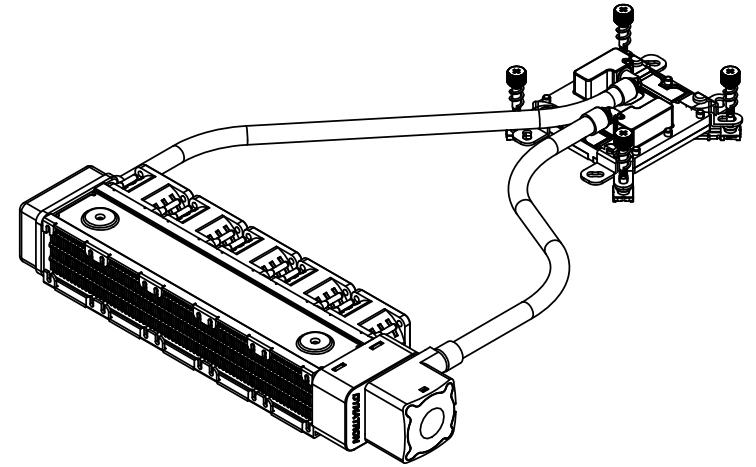
CONFIDENTIAL DOCUMENT

THIS DRAWING CONTAINS INFORMATION PROPRIETARY TO DYNATRON CORPORATION AND DYNAEON INDUSTRIAL CO., LTD. ANY REPRODUCTION, DISCLOSURE, OR USE OF THIS DRAWING IS EXPRESSLY PROHIBITED EXCEPT AS DYNATRON CORPORATION AND DYNAEON INDUSTRIAL CO., LTD. MAY OTHERWISE AGREE TO IN WRITING.

REV#	DESCRIPTION	CHECKER	DATE
0.0	INITIAL RELEASE	JUN	1/26/24

B

B



A

A

ITEM #	DESCRIPTION	MATERIAL	QTY.
10	RETENTION BRACKET, INTEL	STEEL	1
9	RETENTION BRACKET, AMD	STEEL	1
8	COLD PLATE	COPPER, PLASTIC	1
7	SCREW & SPRING KIT (INTEL X4, AMD X4)	STEEL	8
6	INTEL BACKPLATE (1700/115X/1851)	STEEL	1
5	FAN, DF124028BU-PWMH 26000RPM	PLASTIC	5
4	THERMAL GREASE	SHIN-ETSU X23-8079-2	N/A
3	GROMMET	RUBBER	20
2	HOSE (300MM)	EPDM	2
1	RADIATOR	STEEL BRACKETS, AL PIPE, AL FIN, PLASTIC PUMP	1

	DATE	NAME	
DRAWN	1/26/2024	JUN	
CHECKED	1/26/2024	JUN	
ENG.APPR.			
MFG.APPR.			
COMMENTS:			TITLE: 1U LIQUID COOLER TL33 BOM & exploded Assembly Drawing
			DWG. NO. DNY-EP-TL33
			REV 0.0

NOTES:
THE FIGURE IS FOR REFERENCE ONLY, AND NOT FOR SCALE

2

1

4

3

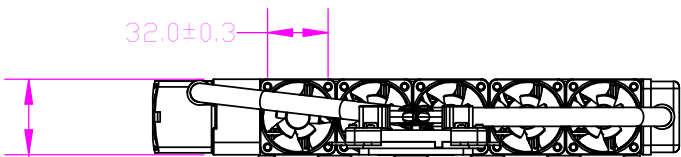
2

1

REV#	DESCRIPTION	CHECKER	DATE
0.0	INITIAL RELEASE	JUN	01/25/24

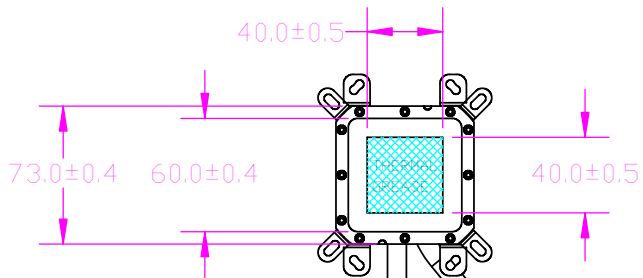
F

F



E

E



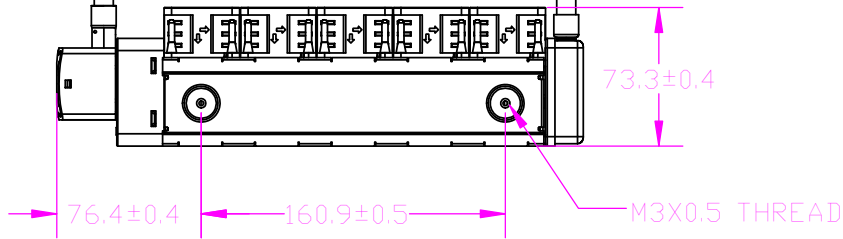
D

D

300MM HOSE

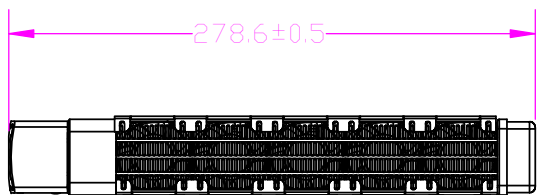
C

C




B

B



	NAME	DATE
DRAWN BY	JUN	1/29/2024
CHECKED BY	JUN	1/29/2024
ENG. APPROVED		
MFG. APPROVED		


DYNATRON CORPORATION
 TOP MOTOR
 TITLE:
 1U LIQUID COOLER TL33
 OVERALL DIMENSION DRAWING

A

A

CONFIDENTIAL DOCUMENT
 THIS DRAWING CONTAINS INFORMATION PROPRIETARY TO DYNATRON CORPORATION AND DYNAEON INDUSTRIAL CO., LTD. ANY REPRODUCTION, DISCLOSURE, OR USE OF THIS DRAWING IS EXPRESSLY PROHIBITED EXCEPT AS DYNATRON CORPORATION AND DYNAEON INDUSTRIAL CO., LTD. MAY OTHERWISE AGREE TO IN WRITING.

VIEW		DWG. No:	REV.
UNITS	MM	DYN-BD-TL33	0.0

4

3

2

1