



# A55

3U Active Air Cooler

**PRODUCT SPECIFICATIONS**

Specification Version: 07/01/2023

*(Specifications are subject to change without notice)*

## Model Number: A55

- Recommend for AMD® CPU as following
  - AMD® EPYC™ Processor, Socket SP6
- Active Air Cooler for 3U Server and Up

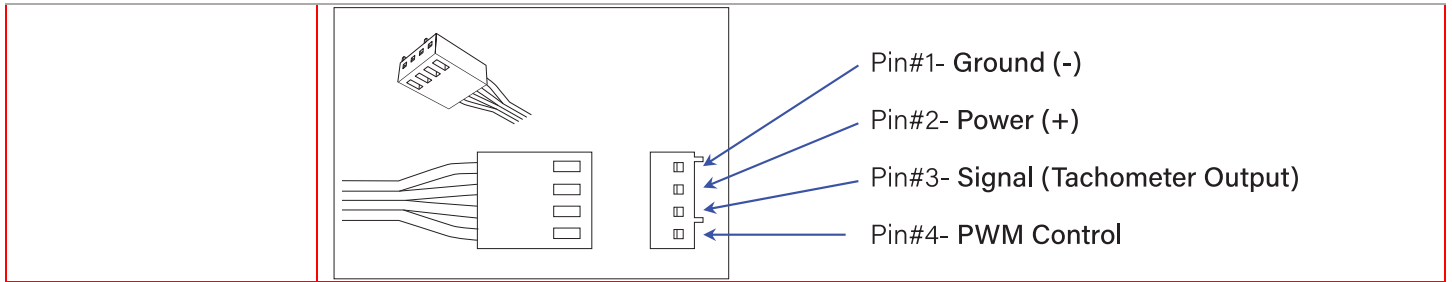
## Overall Specification

Dimension	120.0 x 82.0 x 110.2 mm
Weight	656g
Material	Aluminum Heatsink with Heatpipe Embedded
Thermal Grease	Shin-Etsu 7762 Pre-Printed
TDP	SP6: 225W TR5: 350W

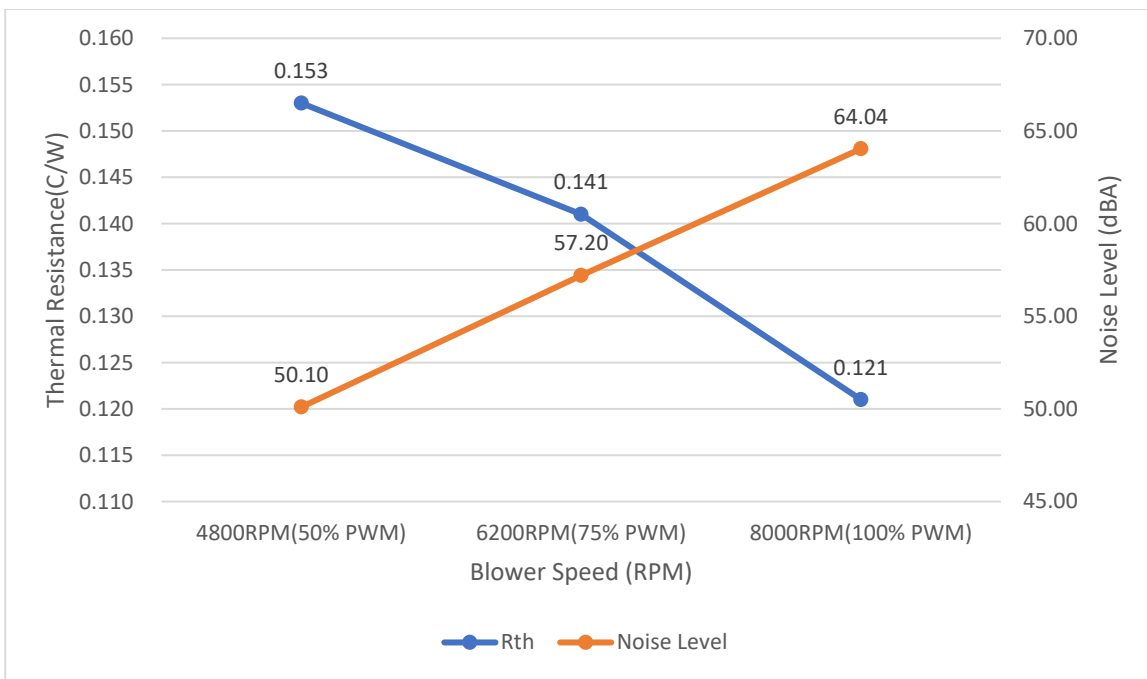
## Cooling Fan Specification

Model Number	DF128038BX-PWVG
Dimension	80 x 80 x 38mm
Bearing	Double Ball
Rated Voltage	DC 12V
Rated Speed	At Duty Cycle 0~20%: 2400± 200 RPM At Duty Cycle 50%: 4800± 10% RPM At Duty Cycle 100%: 8000±10% RPM
Input Power	At Duty Cycle 0~20%: 1.2 W At Duty Cycle 50%: 5.52 W At Duty Cycle 100%: 24.72 W
Maximum Airflow	At Duty Cycle 0~20%: 35.52 CFM At Duty Cycle 50%: 67.24 CFM At Duty Cycle 100%: 115.61 CFM
Rated Static Pressure	At Duty Cycle 0~20%: 3.45 mm-H2O At Duty Cycle 50%: 13.6 mm-H2O At Duty Cycle 100%: 38.3 mm-H2O
Acoustical Noise	At Duty Cycle 0~20%: 25.63 dBA At Duty Cycle 50%: 47.85 dBA At Duty Cycle 100%: 64.40 dBA
Lead Wire Pin Out	Pin#1- Black(-) Pin#2- Yellow(+) Pin#3- Green(Tachometer/ Signal Output) Pin#4- Blue (PWM)

**A55 | Socket SP6**



**Performance Chart: Active Cooler A55 Thermal Resistance  
 Thermal Resistance vs. Fan Speed (at Specific PWM Duty Cycle)**

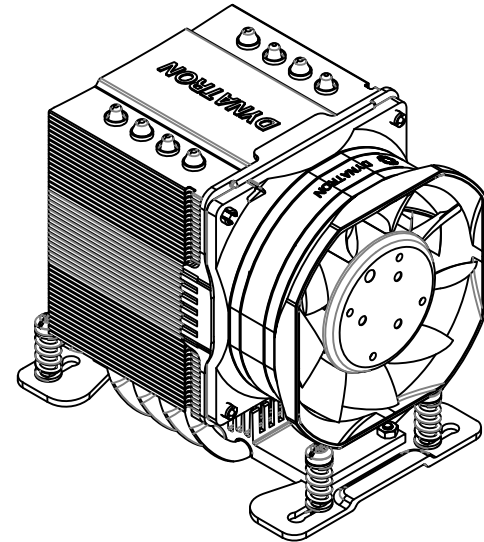
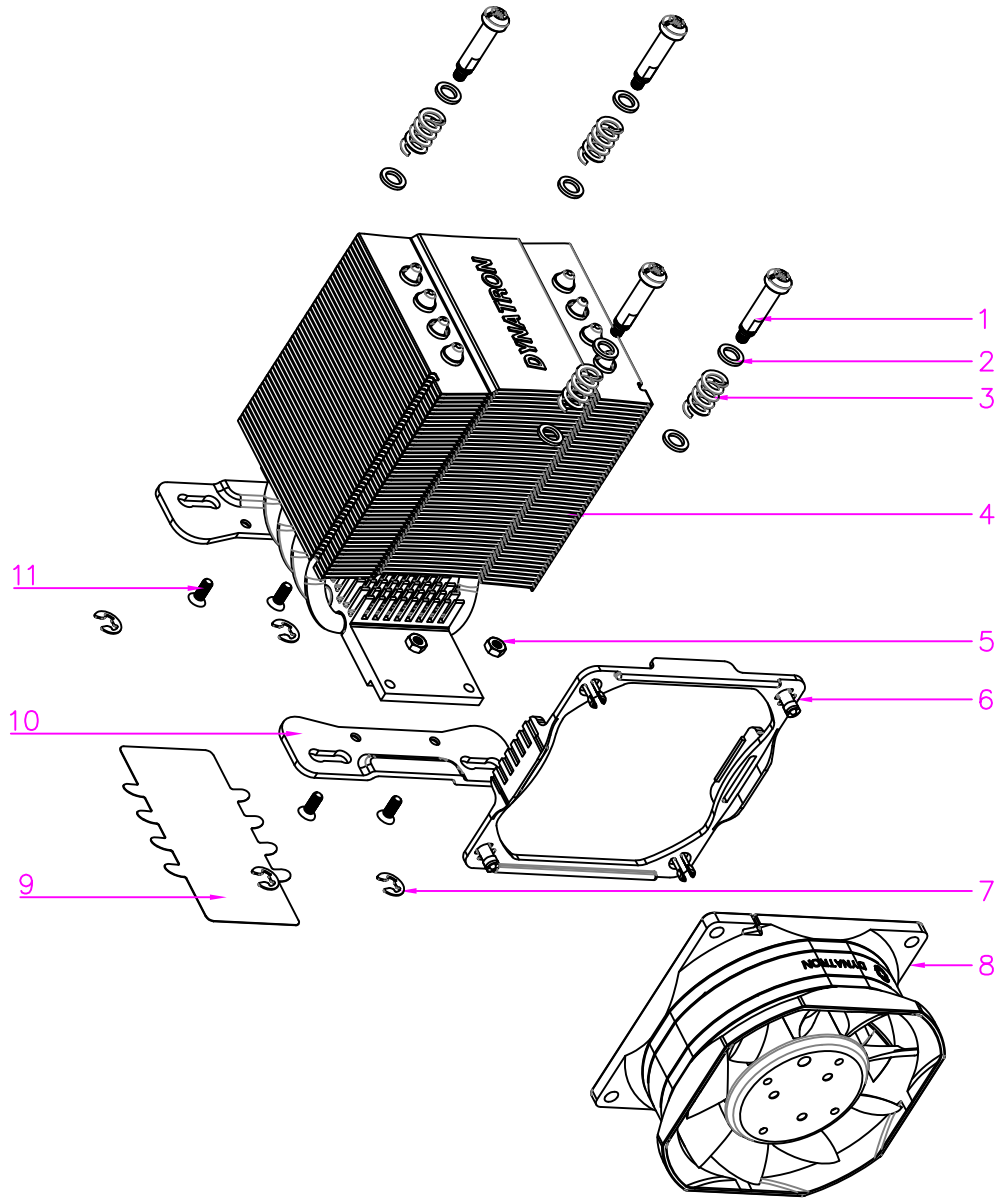


**S**


**CONFIDENTIAL DOCUMENT**

THIS DRAWING CONTAINS INFORMATION PROPRIETARY TO DYNATRON CORPORATION AND DYNAEON INDUSTRIAL CO., LTD. ANY REPRODUCTION, DISCLOSURE, OR USE OF THIS DRAWING IS EXPRESSLY PROHIBITED EXCEPT AS DYNATRON CORPORATION AND DYNAEON INDUSTRIAL CO., LTD. MAY OTHERWISE AGREE TO IN WRITING.

REV#	DESCRIPTION	CHECKER	DATE
0.0	INITIAL RELEASE	Engr.	06/30/23
0.1	THERMAL GREASE SIZE UPDATE	Engr.	07/01/23



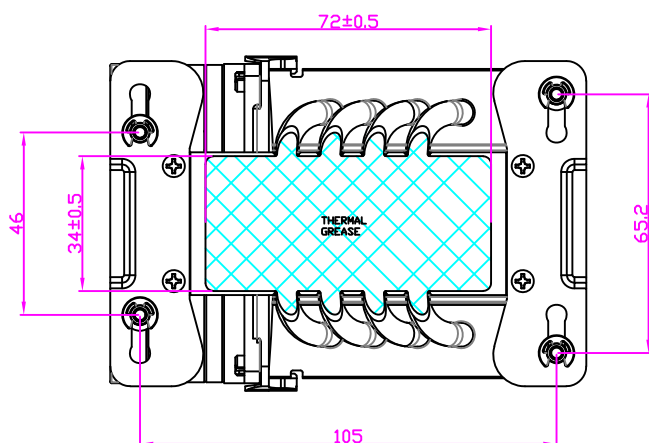
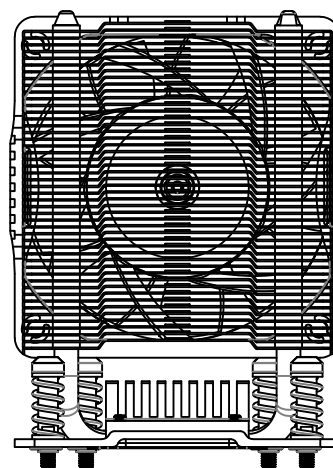
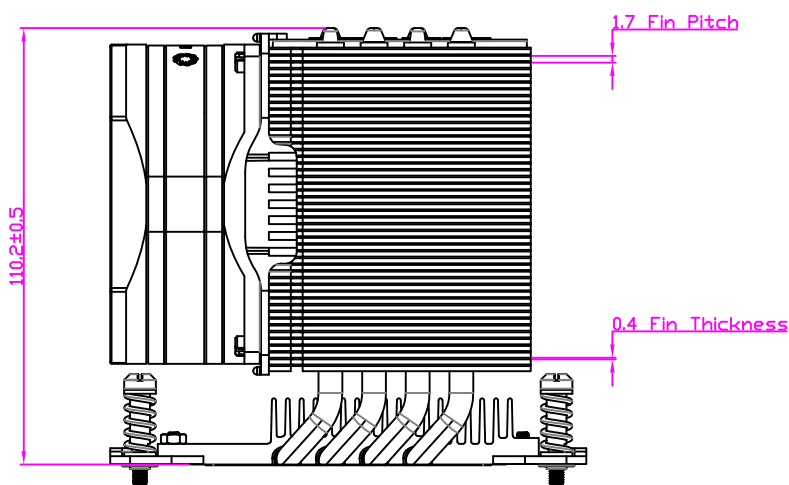
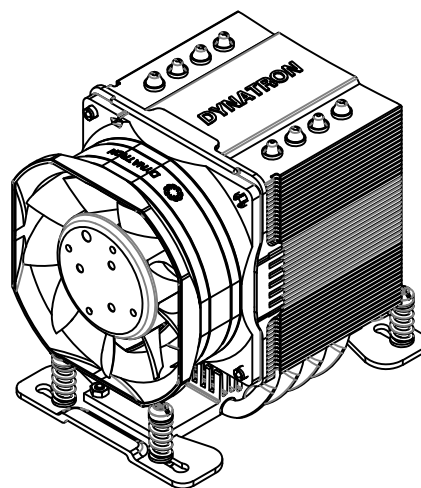
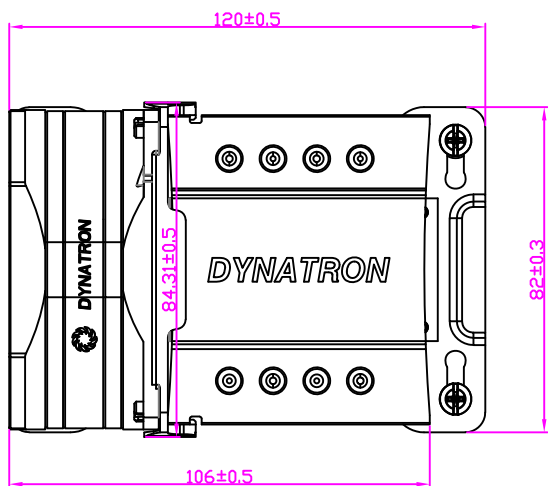
11	SCREW, BRACKET, M3x0.5	STEEL	4
10	HEATSINK BRACKET	STEEL	2
9	THERMAL GREASE	SHIN-ETSU X-23-7762	N/A
8	FAN, DF128038BX-PWMG, 8000RPM	PBT	1
7	HEATSINK CLIP	STEEL	4
6	FAN MOUNTING BRACKET	PBT	1
5	NUT, BRACKET, M3x0.5	STEEL	2
4	HEATSINK	HEAT PIPES, AL BASE, AL FINS	1
3	HEATSINK SPRING (0890)	SWP	4
2	WASHER	STEEL	8
1	HEATSINK SCREW (4380)	STEEL	4
ITEM #	DESCRIPTION	MATERIAL	QTY.

	DATE	NAME	 <b>DYNATRON CORPORATION</b>
DRAWN	07/01/23	Engr.	
CHECKED	07/01/23	Engr.	<b>TITLE:</b> 1U Air Cooler A55 BOM & Exploded Assembly Drawing
ENG. APPR.			
MFG. APPR.			
Q.A.			
COMMENTS:			DWG. No: DYN-EP-A55
			REV 0.1

**NOTES:**

1. THE FIGURE IS FOR REFERENCE ONLY, AND NOT FOR SCALE

REV#	DESCRIPTION	CHECKER	DATE
0.0	INITIAL RELEASE	Engr.	06/30/23



NOTES:  
1. THE FIGURE IS FOR REFERENCE ONLY, AND NOT FOR SCALE

	NAME	DATE
DRAWN BY	ENGR	06/30/2023
CHECKED BY	ENGR	06/30/2023
ENG. APPROVED		
MFG. APPROVED	-	-



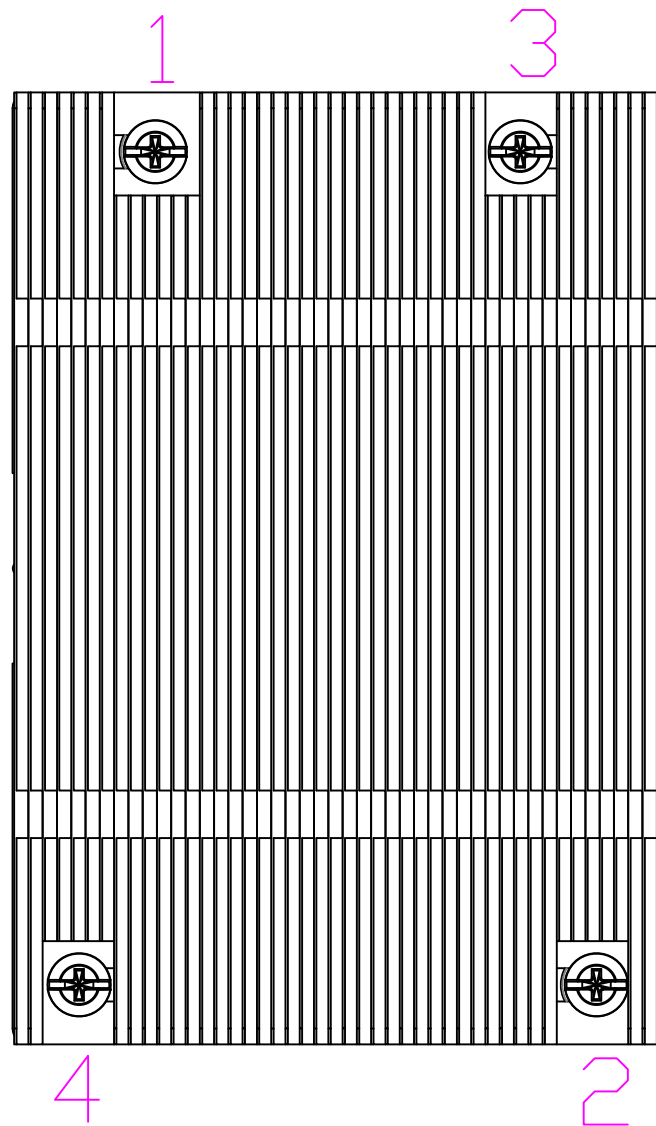
**DYNATRON CORPORATION**

TITLE: 3U Air Cooler A55  
Overall Dimension Drawing

**CONFIDENTIAL DOCUMENT**  
THIS DRAWING CONTAINS INFORMATION PROPRIETARY TO DYNATRON CORPORATION AND DYNAEDN INDUSTRIAL CO., LTD. ANY REPRODUCTION, DISCLOSURE, OR USE OF THIS DRAWING IS EXPRESSLY PROHIBITED EXCEPT AS DYNATRON CORPORATION AND DYNAEDN INDUSTRIAL CO., LTD. MAY OTHERWISE AGREE TO IN WRITING.

VIEW	DWG. No:	REV.
UNITS	DYN-DM-A55	0.0

# SOCKET SP6 COOLER INSTALLATION INSTRUCTION



HEATSINK ASSEMBLY  
ORDER 1,2,3,4

HEATSINK DISASSEMBLY  
ORDER 4,3,2,1

TORQUE = 12.5 - 15.1 KG -CM

ALL SCREWS SHOULD BE  
TIGHTENED/RELEASED EVENLY, AVOIDING  
TIGHTENING/RELEASING ANY SCREWS TO THE  
BOTTOM/TOP AT ONCE

## Publication History:

07/01/2023: Thermal Grease Size Update

06/30/2023: Initial Release

*(Specifications are subject to change without notice)*