



C2

2U Active Air Cooler

PRODUCT SPECIFICATIONS

Specification Version: 07/28/2023

(Specifications are subject to change without notice)

Model Number: C2

- Recommend for Intel® CPU as following
 - Intel® Granite Rapid AP (Socket LGA 7529)
- Active Air Cooler for 2U Server and Up

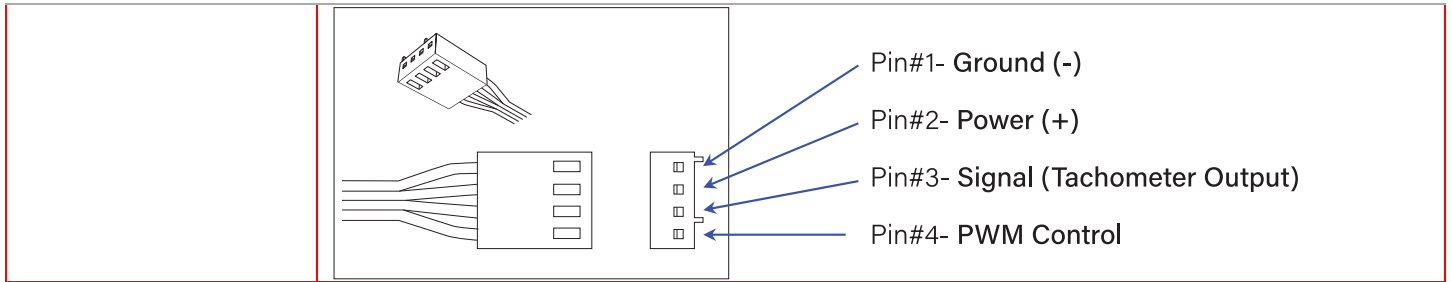
Overall Specification

Dimension	132.5 x 97.8 x 67 mm
Weight	630 g
Fan	6025 Side-blow Fan with PWM function
Material	Aluminum Stacked-fin with Heat Pipes directly contact CPU
Mounting	Convenient Heat Sink screw captive mounting
Package Carrier	LGA 7529 Package carrier included
Thermal Grease	Shin-Etsu 7762 Pre-Printed
TDP	400W

Cooling Fan Specification

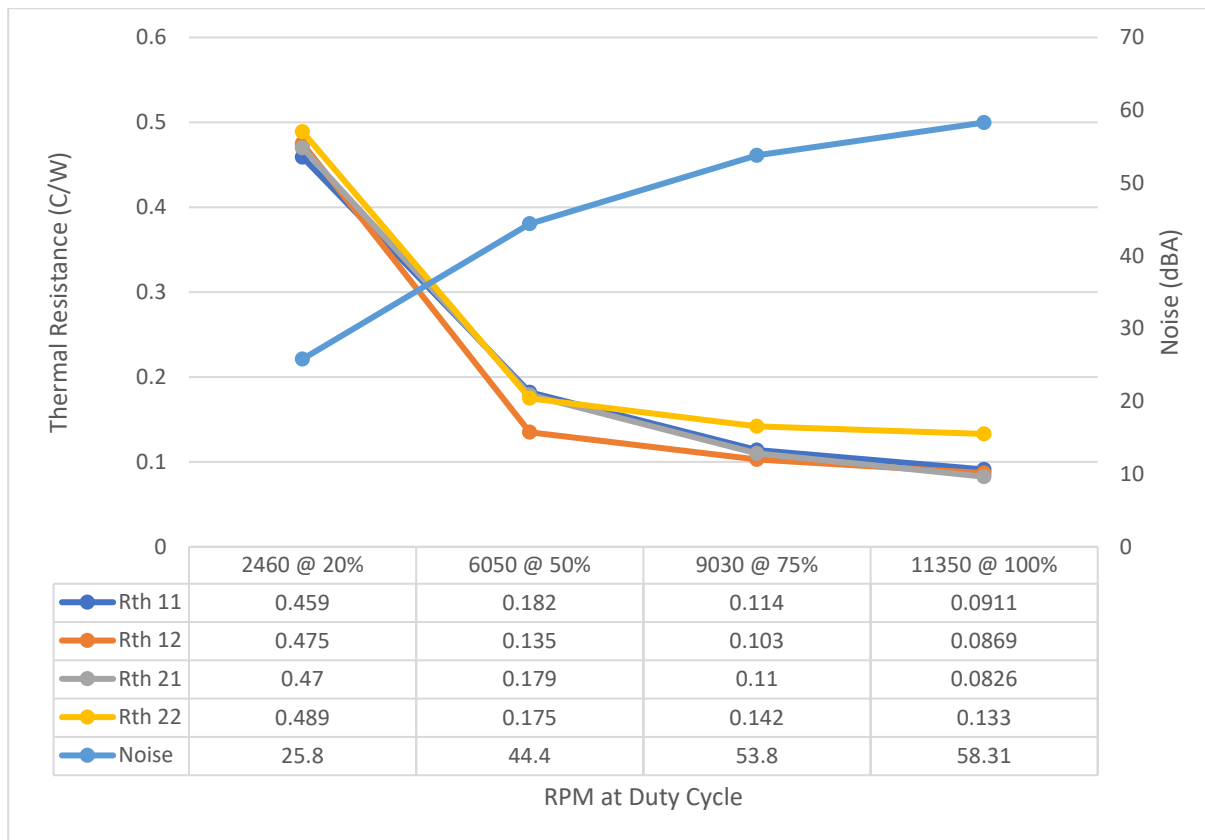
Model Number	DF126025BU-PWMH
Dimension	60 x 60 x 25 mm
Bearing	Double Ball
Rated Voltage	12V
Rated Speed	At Duty Cycle 0~20%: 2300± 200 RPM At Duty Cycle 50%: 5400± 10% RPM At Duty Cycle 100%: 11000±10% RPM
Input Power	At Duty Cycle 0~20%: 0.84 W At Duty Cycle 50%: 2.76 W At Duty Cycle 100%: 18 W
Maximum Airflow	At Duty Cycle 0~20%: 11.91 CFM At Duty Cycle 50%: 28.38 CFM At Duty Cycle 100%: 58.31 CFM
Rated Static Pressure	At Duty Cycle 0~20%: 1.48 mm-H2O At Duty Cycle 50%: 7.54 mm-H2O At Duty Cycle 100%: 28.8 mm-H2O
Acoustical Noise	At Duty Cycle 0~20%: 25.8 dBA At Duty Cycle 50%: 44.4 dBA At Duty Cycle 100%: 59.8 dBA
Lead Wire Pin Out	Pin#1- Black(-) Pin#2- Yellow(+) Pin#3- Green(Tachometer/ Signal Output) Pin#4- Blue (PWM)

C2 | Socket LGA7529



Performance Chart: Active Cooler C2 Thermal Resistance

Active Cooler C2 Cooling Performance vs. RPM @ Duty Cycle



Publication History:

08/09/2023: Initial Release.

(Specifications are subject to change without notice)

4

3

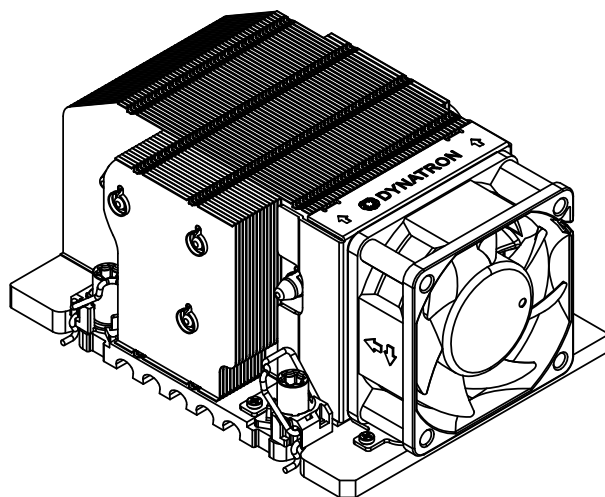
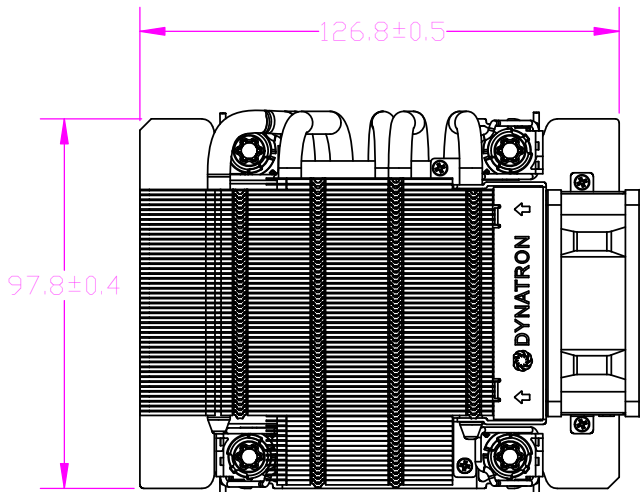
2

1

REV#	DESCRIPTION	CHECKER	DATE
0.0	INITIAL RELEASE	JUN	08/11/23

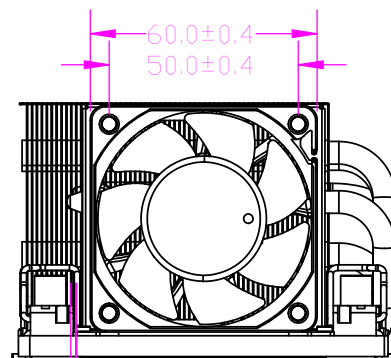
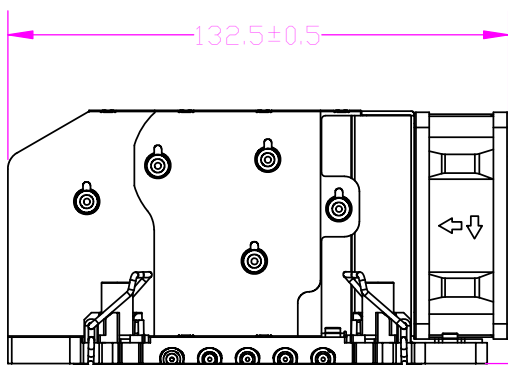
F

F



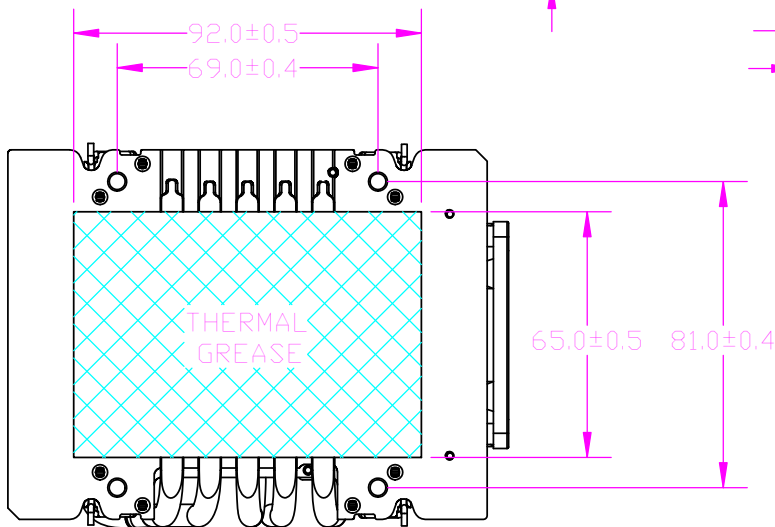
E

E



D

D



C

C

B

B

	NAME	DATE
DRAWN BY	JUN	8/11/2023
CHECKED BY	JUN	8/11/2023
ENG. APPROVED		
MFG. APPROVED		



DYNATRON CORPORATION

TOP MOTOR

TITLE:

2U AIR COOLER C2
OVERALL DIMENSION DRAWING

CONFIDENTIAL DOCUMENT

THIS DRAWING CONTAINS INFORMATION PROPRIETARY TO DYNATRON CORPORATION AND DYNAEON INDUSTRIAL CO., LTD. ANY REPRODUCTION, DISCLOSURE, OR USE OF THIS DRAWING IS EXPRESSLY PROHIBITED EXCEPT AS DYNATRON CORPORATION AND DYNAEON INDUSTRIAL CO., LTD. MAY OTHERWISE AGREE TO IN WRITING.

VIEW		DWG. No:	REV.
UNITS	MM	DYN-BD-C2	0.0

A

A

4

3

2

1

2

1

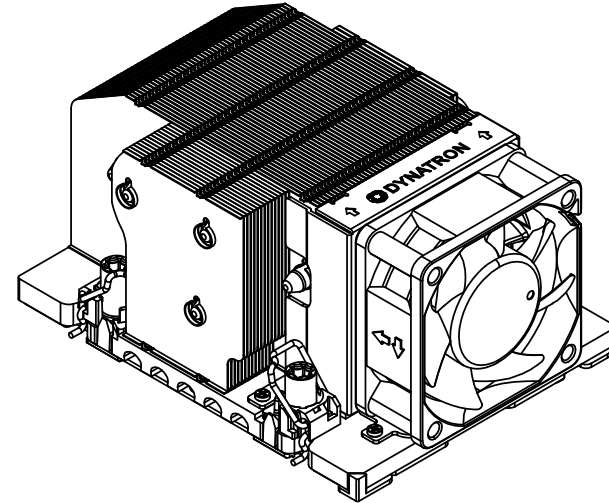
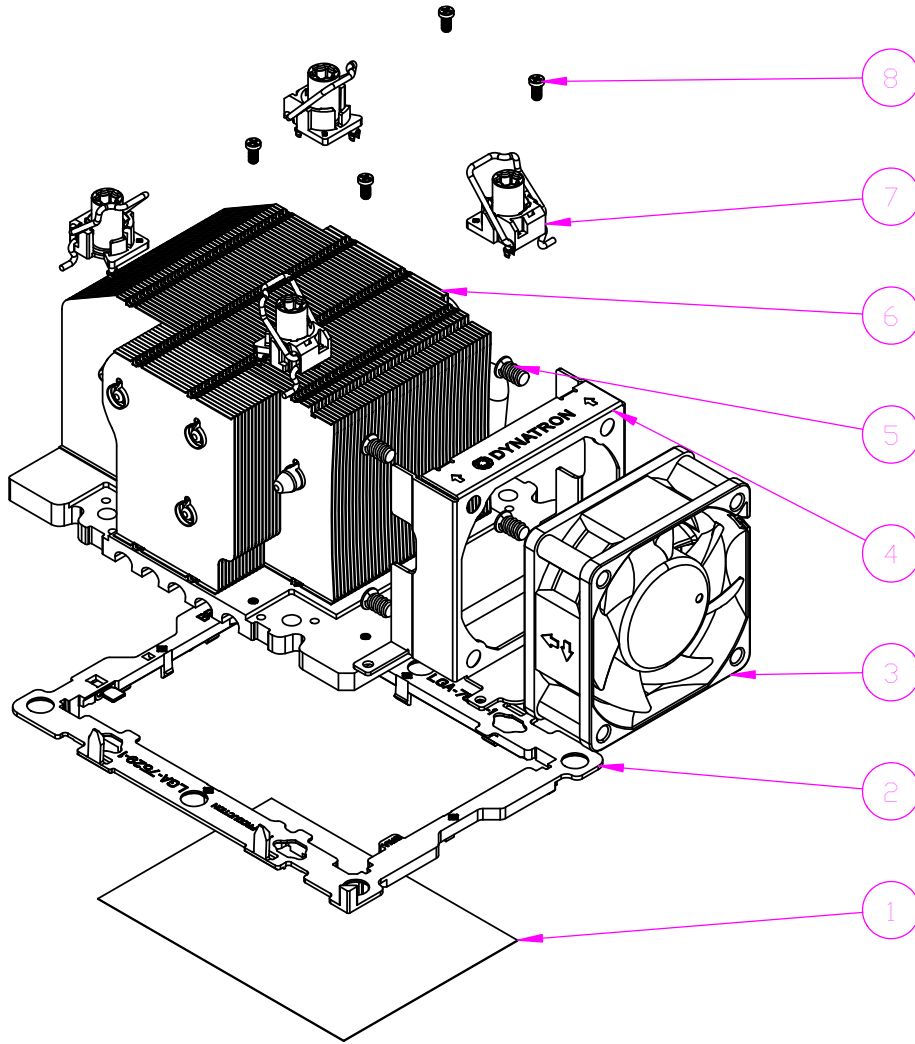
CONFIDENTIAL DOCUMENT

THIS DRAWING CONTAINS INFORMATION PROPRIETARY TO DYNATRON CORPORATION AND DYNAEON INDUSTRIAL CO., LTD. ANY REPRODUCTION, DISCLOSURE, OR USE OF THIS DRAWING IS EXPRESSLY PROHIBITED EXCEPT AS DYNATRON CORPORATION AND DYNAEON INDUSTRIAL CO., LTD. MAY OTHERWISE AGREE TO IN WRITING.

REV#	DESCRIPTION	CHECKER	DATE
0.0	INITIAL RELEASE	JUN	08/11/23

B


B



A

A

ITEM #	DESCRIPTION	MATERIAL	QTY.
8	SCREW, BRACKET HEAT SINK	STEEL	4
7	ANTI-TILT RETENTION KIT	PLASTIC NUT, STEEL WIRE	4
6	HEAT SINK	AL BASE, AL FIN, CU HEAT PIPE	1
5	SCREW, BRACKET FAN	STEEL	4
4	BRACKET, FAN	ALUMINUM	1
3	FAN, DF126028BU-PWM	PLASTIC	1
2	PACKAGE CARRIER	PLASTIC FRAME, STEEL RELEASE HANDLE	1
1	THERMAL GREASE	SHIN-ETSU 7762	N/A

	DATE	NAME	 DYNATRON CORPORATION <small>TOP MOTOR</small>
DRAWN	8/11/2023	JUN	
CHECKED	8/11/2023	JUN	
ENG.APPR.			
MFG.APPR.			
COMMENTS:			TITLE: 2U ACTIVE COOLER C2 BOM & exploded Assembly Drawing
			DWG. NO. DNY-EP-C2
			REV 0.0

NOTES:
THE FIGURE IS FOR REFERENCE ONLY, AND NOT FOR SCALE

2

1